

Vector Frame Kit 11

VF-K-11

The innovative, contemporary and clean appearance of the Vector Frame™ line of exhibit kits will captivate your audience. Kits feature push-fit fabric graphics, easy-to-assemble extrusion frames, accent lighting, tables, counters, literature accessories, monitor mounts and interior LED edge lighting where indicated.



features and benefits:

- 50mm silver extrusion frame
- Single-sided SEG dye-sublimated push-fit fabric graphics
- Includes one center literature rack
- Kit includes frame, two fabric graphic panels, two rigid graphic accents, two 120 watt lights, literature rack and one wheeled molded case
- Lifetime hardware warranty against manufacturer defects

dimensions:

Hardware	Graphic
<p>Assembled unit: 119.5" w x 102" h x 22.75" d 3028mm(w) x 2591mm(h) x 578mm(d)</p>	<p>Total visual area: Panels A & D: 51.5" w x 94.5" h 1308mm(w) x 2400mm(h)</p> <p>Panels B & C: 9.81" w x 39.34" h 249mm(w) x 999mm(h)</p>
<p>Shipping</p> <p>Shipping dimensions - ships in 1 case: 1 OCH2 case: 52" l x 30" w x 15" h 1320mm(l) x 760mm(w) x 380mm(h)</p> <p>Approximate shipping weight (entire kit): 94.405 lbs / 42.8 kgs</p>	<p>Please be sure to include a 2" bleed around the perimeter.</p> <p>Refer to related graphic templates for more information</p>

additional information:

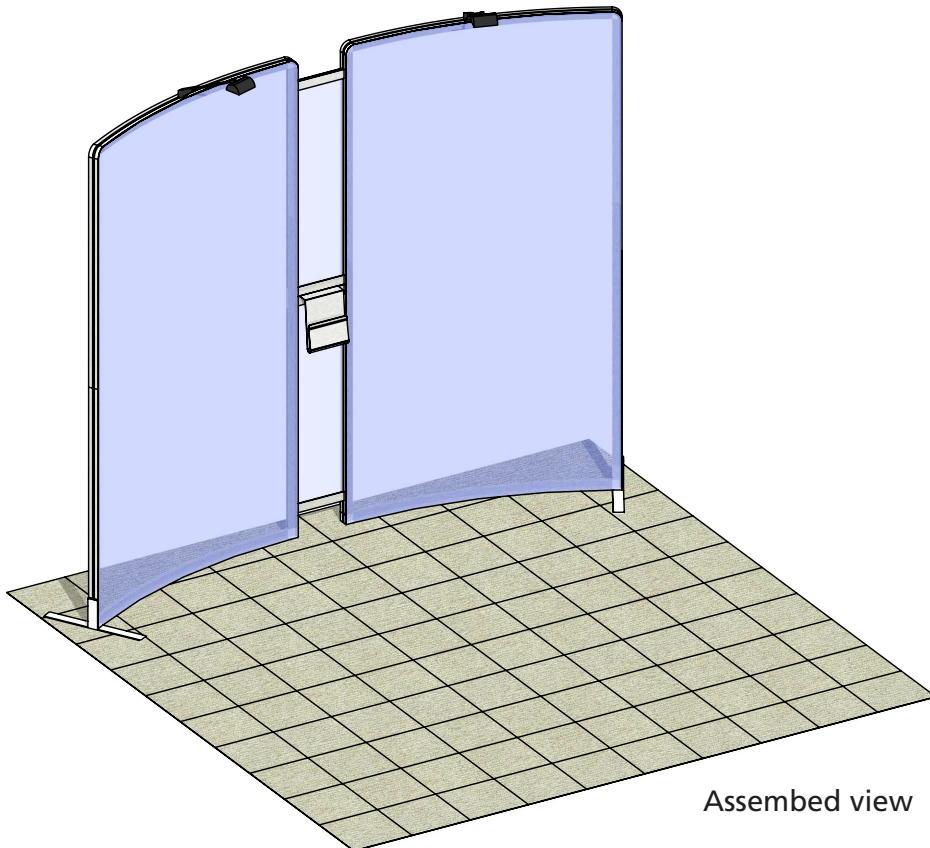
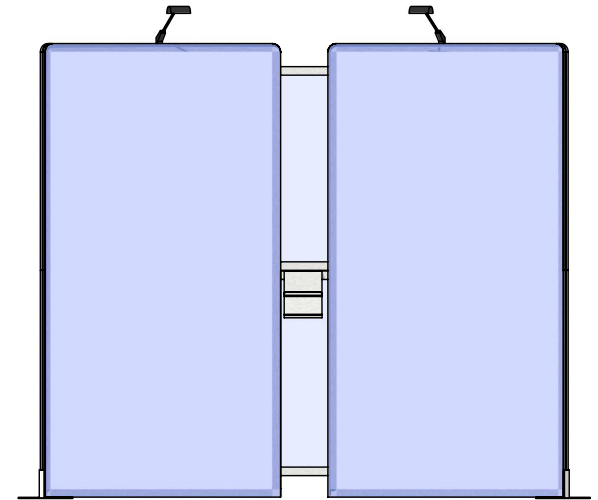
<p>Graphic material: Dye-sublimated fabric</p>	<p>Lights Included: Lumina 200 120 watt floodlight, curved arm, black finish, 19.5" from end to end</p>
--	---

We are continually improving and modifying our product range and reserve the right to vary the specifications without prior notice. All dimensions and weights quoted are approximate and we accept no responsibility for variance. E&OE. See Graphic Templates for graphic bleed specifications.

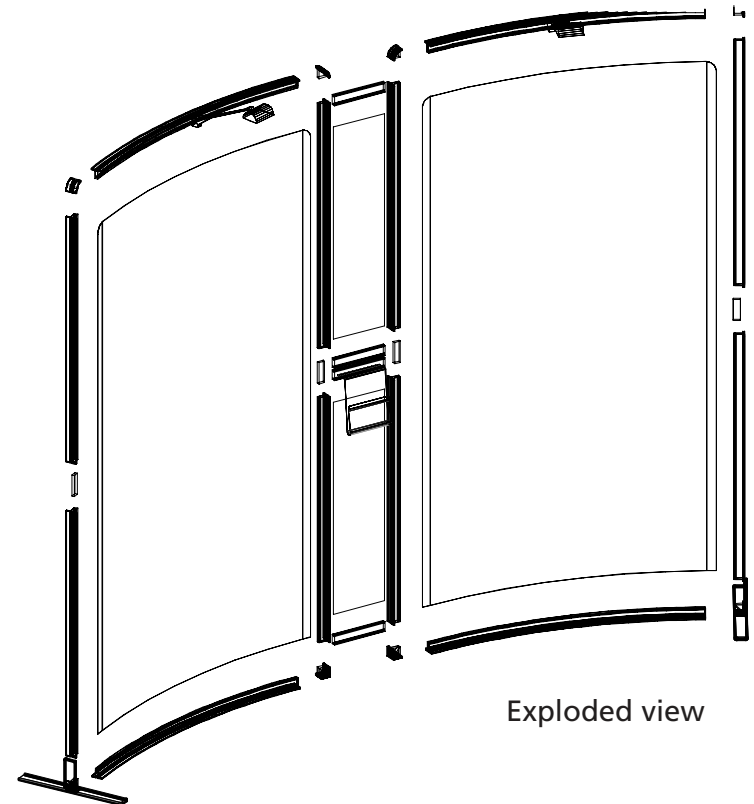
Parts Included:

Code	Qty	Description
VF-K-11-A-G	x1	1308MM (51.5")W X 2400MM(94.5")H FABRIC GRAPHIC W/FCE-2 ALL SIDES
VF-K-11-B-G	x1	1012MM (39.84")W X 262MM (10.31")H PVC GRAPHIC
VF-K-11-C-G	x1	1012MM (39.84")W X 262MM (10.31")H PVC GRAPHIC
VF-K-11-D-G	x1	1308MM (51.5")W X 2400MM(94.5")H FABRIC GRAPHIC W/FCE-2 ALL SIDES
F51	x4	8R PHFC2 EXTRUSION WITH LOCKS TWO ENDS
F34	x8	1155MM (45.47") PHFC2 EXTRUSION - WITH IB2 HOLE ONE SIDE - WITH LOCK ONE END
SW-FOOT	x2	VECTOR FRAME SUPPORT FOOT
IB2	x4	PH INLINE CONNECTOR
CB9-R	x4	50MM ROUND PHCF2 CORNER BRACKET
CB9-S	x4	50MM SQUARE PHCF2 CORNER BRACKET
LUM-200-ORL-B LN-3P-LT-FXT	x2	BLACK 200W HALOGEN LIGHT FIXTURE ETL APPROVED
VE-77	x2	250MM (9.84") PH EXTRUSION WITH LOCKS TWO ENDS
LN112-4	x1	LN112-4

VF-K-11



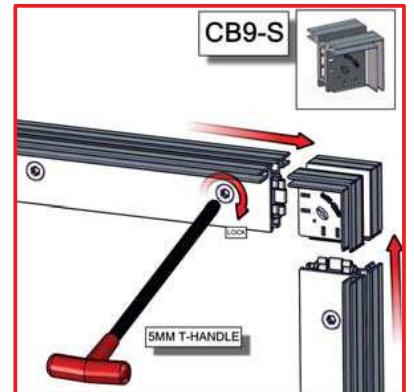
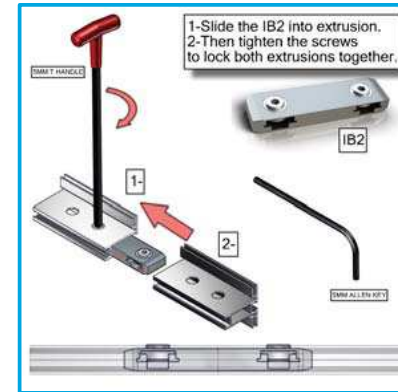
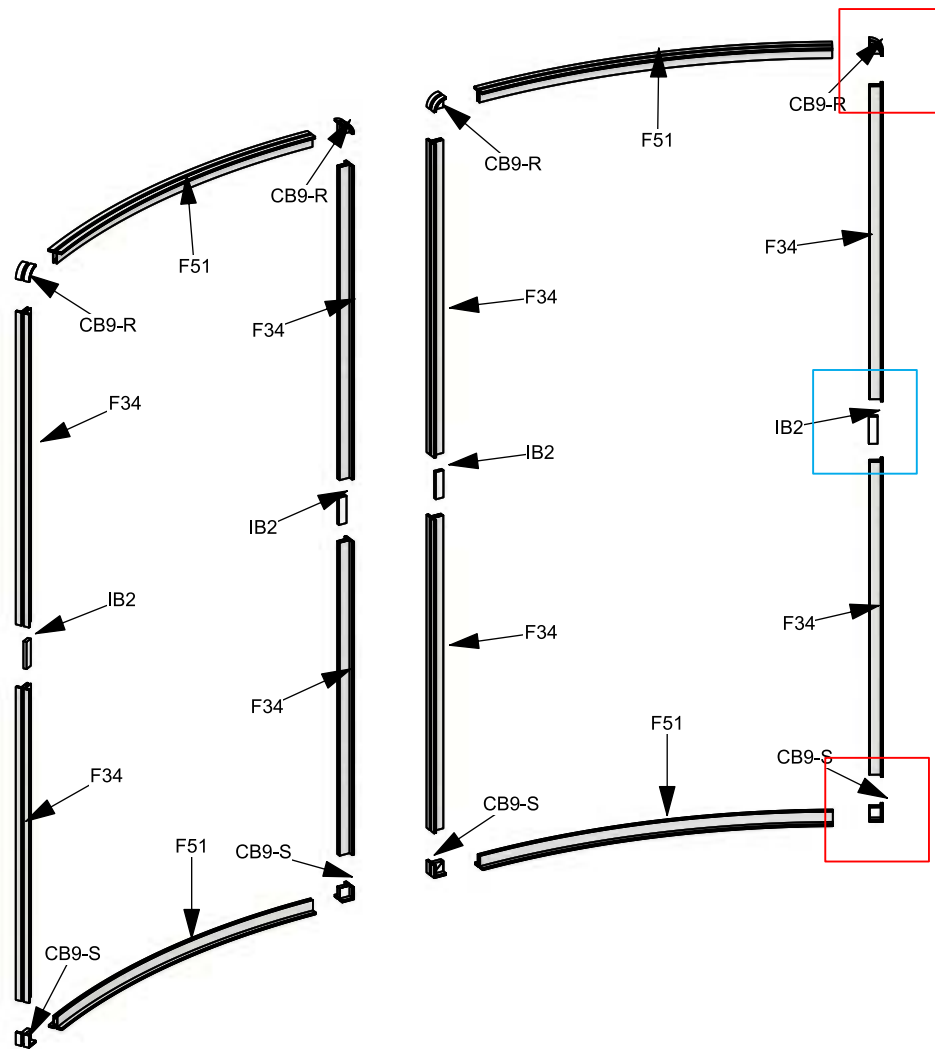
Assembled view



Exploded view

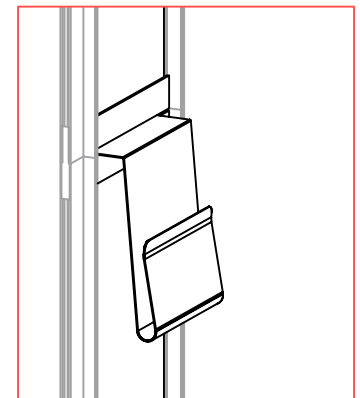
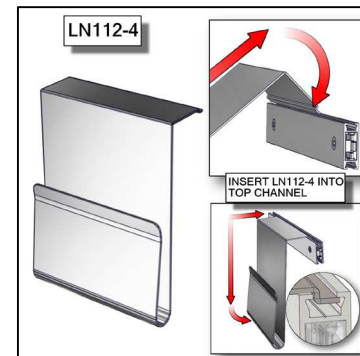
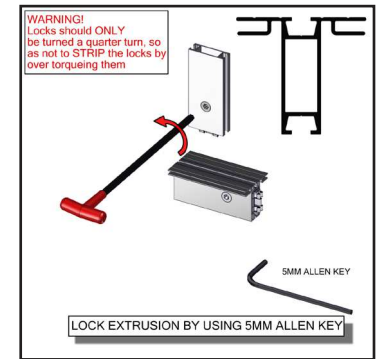
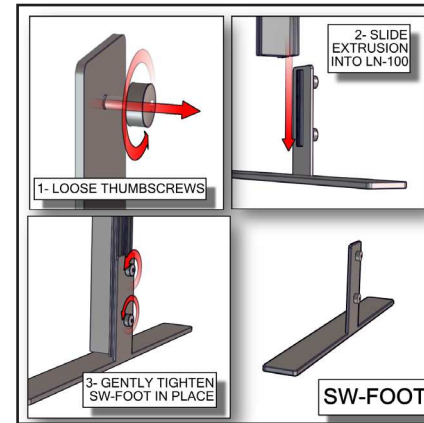
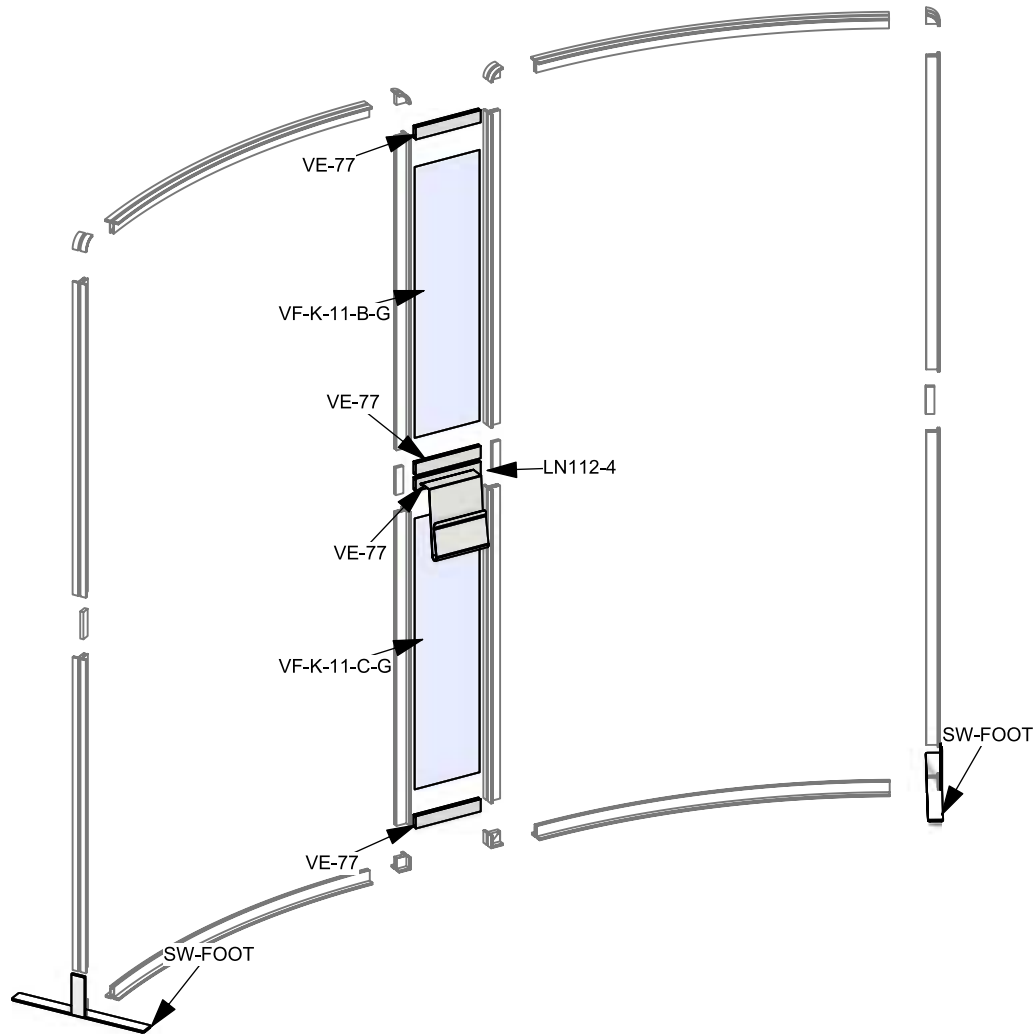
Step 1: Assemble Left & Right Frames

Arrange pieces on the floor as shown in the diagram below. Assemble frame by securing CB9-R's on the top and CB9-S's on the bottom to the F51 and F34s. When locking be sure to turn each cam a little bit and then go back and tighten to the proper tension. Take care to turn locks only half a turn. Slide the IB2 into the extrusion to connect sides. Tighten to the proper tension to lock extrusions together. To adhere foot to frame, loosen thumbscrews from foot. Slide extrusion into LN-100 groove. Tighten to the proper tension to secure supporting feet.



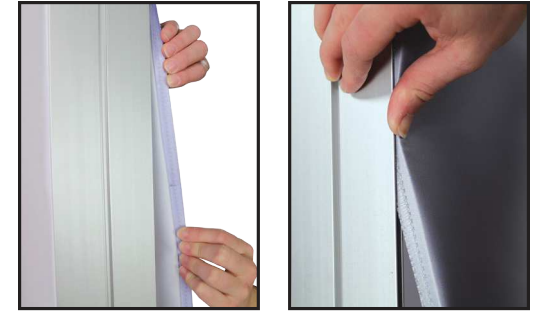
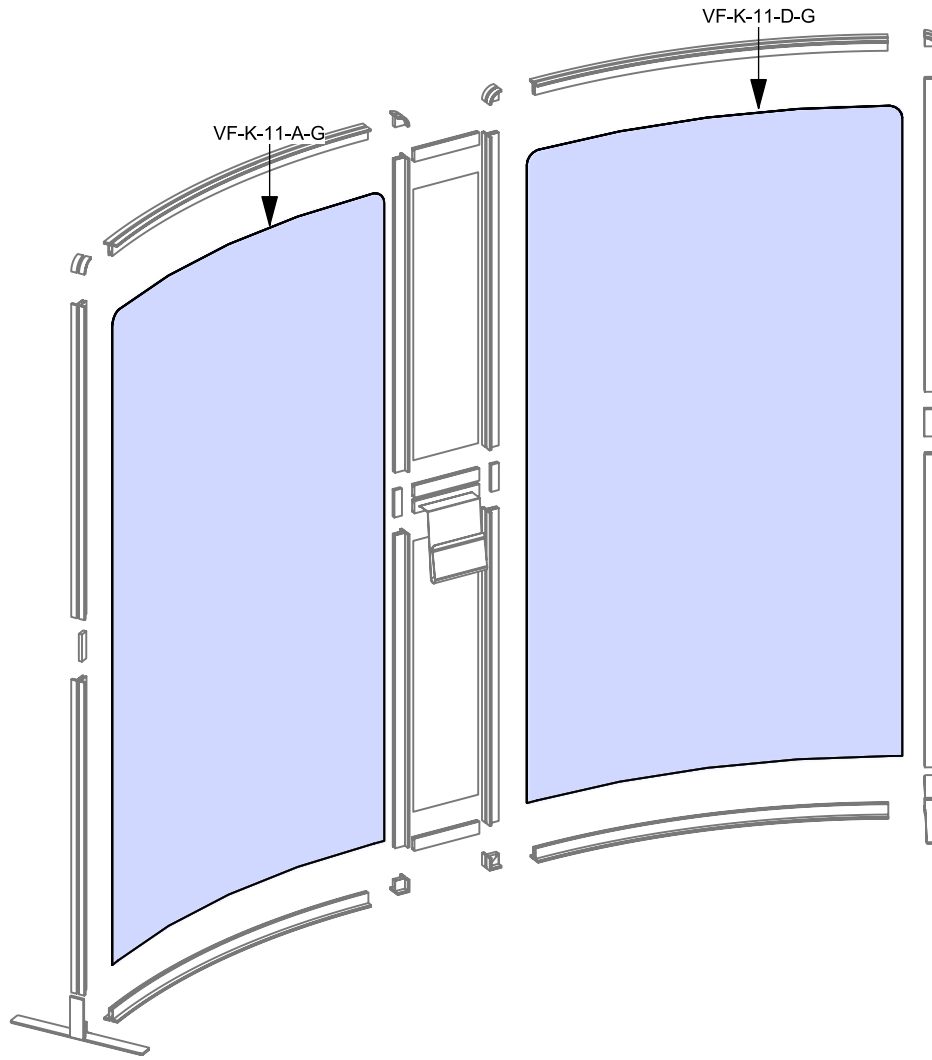
Step 2: Install Center Graphic Panels, Support Feet & Literature Holder

To install center graphic panels, start with bottom VE-77 up 4" from the ground and build up. Lock bottom VE-77 and insert infill graphic VF-K-11-C-G into VE-77 then lock top VE-77. Next, insert litrack into top channel and secure with next VE-77. Insert infill VF-K-11-B-G then secure top VE-77. To adhere foot to frame, loosen thumbscrews from foot. Slide extrusion into LN-100 groove. Tighten to the proper tension to secure supporting feet. To install literature holder, insert LN112-4 into top extrusion channel of VE-77.

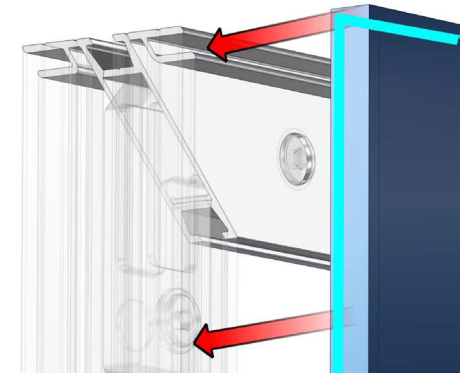


Step 3: Apply Graphics

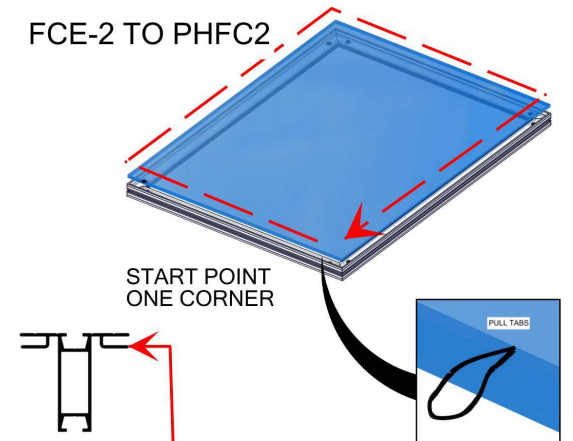
Install graphic(s) by pressing the FCE-2 edge of graphic into the channel of the extrusion. Start in upper left corner and insert in remaining corners, then push graphic into each side. Assure graphic is tightly inserted. When taking graphics off, take care to gently pull by attached pull tab.



FCE-2 TO PHFC2



FCE-2 TO PHFC2



Install graphic by pressing the FCE-2 into the channels of PHFC2 extrusion. To pull graphics out of the channels, use tabs on the front side

Step 4: Install Lights

Slide light clip onto each light. Then slide light into the extrusion channel at an angle and gently lower down and repeat for each light.

