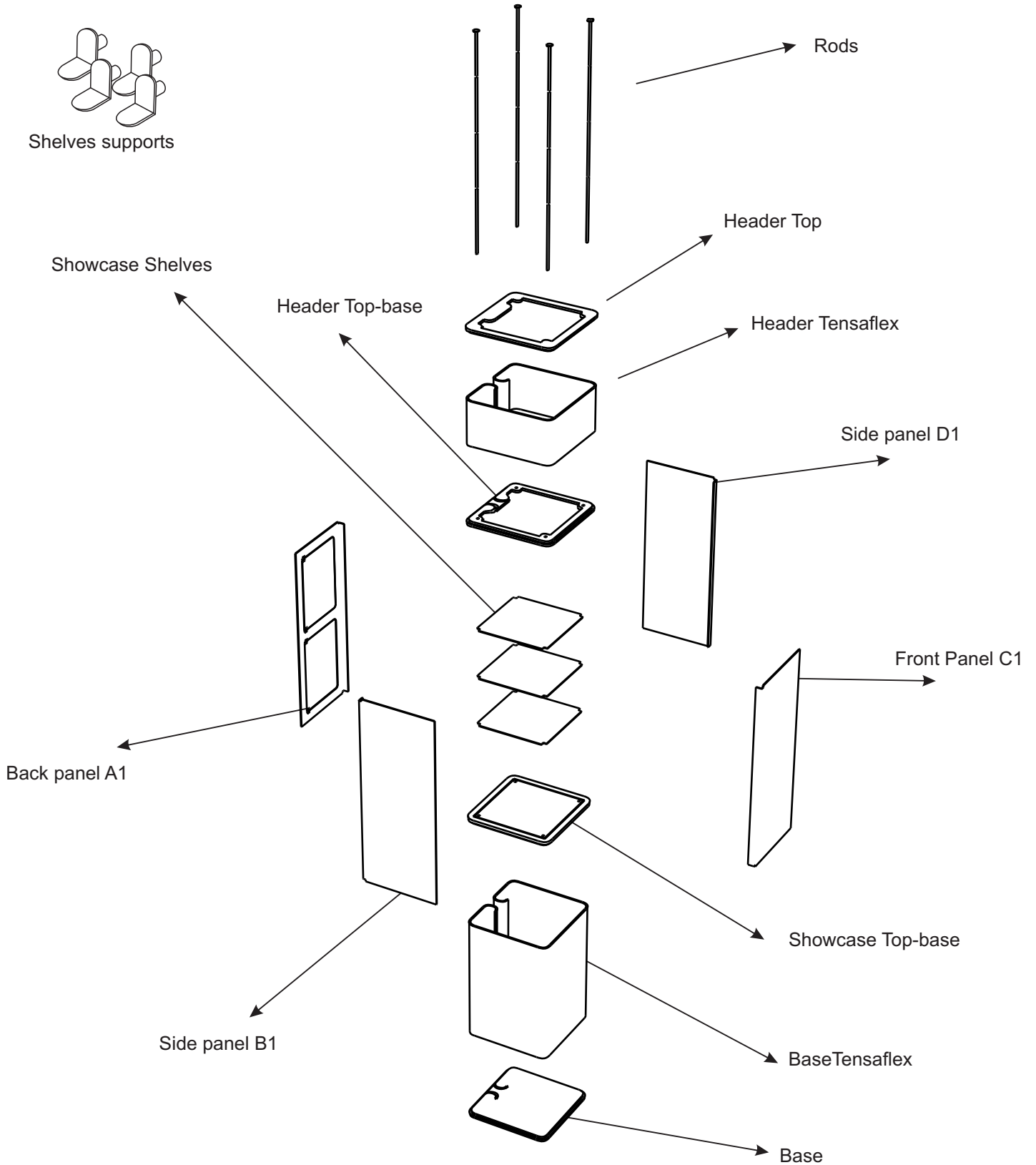


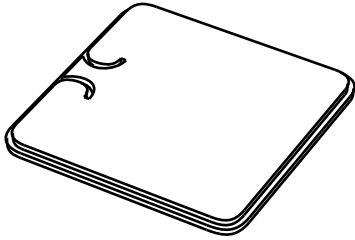
SOLO GLASS COUNTER SQUARE

PARTS

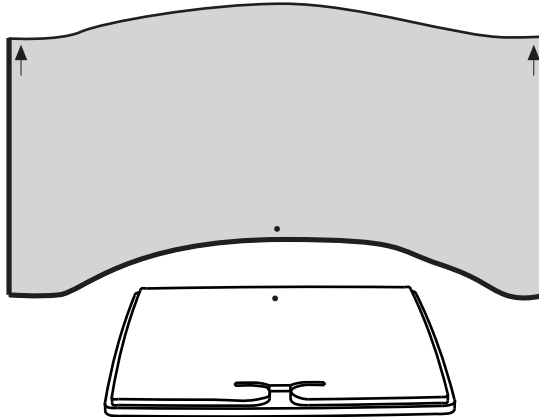


SOLO GLASS COUNTER SQUARE

ASSEMBLING

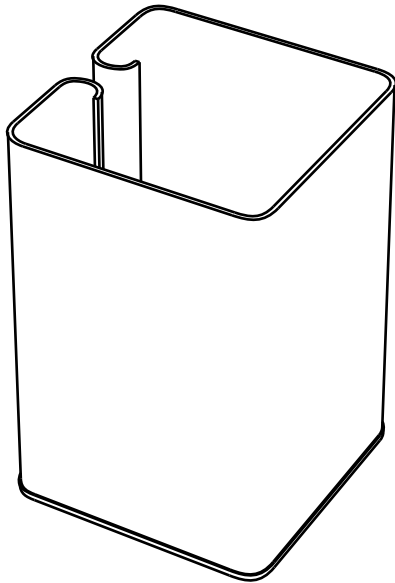
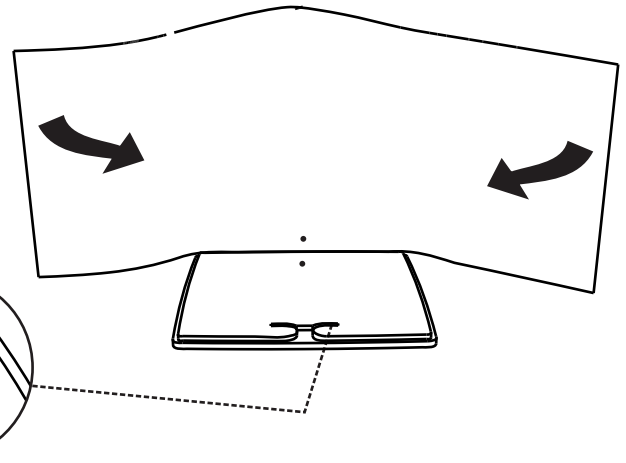


Step 1 Place the base on the floor.



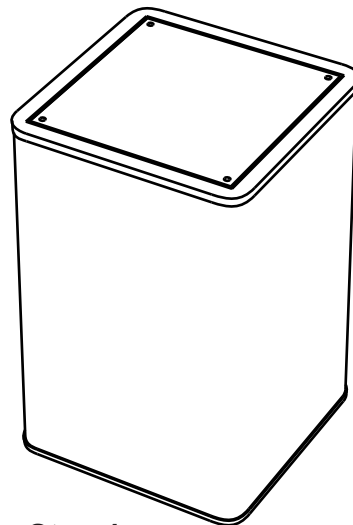
Pair the Tensaflex with the Hook & Loop's base by matching the dot in the center.

Step 2



Step 3

Put the Tensaflex all the way around the base and make sure it is tight

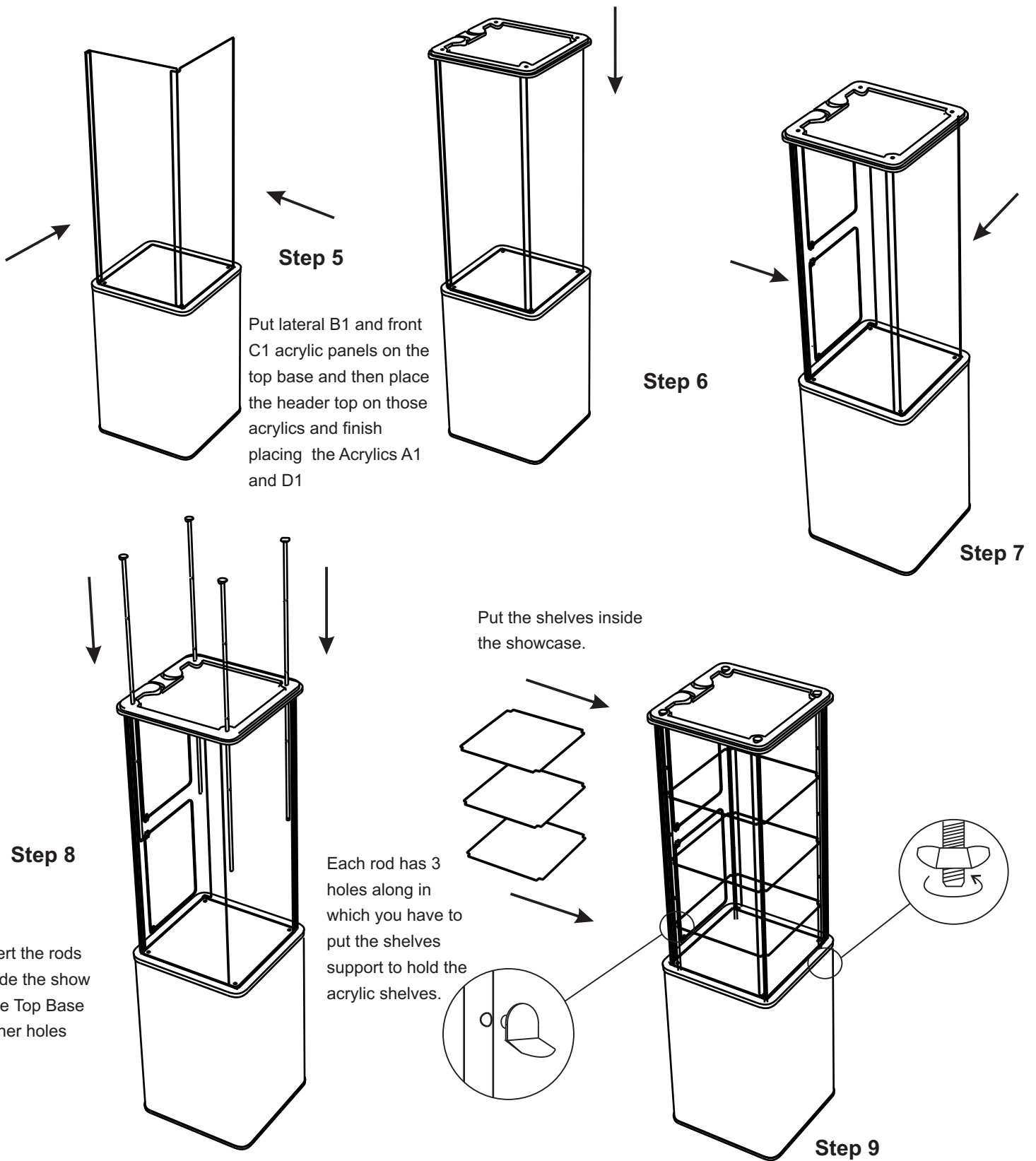


Step 4

Set the top base on the Tensaflex and push it down

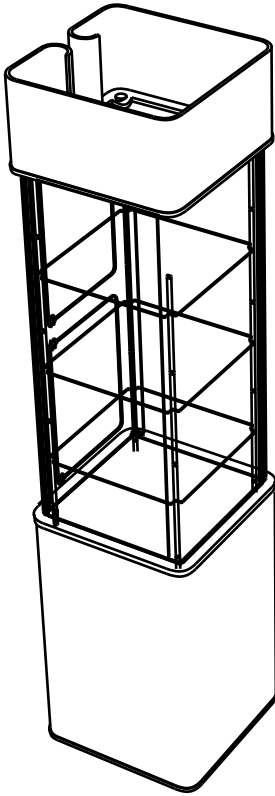
SOLO GLASS COUNTER SQUARE

ASSEMBLING

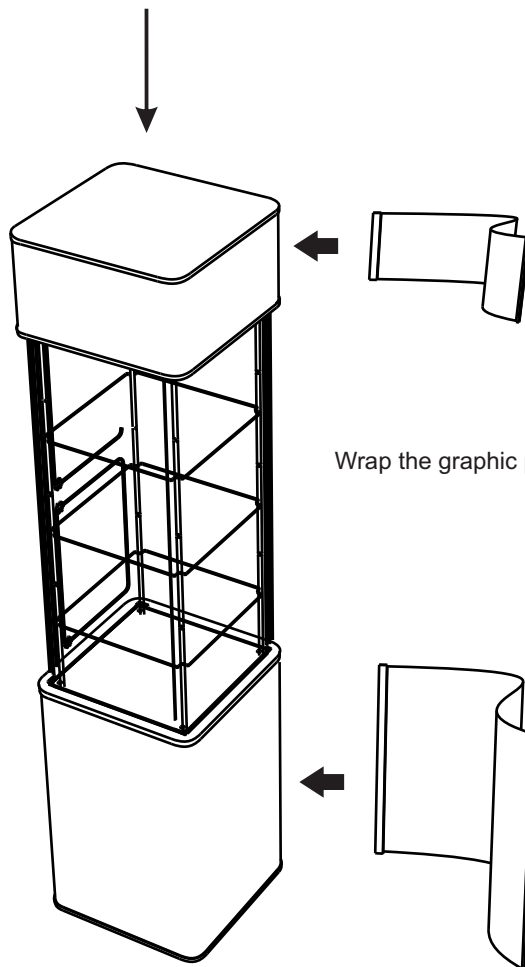
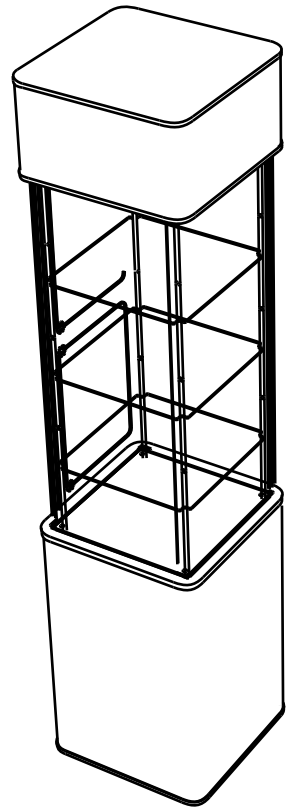


SOLO GLASS COUNTER SQUARE

ASSEMBLING



Pair the Header Tensaflex with Velcro's Header top base and then put the Header top on it.



Wrap the graphic panels around the Tensaflex.