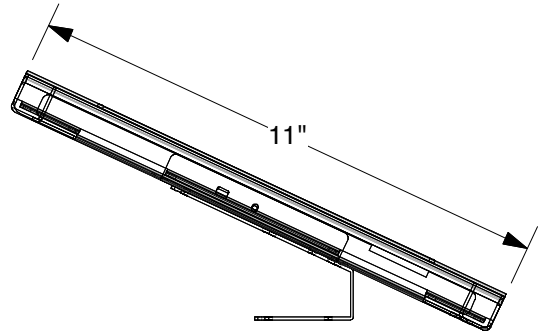
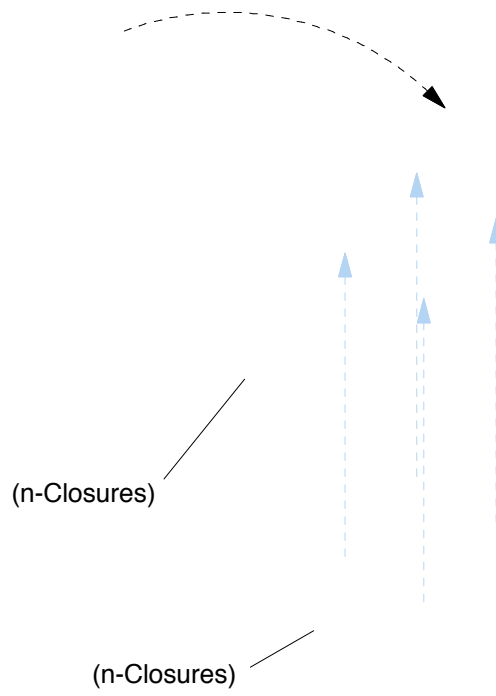


PLAN VIEW



LEFT VIEW



3D VIEW