

# Hybrid Pro Counter 10

## REC-53

All Hybrid Pro™ Modular counters feature accessible storage and locking doors. Purchased printed fabric graphics or rigid infill panels allow for your messaging and branding.



## features and benefits:

- White laminate cabinet
- UV graphic, printed on Sintra or on acrylic for back-lighting
- Locking storage door in back
- Easy step-by-step instructions
- Kit includes laminated cabinet, locking storage door, one vinyl graphic and one woodcrate case
- Lifetime hardware warranty against manufacturer defects

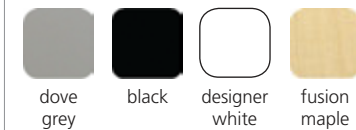
## dimensions:

Hardware	Graphic
<p>Assembled unit: 64" w x 37.5" h x 30" d 1625.6mm(w) x 952.5mm(h) x 762mm(d)</p> <p>Counter holds max weight 100 lbs / 45.35 kgs</p>	<p>Total visual area: 57.25" w x 30" h 1454.15mm(w) x 762mm(h)</p> <p>Please be sure to include a 2" bleed around the perimeter.</p> <p>Refer to related graphic templates for more information</p>
Shipping	
<p>Shipping dimensions - ships in 1 woodcrate: 1 WOODCRATE case: 72" l x 48" w x 39" h 1828.8mm(l) x 1219.2mm(w) x 990.6mm(h)</p> <p>Approximate shipping weight (entire kit): 486 lbs / 220.4 kgs</p>	

## additional information:

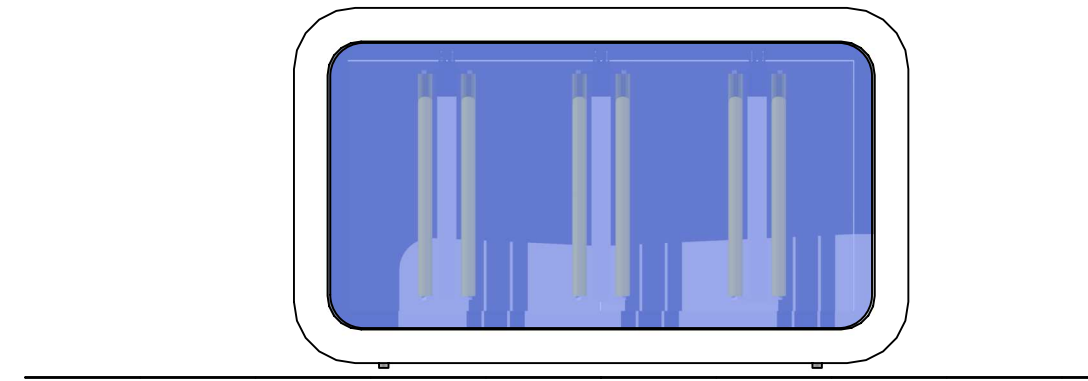
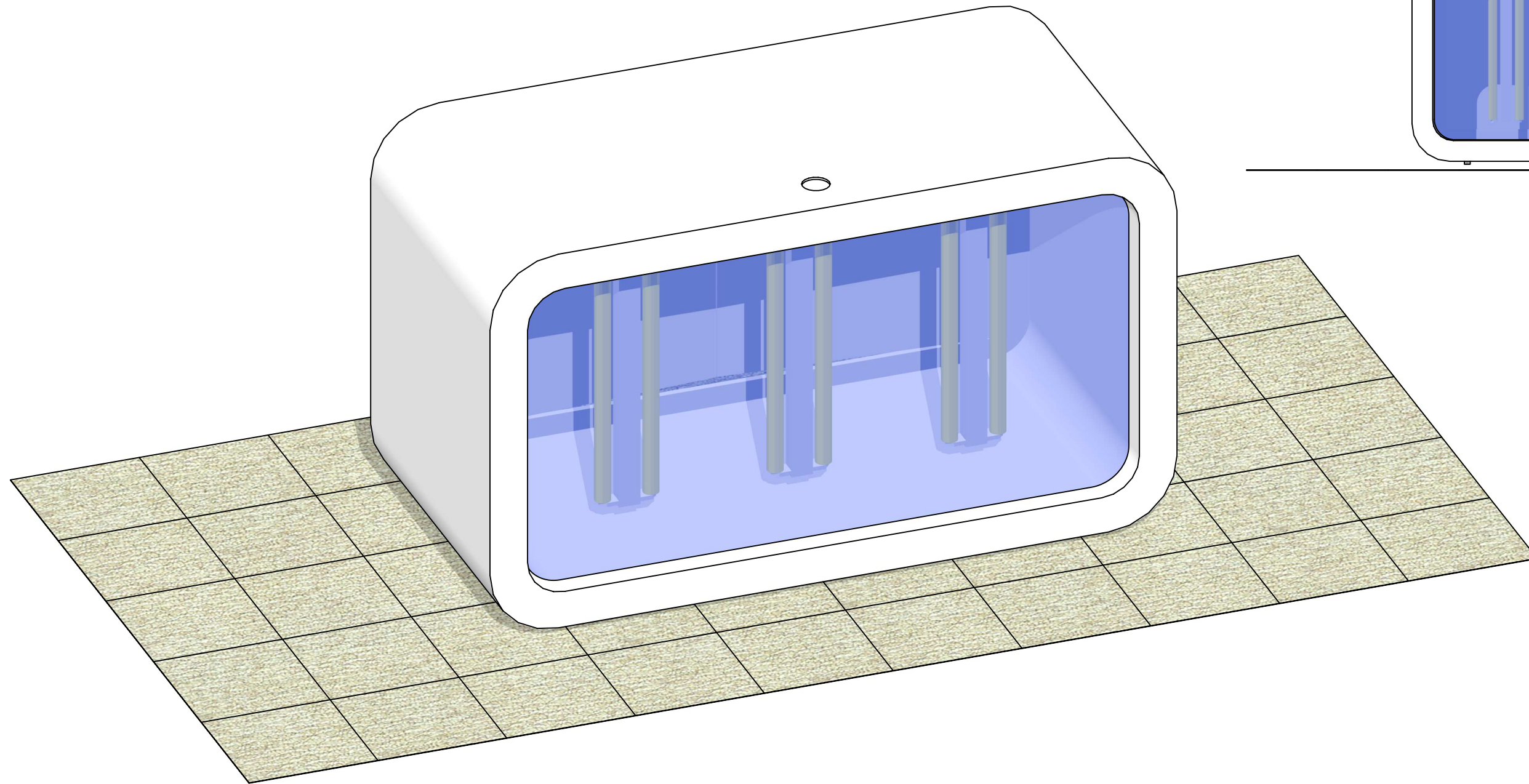
Graphic material:  
UV graphic, printed on Sintra or acrylic for back-lighting

Laminate counter color options:



We are continually improving and modifying our product range and reserve the right to vary the specifications without prior notice. All dimensions and weights quoted are approximate and we accept no responsibility for variance. E&OE. See Graphic Templates for graphic bleed specifications.

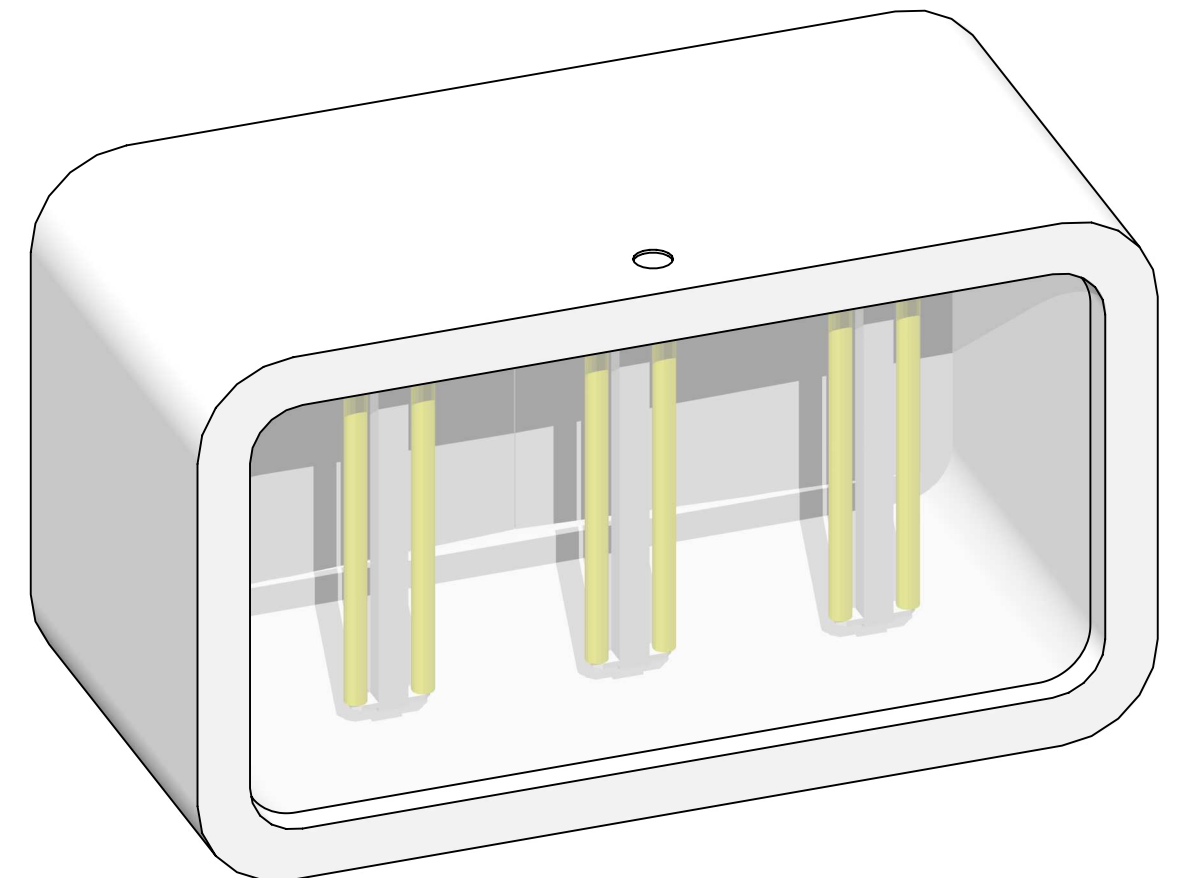
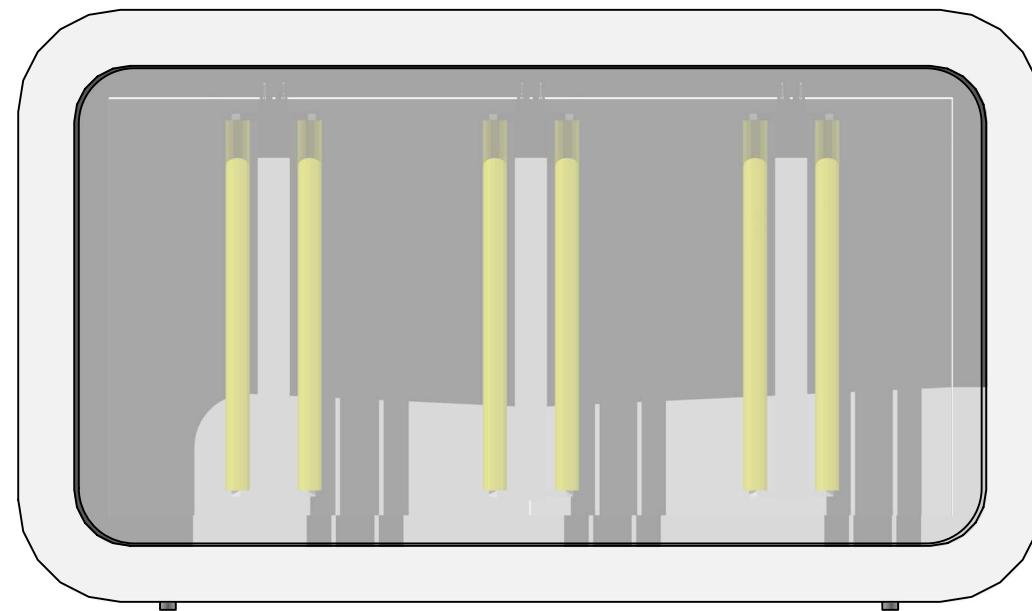
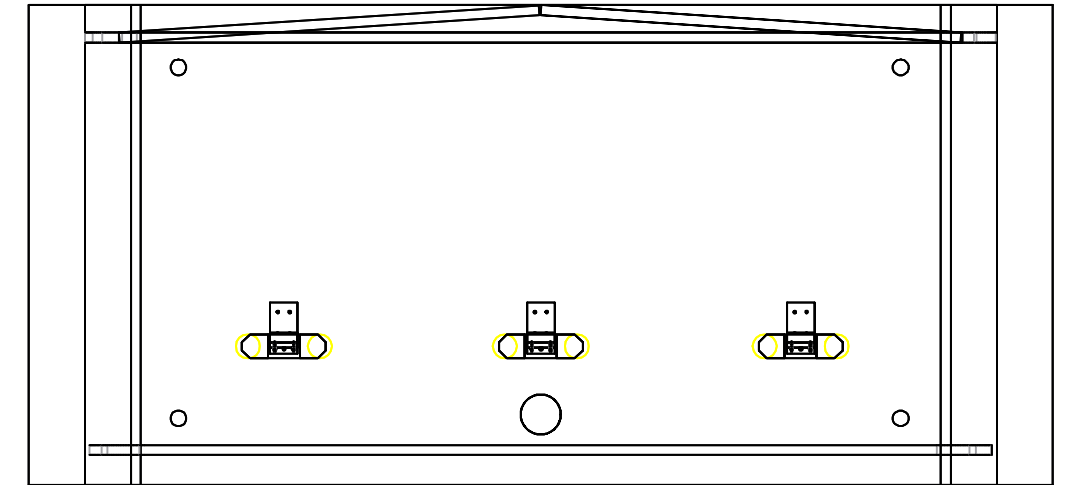
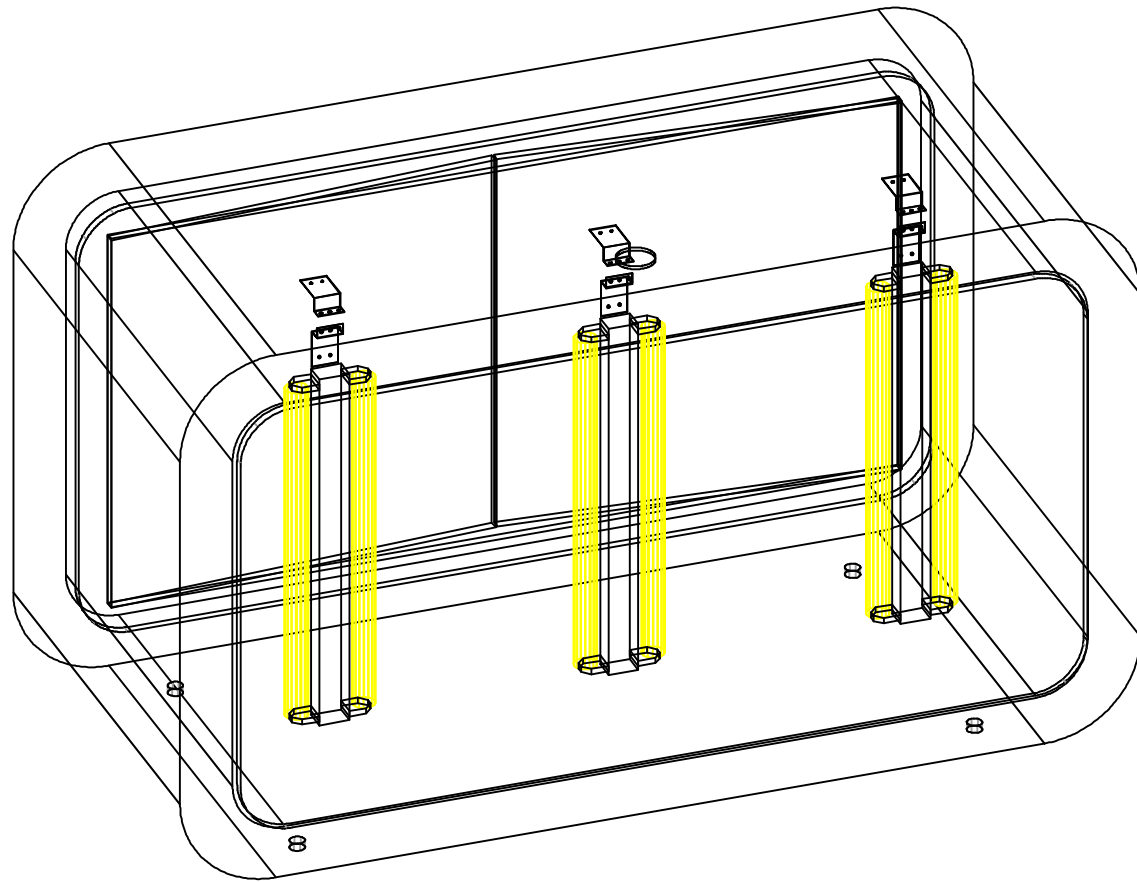
**R-REC-53**



Code	#	Description
REC COUNTER 53	1	40" (V) X 30" X 64" 1 PIECE BUTTRUSS STYLE RECEPTION COUNTER (RENTAL)
GRAPHIC E	1	29.96"H X 56.6"W BACKLIT DSG GRAPHIC ON 6MM PET-G WITH ROUNDED CORNERS
LF2	6	CONNECTING HOOK BETWEEN FLUORESCENT LIGHT FIXTURES
L1221-M	3	2'N 20 WATT DOUBLE FLORESCENT LIGHT

# BOM

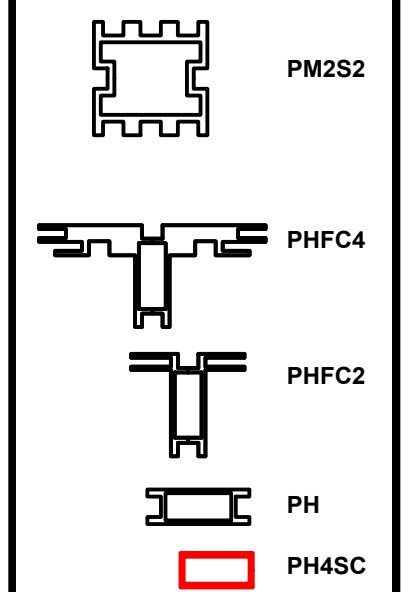
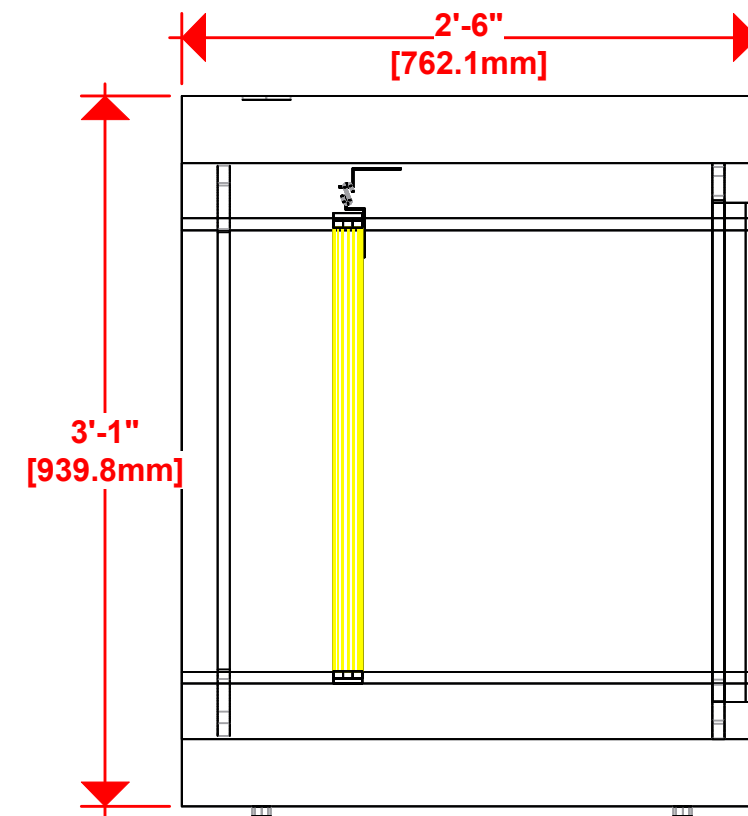
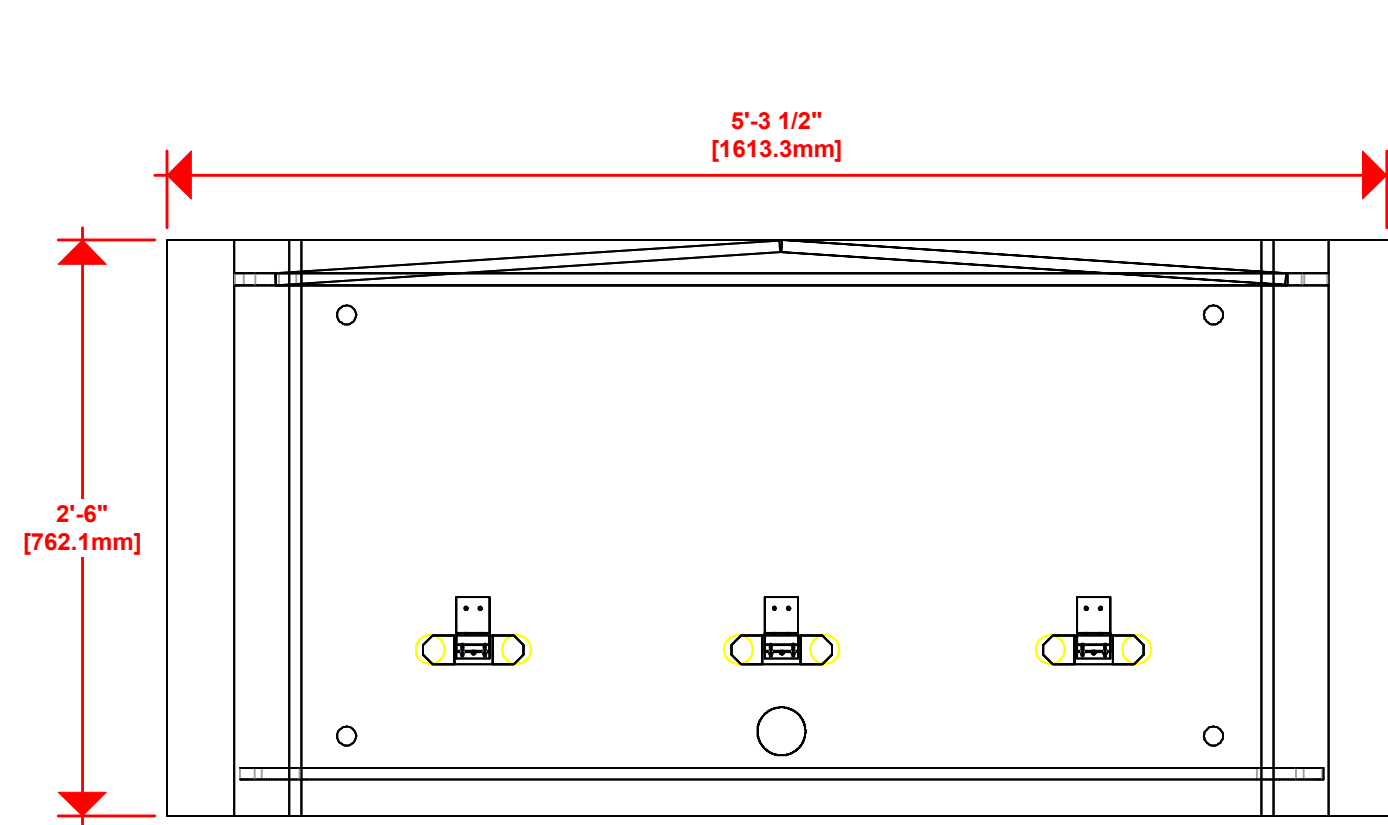
R-REC-53



1. Redesign of this exhibit without approval by manufacturer may result in dangerous and unsafe structures. Manufacturer disclaims any responsibility for redesigned exhibits it does not approve in writing.

2. Parts and components such as panels and extrusions are manufactured to metric sizing. Where ever possible sizes have been noted in feet and inches as well as in metric. Below is the imperial to metric sizing table as reference. "Nominal" refers to approximate size.

- |                    |                                   |
|--------------------|-----------------------------------|
| 2400mm = (94 1/2") | ☐ Phone Line / Fax                |
| 2100mm = (82 5/8") | ⚡ Internet connection             |
| 1800mm = (70 7/8") | ⚡ Outlet                          |
| 1500mm = (59")     | ⚡ Main Drop (point of distrution) |
| 1200mm = (47 1/4") |                                   |
| 900mm = (35 1/2")  |                                   |
| 600mm = (23 5/8")  |                                   |
| 300mm = (11 7/8")  |                                   |
- Wire running under carpet

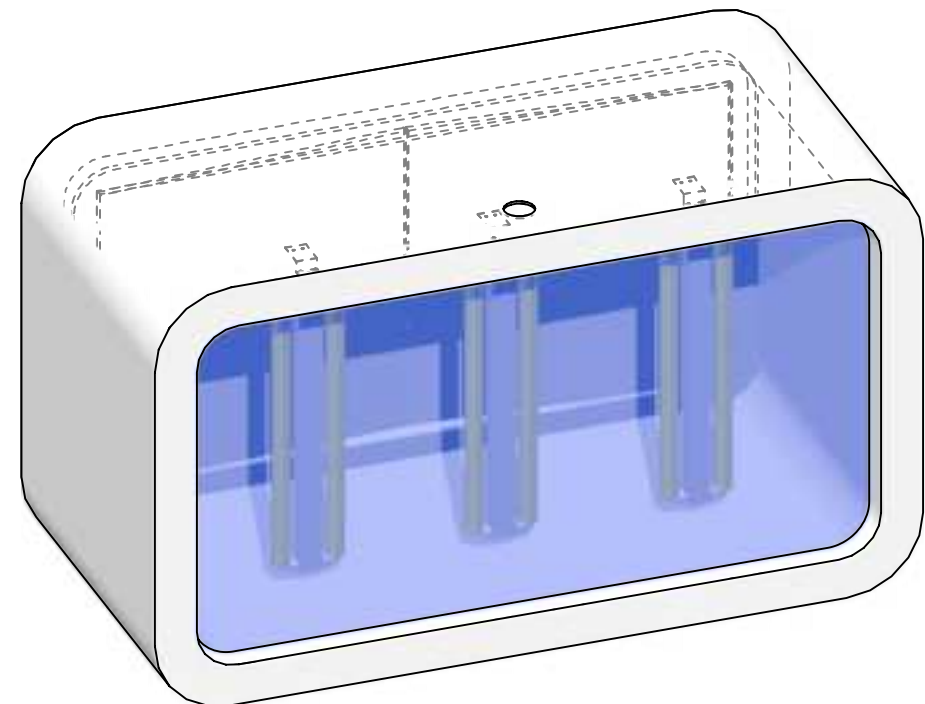
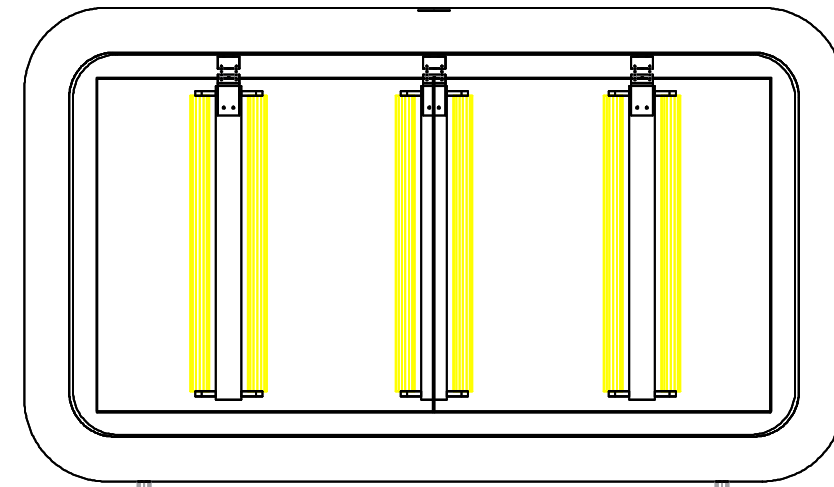
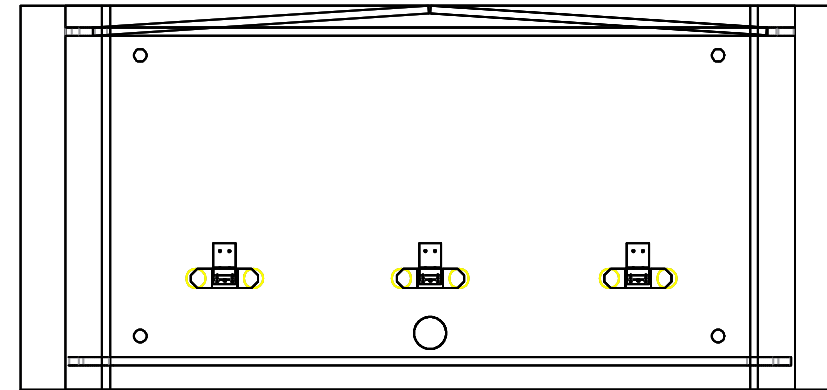
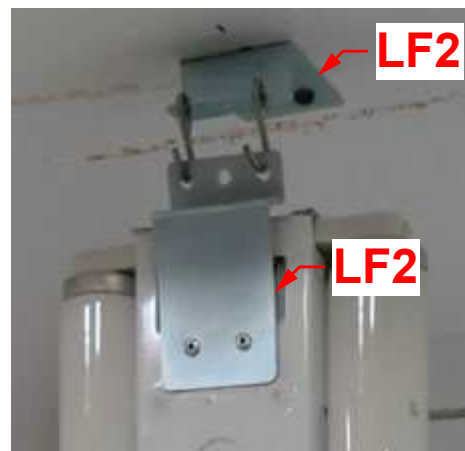
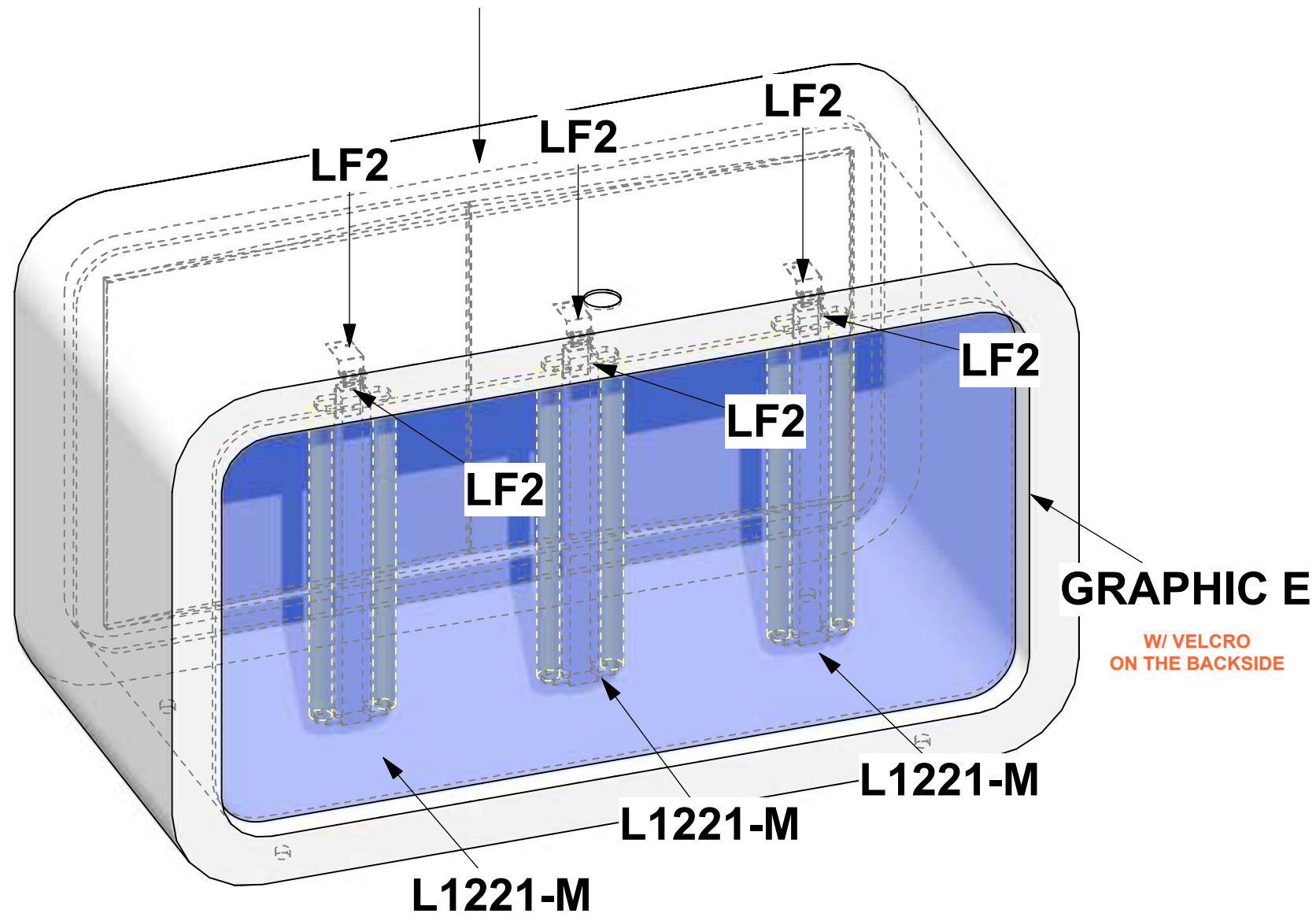


**HYBRID PRO RENTAL KIT**

Title: SET-UP INSTRUCTIONS

Code	#	Description
REC COUNTER 53	1	40" (V) X 30" X 64" 1 PIECE BUTTRUSS STYLE RECEPTION COUNTER (RENTAL)
GRAPHIC E	1	29.96"H X 56.6"W BACKLIT DSG GRAPHIC ON 6MM PET-G WITH ROUNDED COR
LF2	6	CONNECTING HOOK BETWEEN FLUORESCENT LIGHT FIXTURES
L1221-M	3	2'N 20 WATT DOUBLE FLORESCENT LIGHT

## REC COUNTER 53

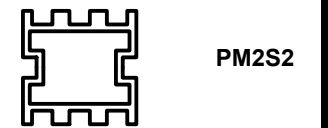


1. Redesign of this exhibit without approval by manufacturer may result in dangerous and unsafe structures. Manufacturer disclaims any responsibility for redesigned exhibits it does not approve in writing.

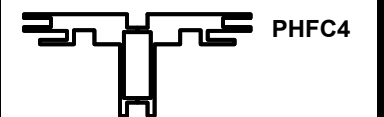
2. Parts and components such as panels and extrusions are manufactured to metric sizing. Where ever possible sizes have been noted in feet and inches as well as in metric. Below is the imperial to metric sizing table as reference. "Nominal" refers to approximate size.

2400mm = (94 1/2")	▼ Phone Line / Fax
2100mm = (82 5/8")	▼ Internet connection
1800mm = (70 7/8")	▼ Outlet
1500mm = (59")	▼ Main Drop (point of distrution)
1200mm = (47 1/4")	
900mm = (35 1/2")	
600mm = (23 5/8")	
300mm = (11 7/8")	

--- Wire running under carpet



PM2S2



PHFC4



PHFC2



PH



PH4SC

HYBRID PRO RENTAL KIT

Title: SET-UP INSTRUCTIONS





# **PACKING INSTRUCTIONS**



1

1 R-REC-53

# CASE # 1

LEGEND	
	GREY FOAM FOLDED TO FILL EMPTY SPACES OR USED AS PROTECTION
	1/8" CARDBOARD SPACER (PUT IN BETWEEN EVERY PANEL)
	DIVIDER
	1/4" WHITE FOAM (USED AS PROTECTION DOOR PANELS W/LOCKS)



WOODCRATE