

# Hybrid Pro Counter 11

## RCK-06

All Hybrid Pro™ Modular counters feature accessible storage and locking doors. Purchased printed fabric graphics or rigid infill panels allow for your messaging and branding.



## features and benefits:

- White laminate panel cabinet
- UV graphic
- Laminated counter top available in choice of four colors
- Locking storage door in back
- Easy step-by-step instructions
- Kit includes laminated cabinet, locking storage door, one vinyl graphic and one molded case
- Lifetime hardware warranty against manufacturer defects

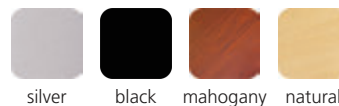
## dimensions:

Hardware	Graphic
<p>Assembled unit: 71.06" w x 36.61" h x 32.72" d 1806.7mm(w) x 930.4mm(h) x 831.85mm(d)</p> <p>Counter holds max weight 50 lbs / 22.86 kgs</p>	<p>Total visual area: 79.4375" w x 35.1875" h</p> <p>Please be sure to include a 2" bleed around the perimeter.</p> <p>Refer to related graphic templates for more information</p>
Shipping	
<p>Shipping dimensions - ships in 1 case: 1 OCF2 case: 51" l x 51" w x 24" h 1295.4mm(l) x 1295.4mm(w) x 609.6mm(h)</p> <p>Approximate shipping weight (entire kit): 190 lbs / 86 kgs</p>	

## additional information:

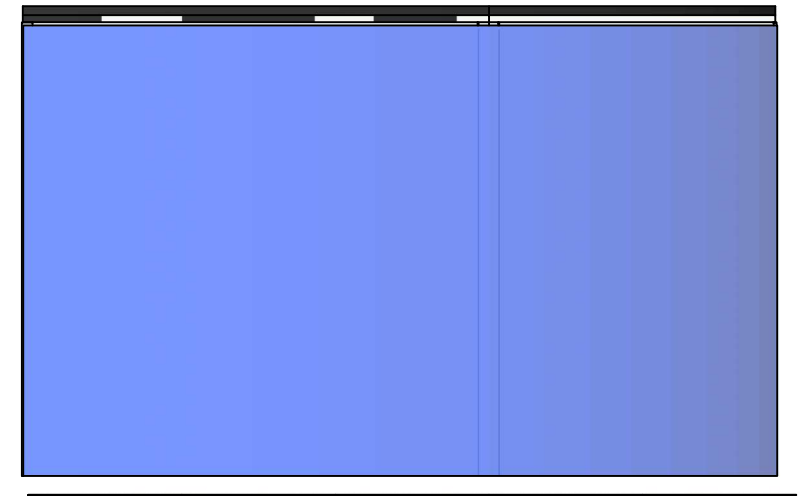
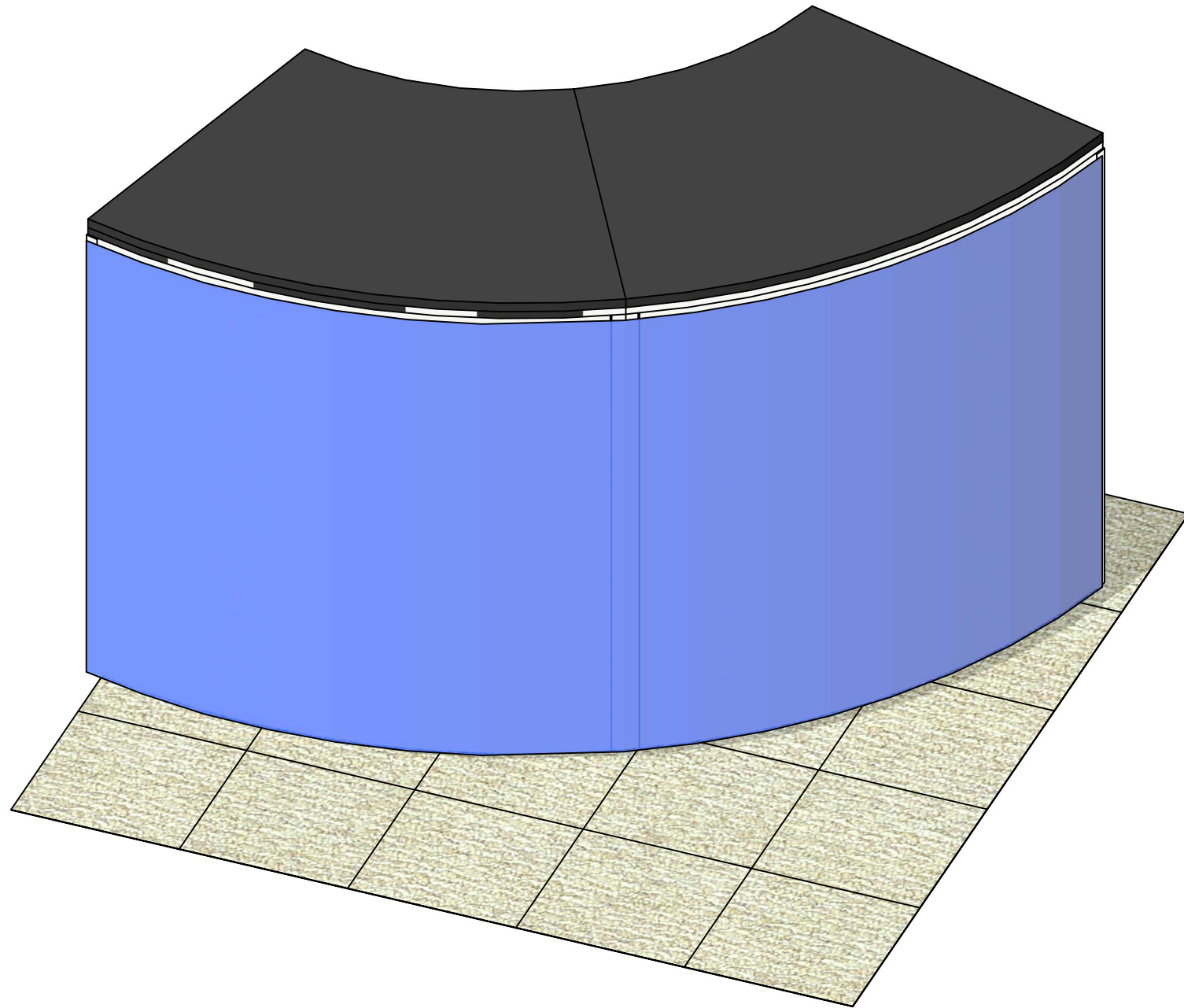
Graphic material:  
UV graphic

Tabletop color options:



We are continually improving and modifying our product range and reserve the right to vary the specifications without prior notice. All dimensions and weights quoted are approximate and we accept no responsibility for variance. E&OE. See Graphic Templates for graphic bleed specifications.

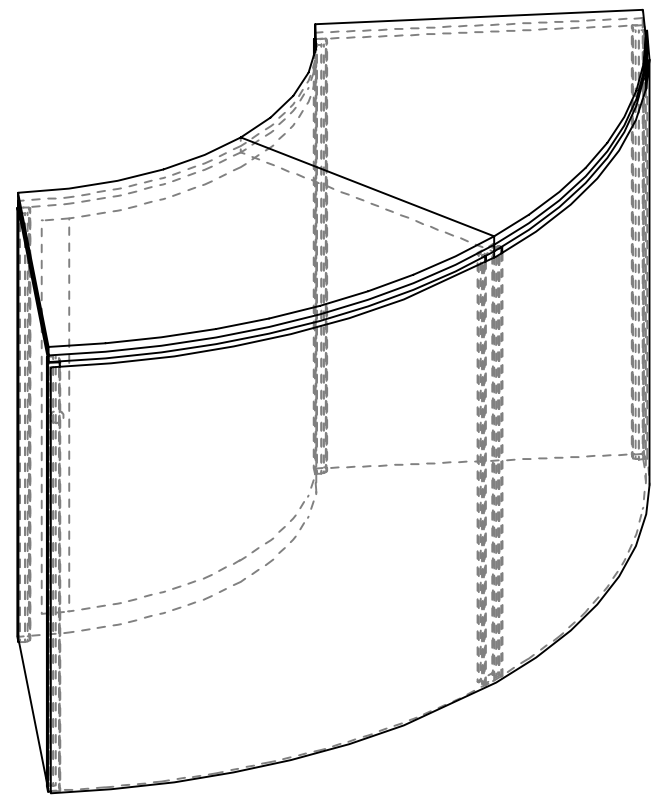
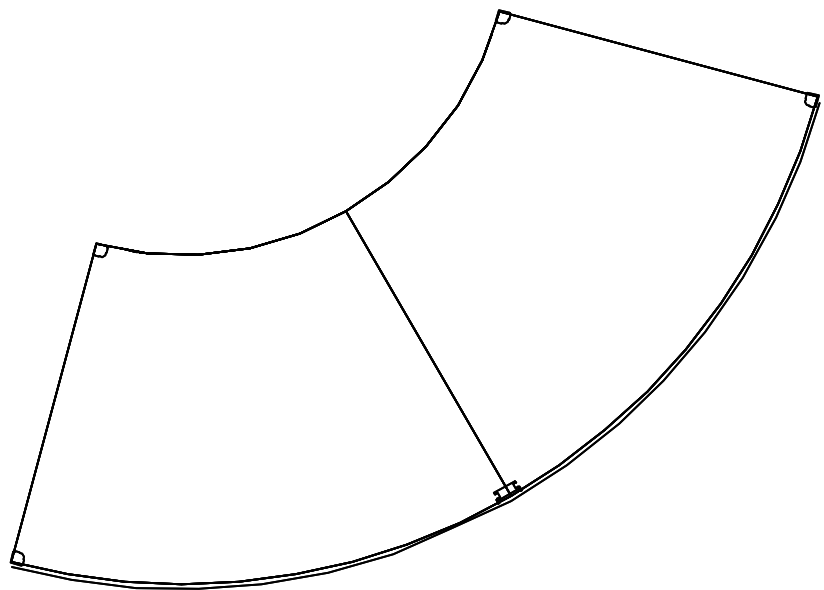
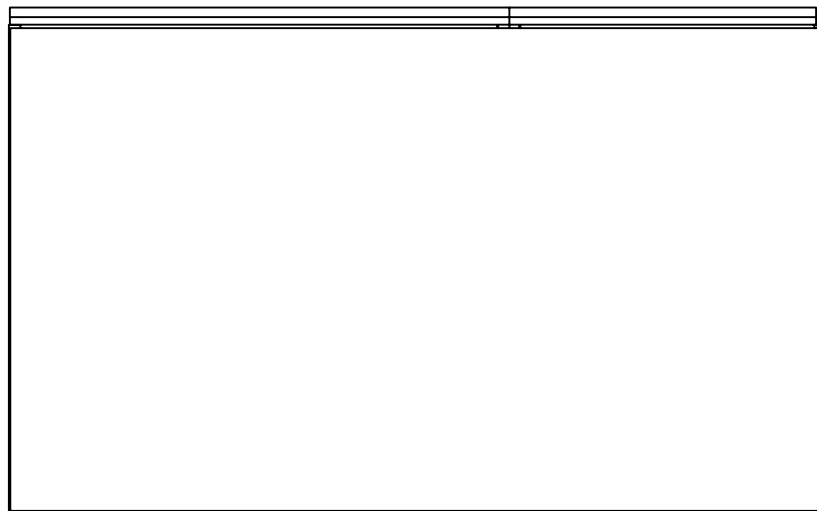
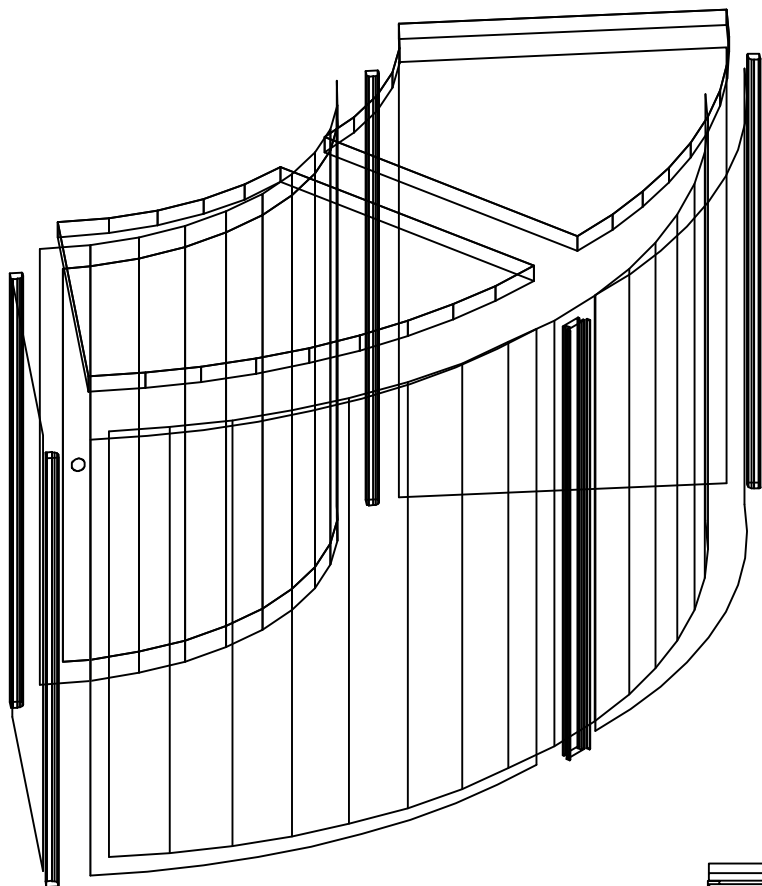
**R-RCK-06**



Code	#	Description
L90S-900	4	900MM (35.43") 90 DEGREE SILVER LINK EXTRUSION90 DEGREE
R103	1	900MM (35.43") PH EXTRUSION
L180N-900	2	900MM (35.43") 180N DEGREE SILVER LINK EXTRUSION
CT-33L	2	CT33L WITH 1 2'RADII/ 1 4'RADII
R85	2	4'R X 900MM LAMINATE CURVE PANEL
R73	1	2'R X 900MM CABINET DOOR - CONCAVE
R74	2	3 X 2 (900MM X 600MM) LAMINATE PANEL
GRAPHIC	1	35.1875" (H) X 79.4375" (W) ROLLABLE DETACHABLE DSG GRAPHIC WITH MAGNET ON BACK PERIMETER

# BOM

R-RCK-06

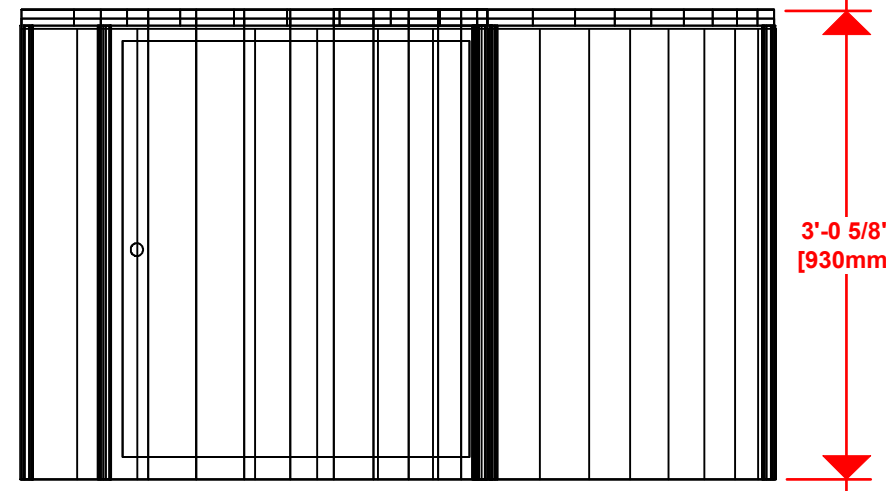
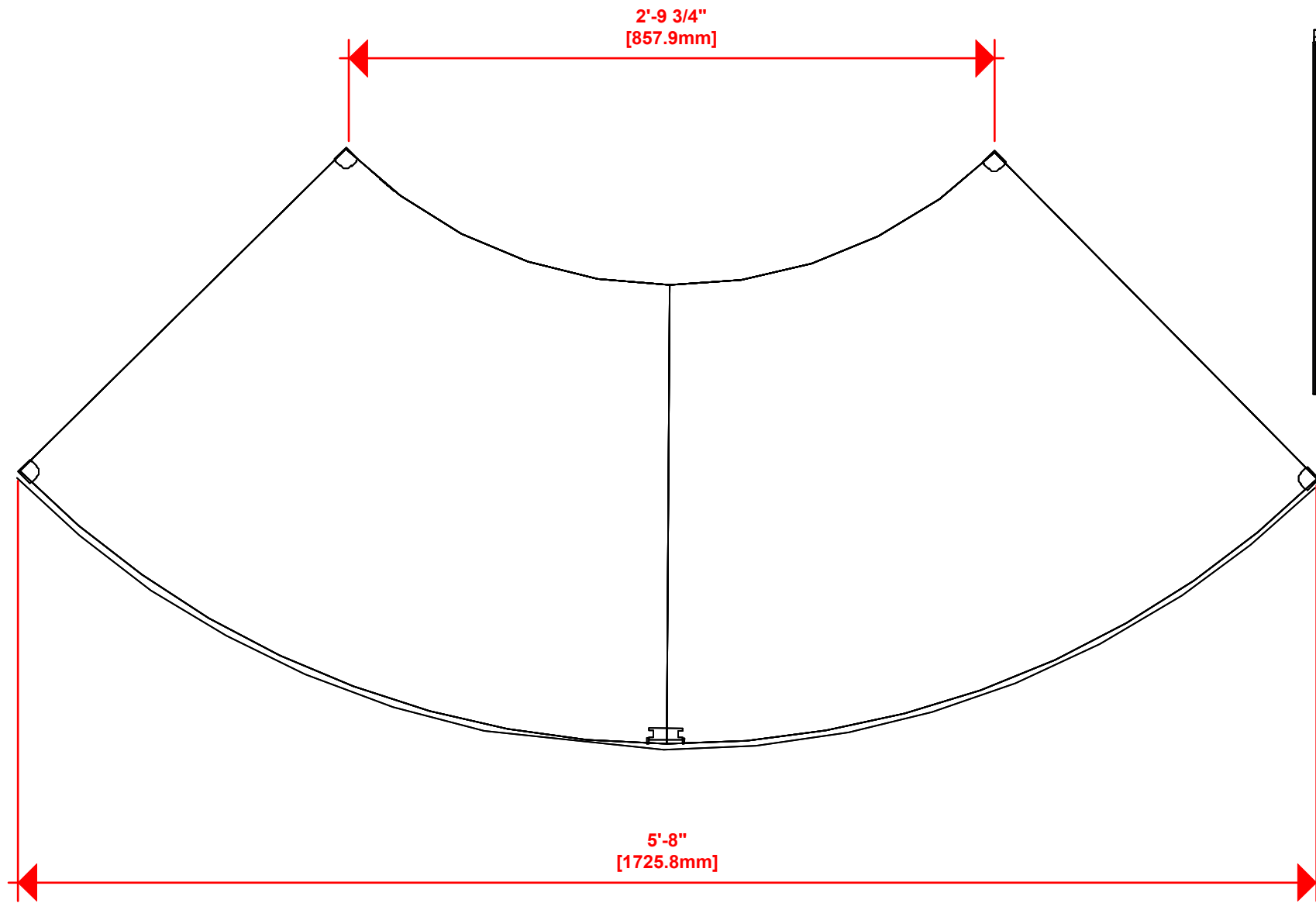


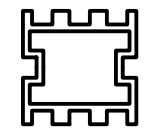
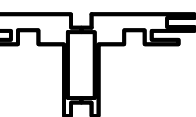
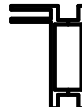


1. Redesign of this exhibit without approval by manufacturer may result in dangerous and unsafe structures. Manufacturer disclaims any responsibility for redesigned exhibits it does not approve in writing.

2. Parts and components such as panels and extrusions are manufactured to metric sizing. Where ever possible sizes have been noted in feet and inches as well as in metric. Below is the imperial to metric sizing table as reference. "Nominal" refers to approximate size.

2400mm = (94 1/2")	☒ Phone Line / Fax
2100mm = (82 5/8")	☒ Internet connection
1800mm = (70 7/8")	☒ Outlet
1500mm = (59")	☒ Main Drop (point of distrution)
1200mm = (47 1/4")	
900mm = (35 1/2")	
600mm = (23 5/8")	
300mm = (11 7/8")	

--- Wire running under carpet



-  **PM2S2**
-  **PHFC4**
-  **PHFC2**
-  **PH**
-  **PH4SC**

**HYBRID PRO RENTAL KIT**

Title: SET-UP INSTRUCTIONS

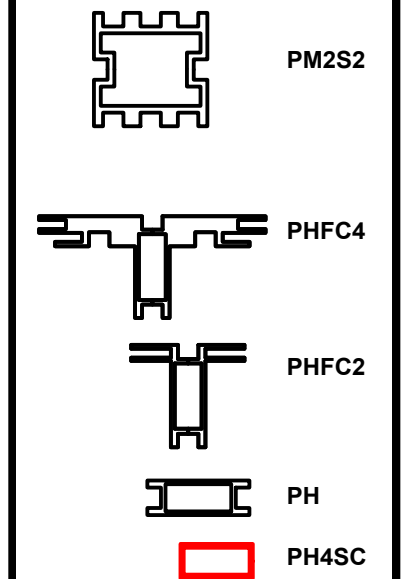
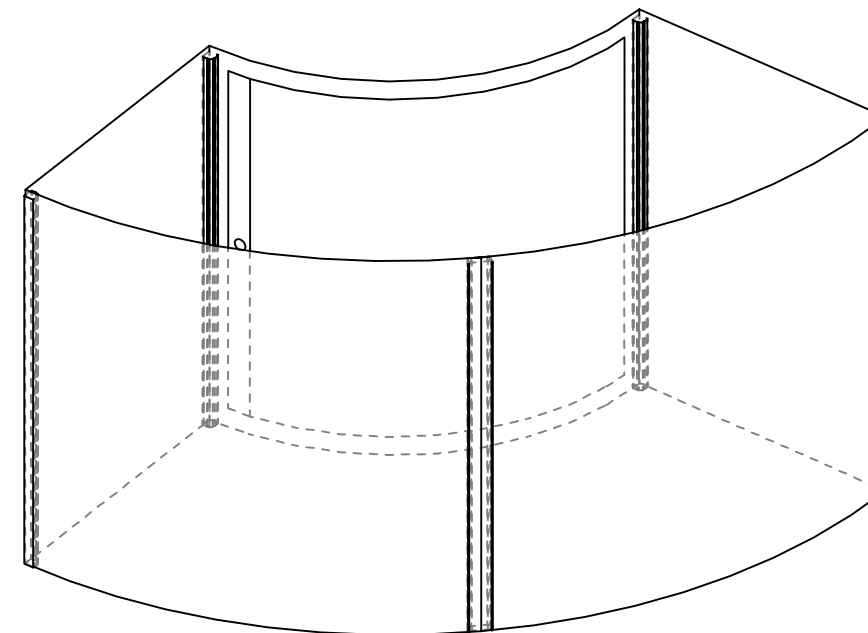
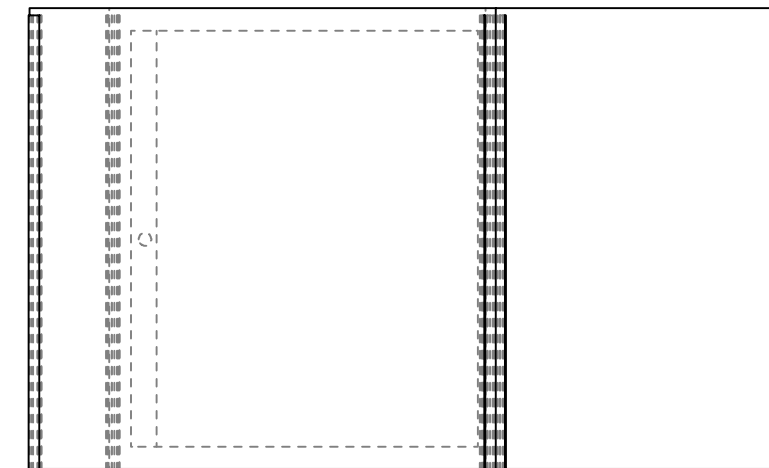
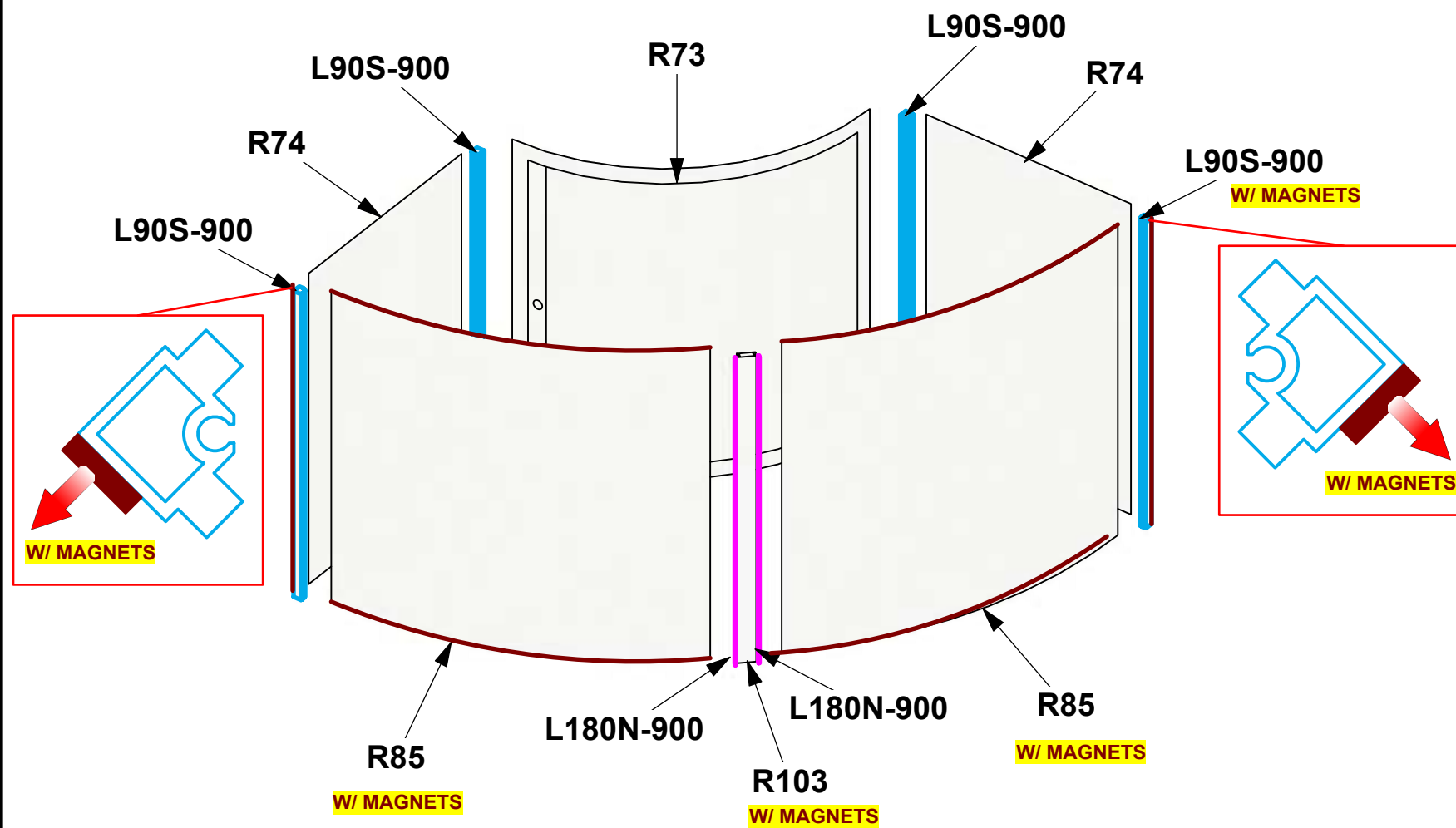
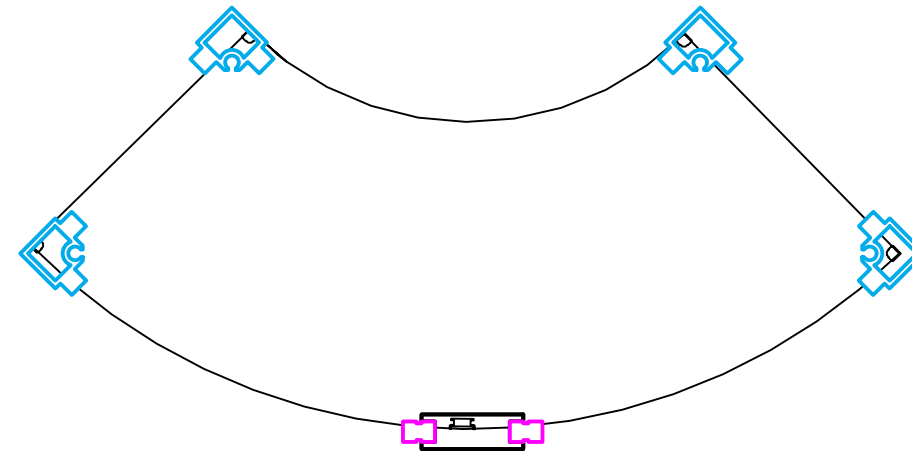
Code	#	Description
L90S-900	4	900MM (35.43") 90 DEGREE SILVER LINK EXTRUSION 90 DEGREE
R103	1	900MM (35.43") PH EXTRUSION
L180N-900	2	900MM (35.43") 180N DEGREE SILVER LINK EXTRUSION
R85	2	4'R X 900MM LAMINATE CURVE PANEL
R73	1	2'R X 900MM CABINET DOOR - CONCAVE
R74	2	3 X 2 (900MM X 600MM) LAMINATE PANEL

1. Redesign of this exhibit without approval by manufacturer may result in dangerous and unsafe structures. Manufacturer disclaims any responsibility for redesigned exhibits it does not approve in writing.

2. Parts and components such as panels and extrusions are manufactured to metric sizing. Where ever possible sizes have been noted in feet and inches as well as in metric. Below is the imperial to metric sizing table as reference. "Nominal" refers to approximate size.

2400mm = (94 1/2")	Phone Line / Fax
2100mm = (82 5/8")	Internet connection
1800mm = (70 7/8")	Outlet
1500mm = (59")	Main Drop (point of distrution)
1200mm = (47 1/4")	
900mm = (35 1/2")	
600mm = (23 5/8")	
300mm = (11 7/8")	

--- Wire running under carpet



HYBRID PRO RENTAL KIT

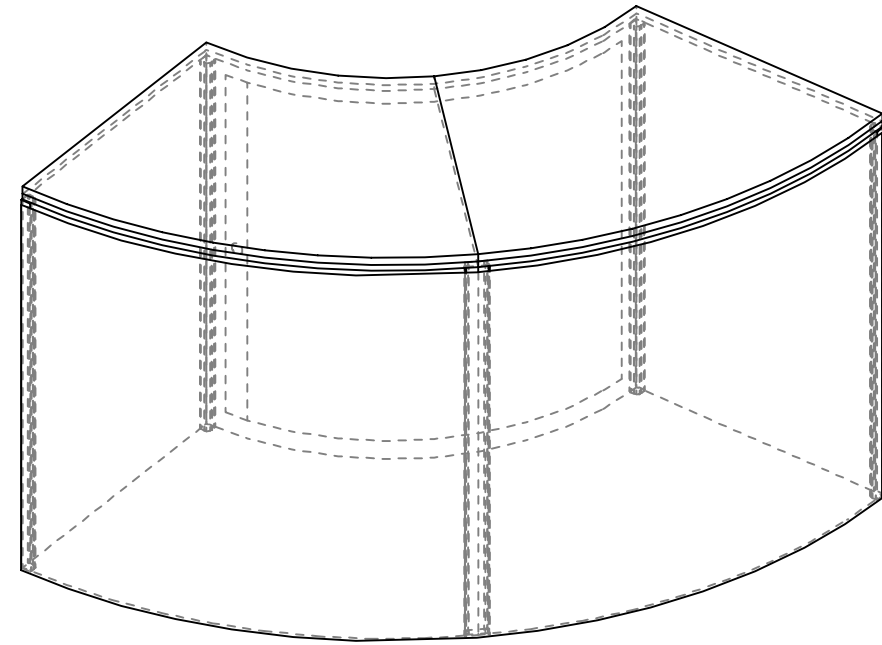
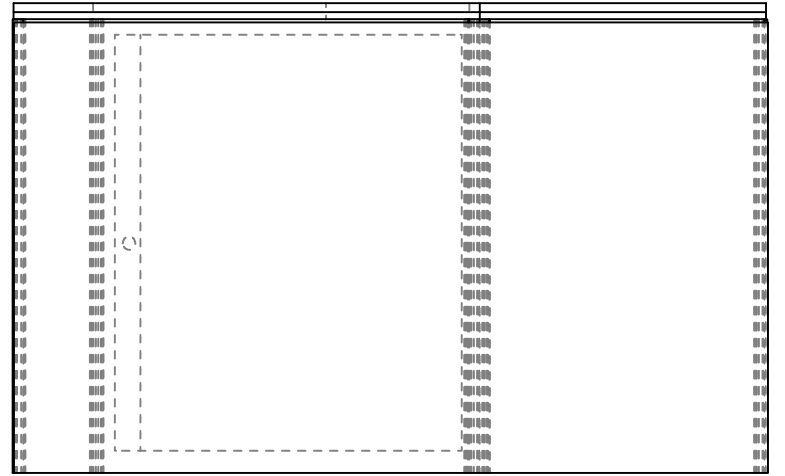
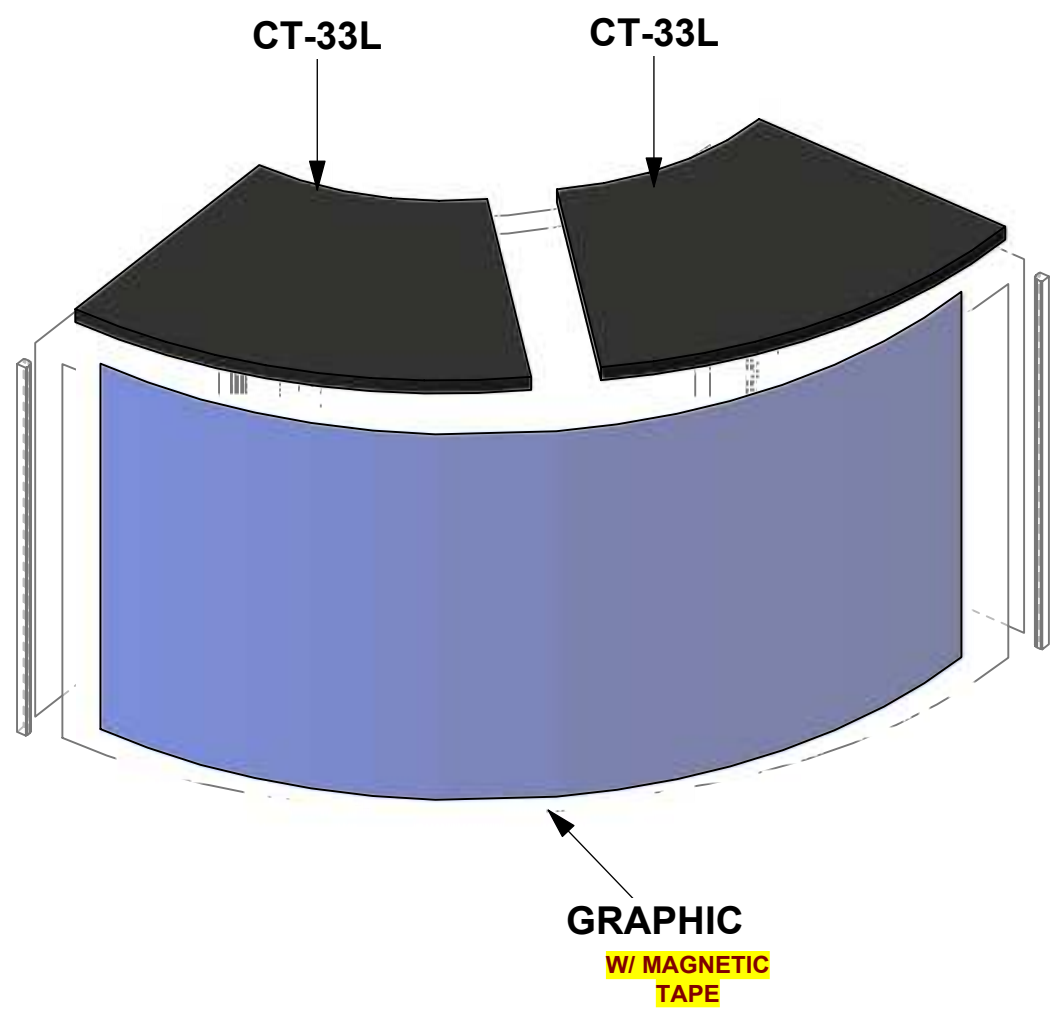
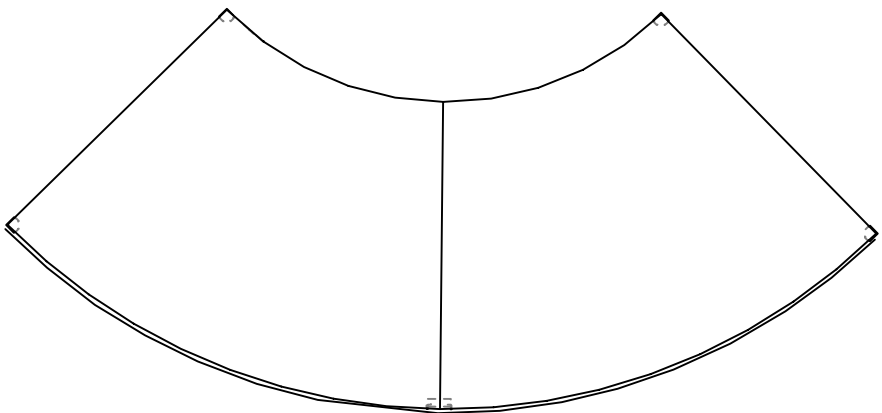
Title: SET-UP INSTRUCTIONS

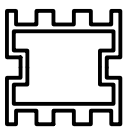
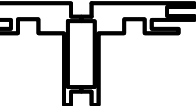
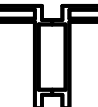


Code	#	Description
CT-33L	2	CT33L WITH 1 2'RADII/ 1 4'RADII
GRAPHIC	1	35 3/16" (H) X 79 3/16" (W) ROLLABLE DETACHABLE DSG GRAPHIC WITH MAGNET ON BACK PERIM

1. Redesign of this exhibit without approval by manufacturer may result in dangerous and unsafe structures. Manufacturer disclaims any responsibility for redesigned exhibits it does not approve in writing.

2. Parts and components such as panels and extrusions are manufactured to metric sizing. Where ever possible sizes have been noted in feet and inches as well as in metric. Below is the imperial to metric sizing table as reference. "Nominal" refers to approximate size.

- |                    |                                 |
|--------------------|---------------------------------|
| 2400mm = (94 1/2") | Phone Line / Fax                |
| 2100mm = (82 5/8") | Internet connection             |
| 1800mm = (70 7/8") | Outlet                          |
| 1500mm = (59")     | Main Drop (point of distrution) |
| 1200mm = (47 1/4") |                                 |
| 900mm = (35 1/2")  |                                 |
| 600mm = (23 5/8")  |                                 |
| 300mm = (11 7/8")  |                                 |
- Wire running under carpet



-  PM2S2
-  PHFC4
-  PHFC2
-  PH
-  PH4SC

**HYBRID PRO RENTAL KIT**

Title: SET-UP INSTRUCTIONS

# **PACKING INSTRUCTIONS**





1  
(2) R74



2  
(1) CT-33L



3  
(1) CT-33L



4  
(1) R85, (4) L90S-900, (1) R103  
(4) L180N-900



5  
(1) R85



6  
(1) R73

# CASE # 1

LEGEND	
	GREY FOAM FOLDED TO FILL EMPTY SPACES OR USED AS PROTECTION
	1/8" CARDBOARD SPACER (PUT IN BETWEEN EVERY PANEL)
	DIVIDER
	1/4" WHITE FOAM (USED AS PROTECTION DOOR PANELS W/ LOCKS)

