

Hybrid Pro Modular Kit 20

HP-K-20

Hybrid Pro™ Modular exhibits and counters are a perfect solution for the serious exhibitor. Exhibits feature heavy-duty aluminum extrusion frames and push-fit fabric graphics. Count on making an unforgettable impact with Hybrid Pro Modular exhibit kits, counters, and accessories.



* foreground counter not included

We are continually improving and modifying our product range and reserve the right to vary the specifications without prior notice. All dimensions and weights quoted are approximate and we accept no responsibility for variance. E&OE. See Graphic Templates for graphic bleed specifications.

features and benefits:

- Stands approximately 14' tall and features a 12'd x 4'h circular ring structure, laminated wood structures and fabric graphic walls
- Single-sided dye-sublimated push-fit fabric graphics with **Hook & Loop** on perimeter
- Four internally facing shelving areas feature three 24" x 24" shelves each
- Kit includes laminate walls, ten fabric graphic panels, one pillowcase fabric graphic, two large monitor mounts, two large monitor mount, 12 shelves, one molded OCE case, two woodcrates and one NCRATE
- Lifetime hardware warranty against manufacturer defects

dimensions:

Hardware	Graphic
<p>Assembled unit (including ring structure): 212.875"w x 167.375"h x 212.375"d</p> <p>Buttress walls 118.125"h</p> <p>Four white laminate walls: 48"w x 118"h x 12" thick *white laminate platforms 48" x 48" hold 4 fabric graphic walls</p> <p>Shelves: 24"w x 24"d</p>	<p>Total visual area: RNG-1204: Outside: 452.4"w x 48"h Inside: 445"w x 48"h</p> <p>Panels A1, A2, B1, B2, C1, C2, D1 & D2: 39.25"w x 94.375"h</p> <p>Panels E1 & E2: 55.11"w x 165.35"h Side Panels: 165.35"w x 11.81"h Bottom Ceiling: 165.35"w x 47.25"h</p>
<p>Shipping</p> <p>Shipping dimensions - ships in 4 cases: 2 WOODCRATE cases: 101"l x 49"h x 59"d 2565.4mm(l) x 1244.6mm(h) x 1498.6mm(d)</p> <p>1 NCRATE: 59"l x 48"h x 57"d 1498.6mm(l) x 1219.2mm(h) x 1447.8mm(d)</p> <p>1 OCE case: 40"l up to 66"l x 18"w x 18"h 1016mm up to 1676.4mm(l) x 457.2mm(w) x 457.2mm(h)</p> <p>Approximate shipping weight (entire kit): 2437 lbs / 1105.4 kgs</p>	<p>Please be sure to include a 2" bleed around the perimeter.</p> <p>Refer to related graphic templates for more information</p>

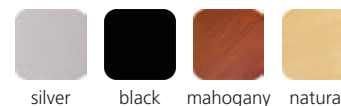


www.camelbackdisplays.com

additional information:

Fabric material:
Dye-sublimated fabric

Shelf color options:

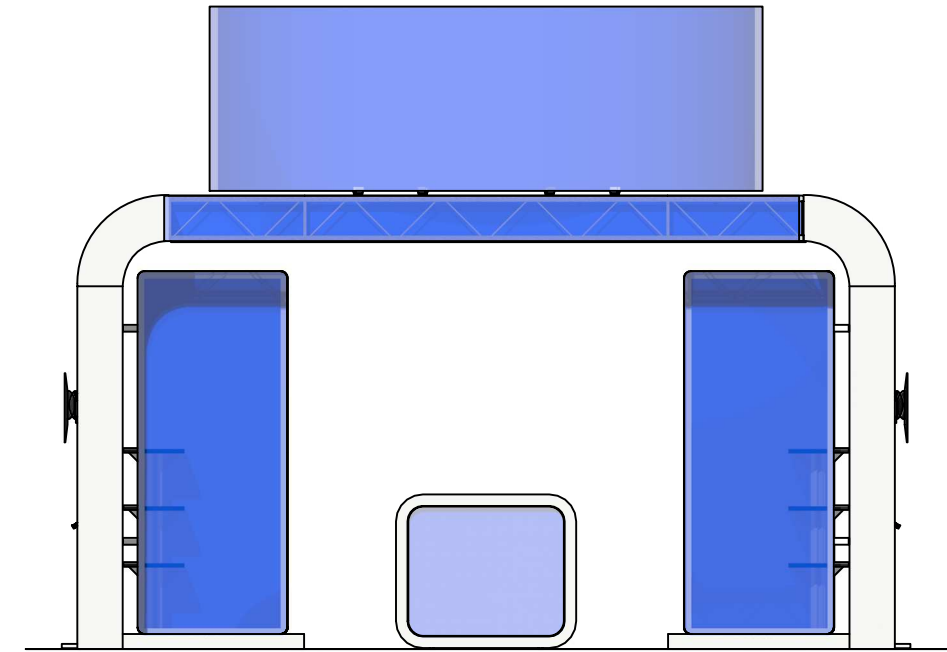
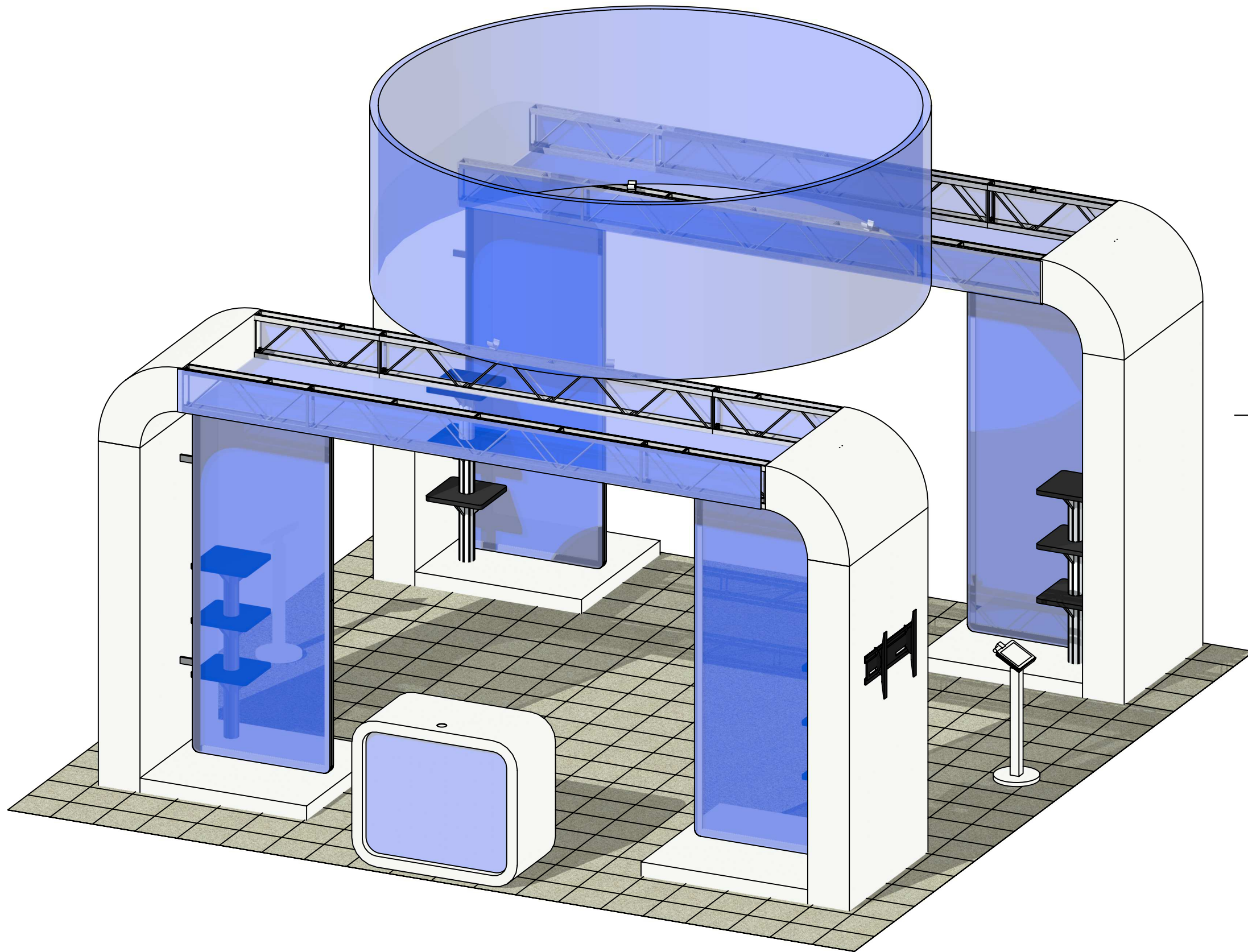


Large monitor bracket holds 32-70" LCD, maximum weight: 150 lbs / 68.04 kgs

Center ring structure will require rigging of center structure to ceiling

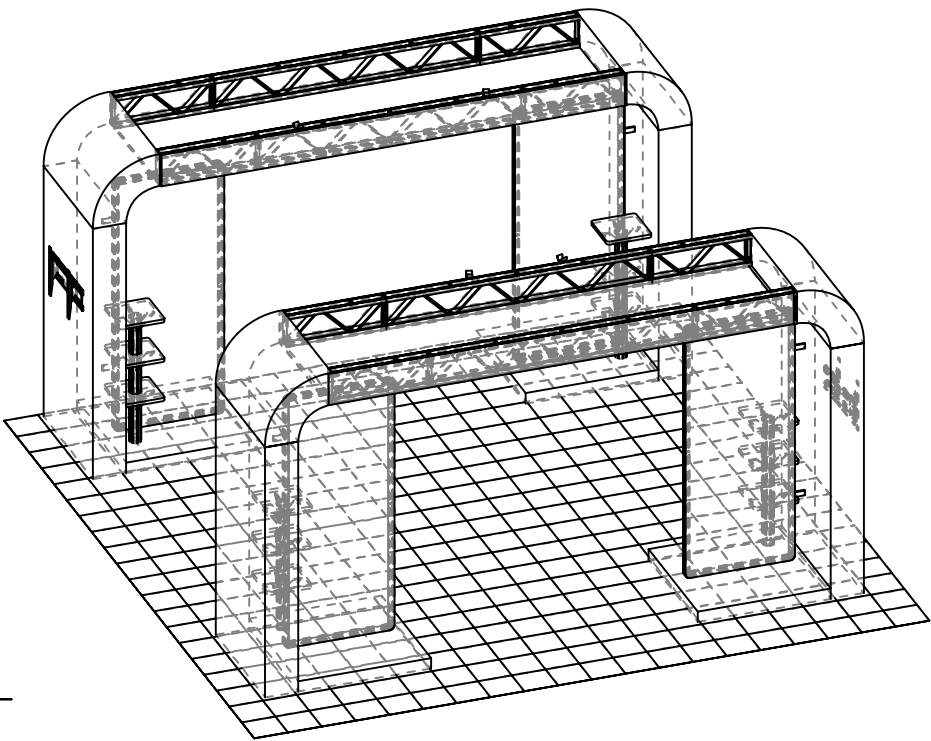
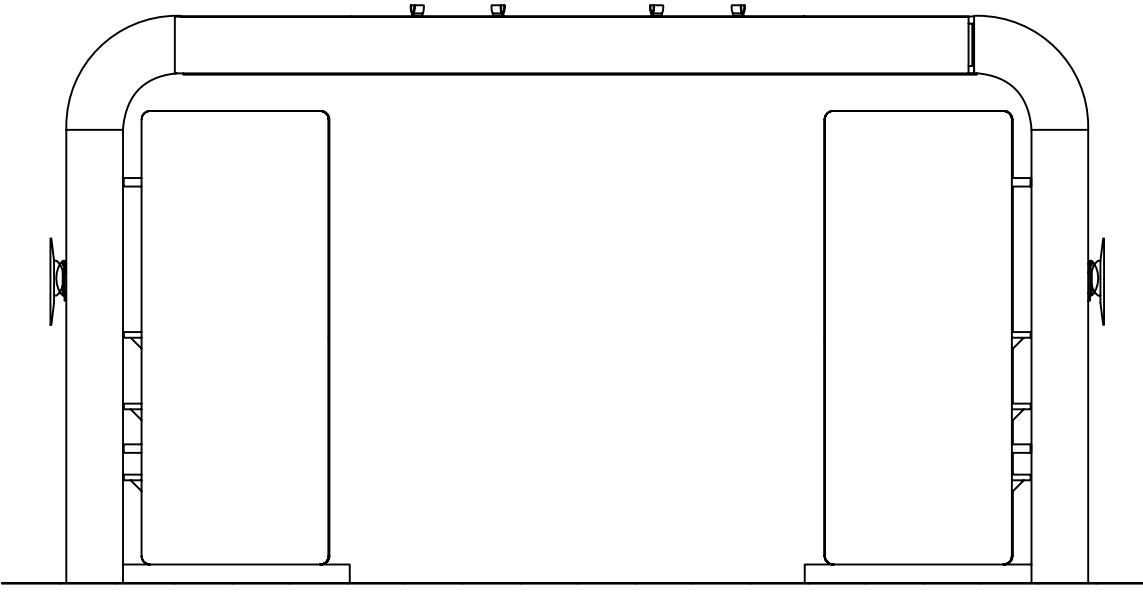
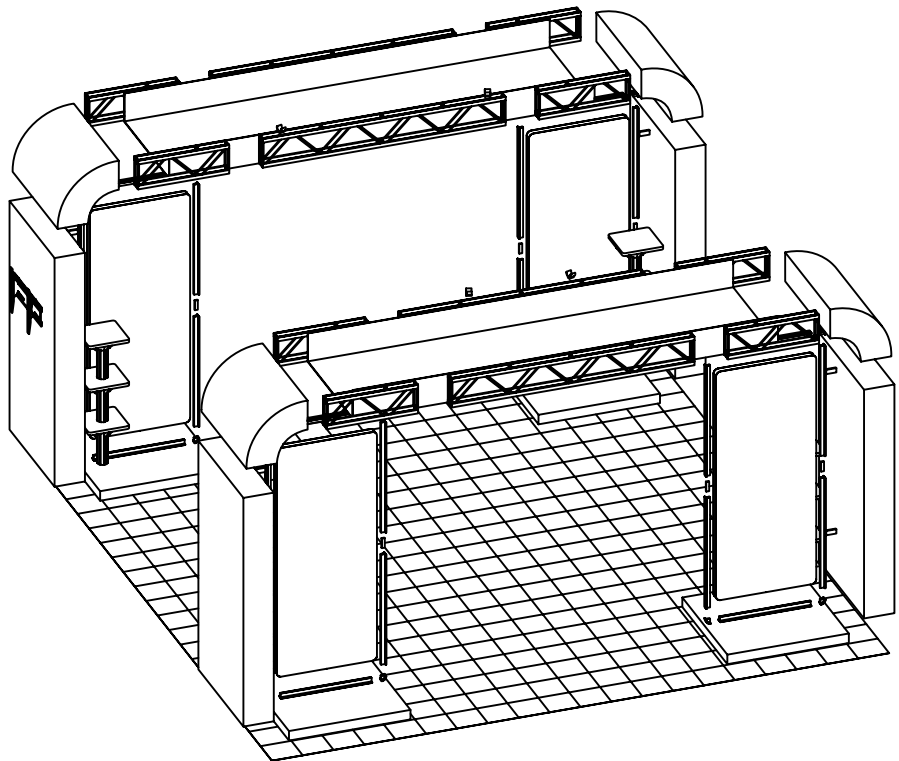
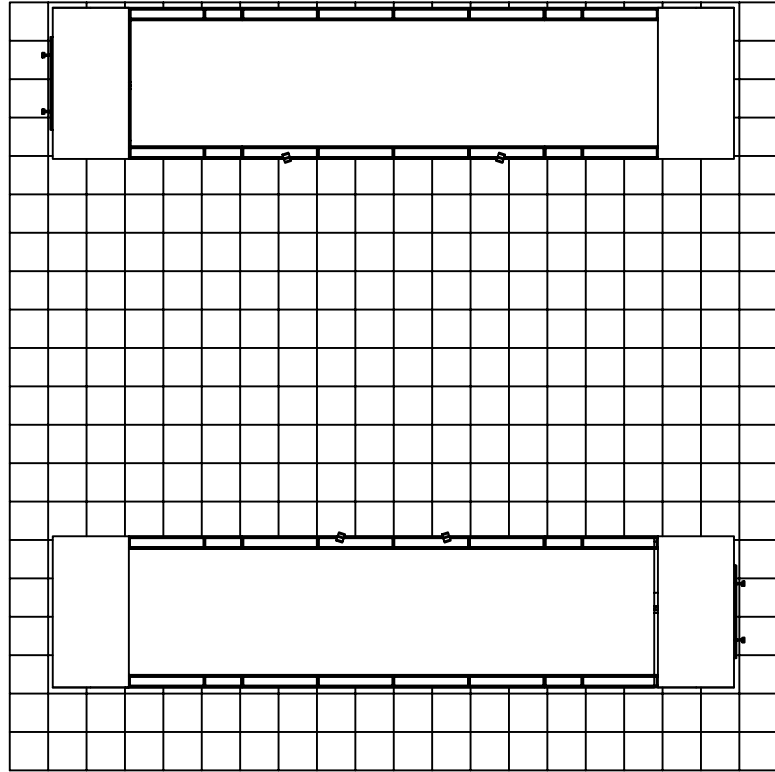
*Flooring and center counter REC-42 not included

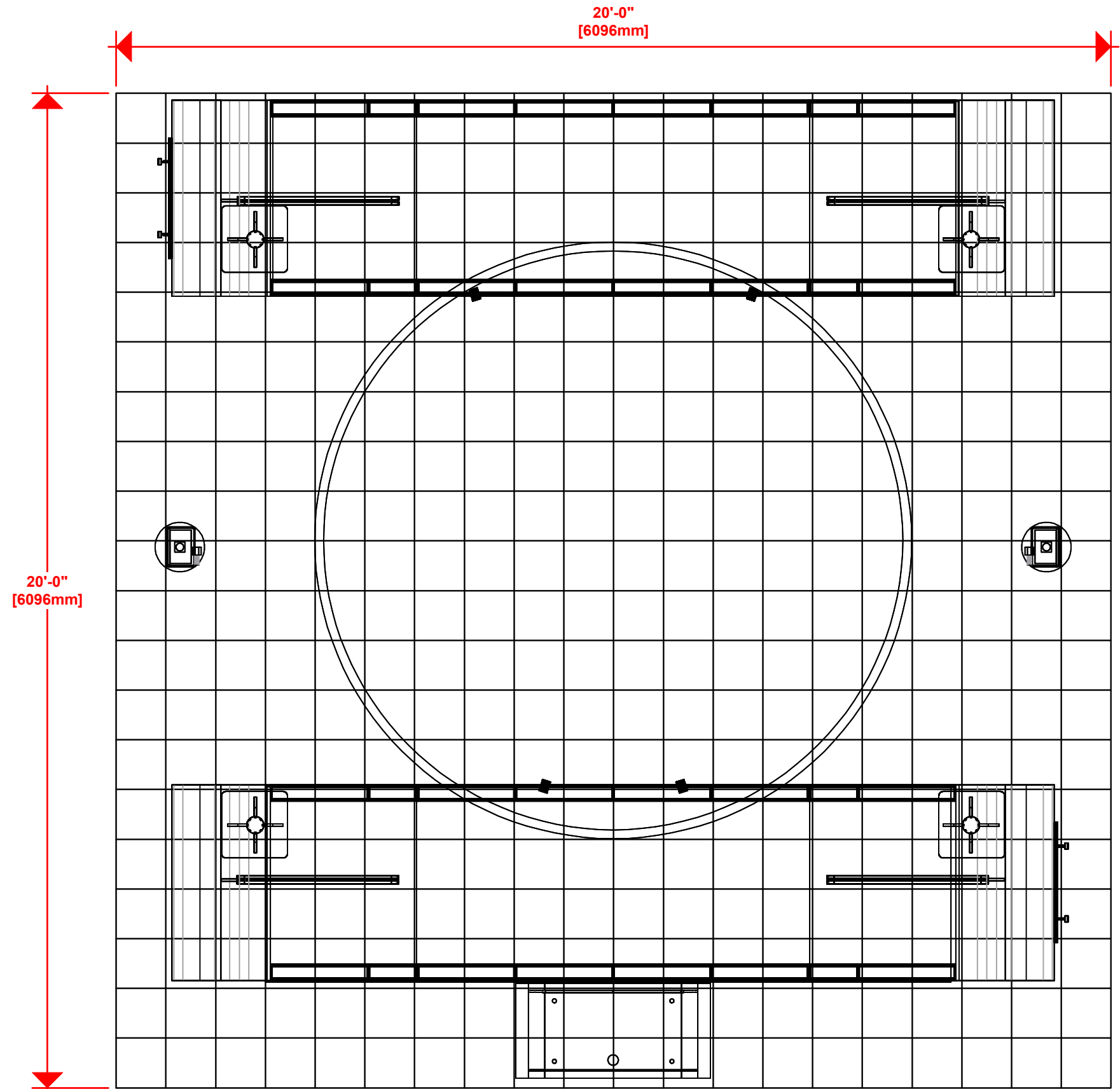
R-HP-K-20



BOM

Code	#	Description
R16	4	900MM (35.43") PHFC2 EXTRUSION WITH LOCKS 2 ENDS
IB2	8	PH INLINE CONNECTOR
CB9-R	16	50MM ROUND PHCF2 CORNER BRACKET
R28	16	1155MM (45.47") PHFC2 EXTRUSION WITH IB2 HOLE ONE SIDE-WITH LOCK 1 END
R94	4	900MM (35.43") PHFC2 EXTRUSION WITH LOCKS 2 ENDS WITH SIDE CAM LOCKS
GRAPHIC B2	1	94 1/2" (H) X 39 3/8" (W) SINGLE SIDED DYESUB GRAPHIC W/ FCE-2 (SEG) ON PERIMETER
GRAPHIC B1	1	94 1/2" (H) X 39 3/8" (W) SINGLE SIDED DYESUB GRAPHIC W/ FCE-2 (SEG) ON PERIMETER
R100	2	2400MM X 1200MM X 300MM CUSTOM WOOD PANELS W/ MONITOR MOUNTS 66" ON CENTER ON OUTSIDE
R97	8	900MM (3FT NOMINAL) MILL FINISH BOLD TRUSS
R98	4	2400MM (8FT NOMINAL) MILL FINISH BOLD TRUSS
R102	4	1200MM X 1200MM X 100MM CUSTOM WOOD PANELS W/ TEE NUTS FOR SMARTWALL FRAME TO BOLT TO
GRAPHIC A2	1	94 1/2" (H) X 39 3/8" (W) SINGLE SIDED DYESUB GRAPHIC W/ FCE-2 (SEG) ON PERIMETER
GRAPHIC A1	1	94 1/2" (H) X 39 3/8" (W) SINGLE SIDED DYESUB GRAPHIC W/ FCE-2 (SEG) ON PERIMETER
R99	2	2400MM X 1200MM X 300MM CUSTOM WOOD PANELS
TC-30MM	4	SILVER ANODIZE FINISH 30MM TUBE CLAMP
GRAPHIC C1	1	94 1/2" (H) X 39 3/8" (W) SINGLE SIDED DYESUB GRAPHIC W/ FCE-2 (SEG) ON PERIMETER
GRAPHIC C2	1	94 1/2" (H) X 39 3/8" (W) SINGLE SIDED DYESUB GRAPHIC W/ FCE-2 (SEG) ON PERIMETER
GRAPHIC D1	1	94 1/2" (H) X 39 3/8" (W) SINGLE SIDED DYESUB GRAPHIC W/ FCE-2 (SEG) ON PERIMETER
GRAPHIC D2	1	94 1/2" (H) X 39 3/8" (W) SINGLE SIDED DYESUB GRAPHIC W/ FCE-2 (SEG) ON PERIMETER
R101	4	1200MM X 600MM X 600MM CURVED WOOD PANELS
LM-MB	2	LARGE MONITOR MOUNTING BRACKET FOR MONITORS 30-63
CT-22L	4	406MM X 406MM X 30MM LAMINATE COUNTER TOP W/PEs ON BOTTOM
R95	4	1200MM (47.24") 100MM PM4R8 SILVER "8" CHANNEL ROUND EXTRUSION WITH THREADED INSERT ONE END
CT-22L	8	406MM X 406MM X 30MM LAMINATE COUNTER TOP W/PEs ON BOTTOM AND THROUGH HOLE FOR PM4R8 EX
R96	48	170MM (6.69") PH GUSSET EXTRUSION MITER CUT BOTH ENDS WITH 45 DEGREE LOCKS 2 ENDS
GRAPHIC F1	1	55 1/8" (H) X 165 3/8" (W) SINGLE SIDED DYESUB GRAPHIC W/ HOOK & LOOP ON BACK PERIMETER. GRAPHIC WRAPS ON 3 SIDES
GRAPHIC F2	1	55 1/8" (H) X 165 3/8" (W) SINGLE SIDED DYESUB GRAPHIC W/ HOOK & LOOP ON BACK PERIMETER. GRAPHIC WRAPS ON 3 SIDES
R63	8	100MM PH WITH LOCKS BOTH ENDS

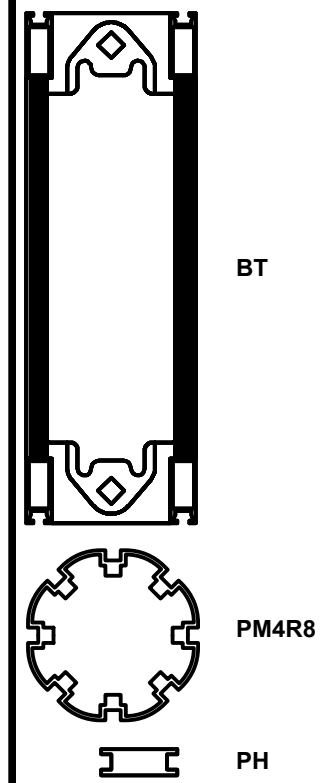




1. Redesign of this exhibit without approval by manufacturer may result in dangerous and unsafe structures. Manufacturer disclaims any responsibility for redesigned exhibits it does not approve in writing.

2. Parts and components such as panels and extrusions are manufactured to metric sizing. Where ever possible sizes have been noted in feet and inches as well as in metric. Below is the imperial to metric sizing table as reference. "Nominal" refers to approximate size.

- | | |
|--------------------|-----------------------------------|
| 2400mm = (94 1/2") | ▼ Phone Line / Fax |
| 2100mm = (82 5/8") | ⚡ Internet connection |
| 1800mm = (70 7/8") | ⦿ Outlet |
| 1500mm = (59") | ⦿ Main Drop (point of distrution) |
| 1200mm = (47 1/4") | |
| 900mm = (35 1/2") | |
| 600mm = (23 5/8") | |
| 300mm = (11 7/8") | |
- Wire running under carpet



HYBRID PRO RENTAL KIT

Title: SET-UP INSTRUCTIONS

RNG1204

SET UP INSTRUCTIONS:

1. CONNECT BOTTOM AND TOP TUBES FOLLOWING THE LABELS
2. CONNECT SIDE TUBES
3. CLEAN THE FRAME AND PLACE THEM ON CLEAN PLACE
4. CAREFULLY REMOVE FABRIC COVER FROM BAG
5. PLACE COVER AROUND THE BOTTOM OF THE FRAME
6. PULL COVER CAREFULLY UP TO THE TOP
7. CLOSE ALL ZIPPERS
8. ADJUST FABRIC AROUND THE FRAME
9. CONNECT CABLE HARNESS TO THE EYEBOLTS
10. COMPLETELY TIGHTEN THREADED CONNECTORS

BREAK DOWN INSTRUCTIONS:

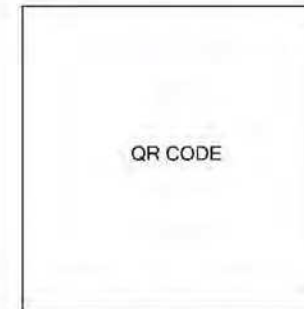
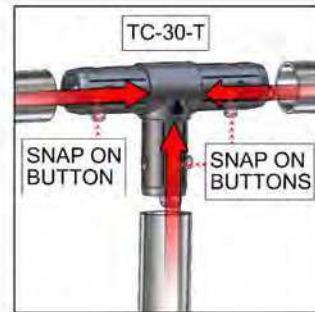
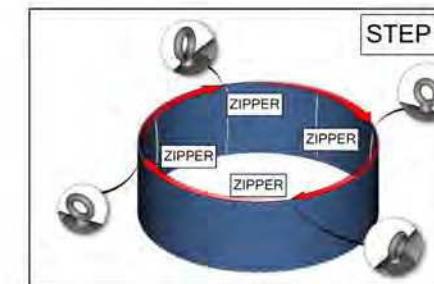
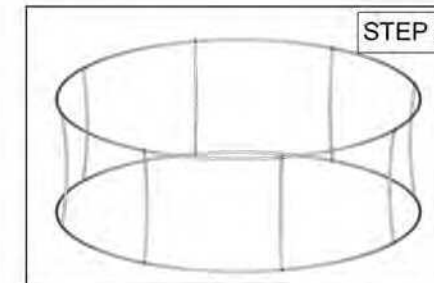
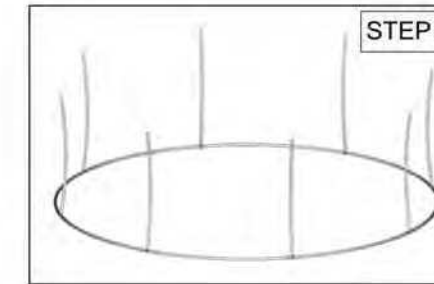
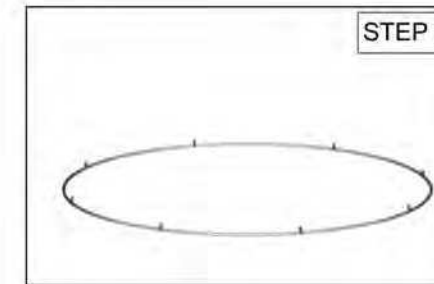
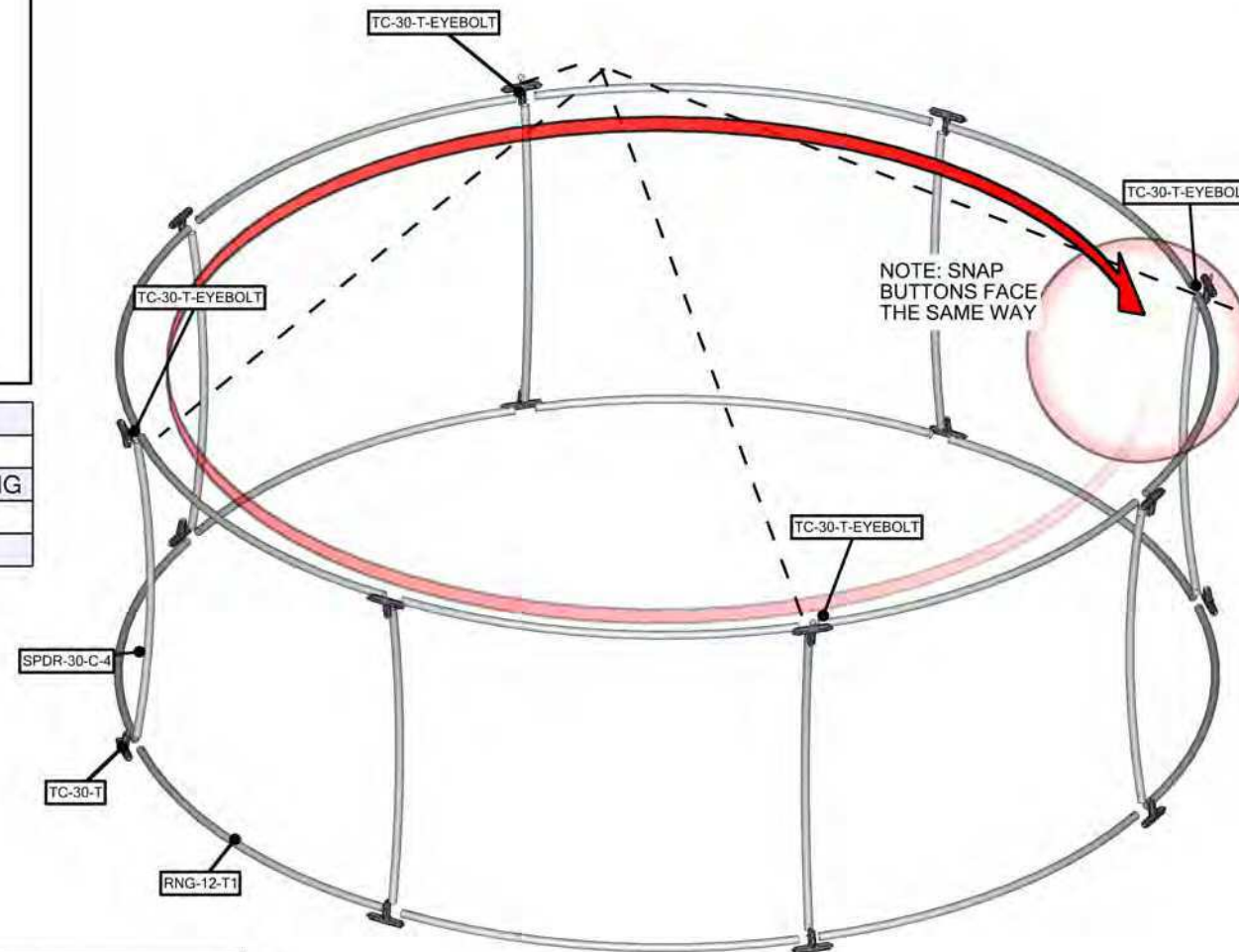
REVERSE SET-UP STEPS TO BREAKDOWN FRAME

FABRIC CARE INSTRUCTIONS:

1. UNZIP COVER ZIPPERS
2. CAREFULLY REMOVE FABRIC COVER
3. CLOSE ALL ZIPPERS
4. FOLD OR ROLL NEATLY
5. PLACE FABRIC IN COVER BAG

QTY	CODE	DESCRIPTION
8	SPDR-30-C-4	30MM CURVED SPREADER FOR
16	RNG-12-T1	30MM TUBE FOR 12' DIAMETER RING
12	TC-30-T	T JUNCTION FOR 30MM TUBING
4	TC-30-T-EYEBOLT	T JUNCTION FOR 30MM TUBING

TOTAL WEIGHT: 52.3 (lbs)
 MAX SIZE: 55.1 (in)
 HARDWARE: 28.6 (lbs)
 GRAPHIC: 20.9 (lbs)



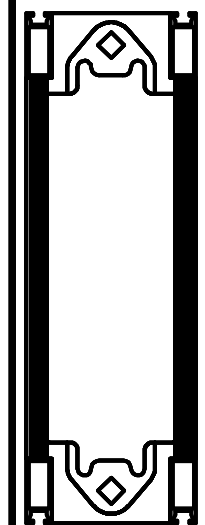
Set-up Video

1. Redesign of this exhibit without approval by manufacturer may result in dangerous and unsafe structures. Manufacturer disclaims any responsibility for redesigned exhibits it does not approve in writing.

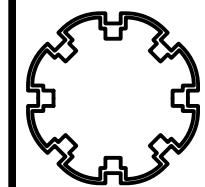
2. Parts and components such as panels and extrusions are manufactured to metric sizing. Where ever possible sizes have been noted in feet and inches as well as in metric. Below is the imperial to metric sizing table as reference. "Nominal" refers to approximate size.

2400mm = (94 1/2")	Phone Line / Fax
2100mm = (82 5/8")	Internet connection
1800mm = (70 7/8")	Outlet
1500mm = (59")	Main Drop (point of distrution)
1200mm = (47 1/4")	
900mm = (35 1/2")	
600mm = (23 5/8")	
300mm = (11 7/8")	

Wire running under carpet



BT



PM4R8

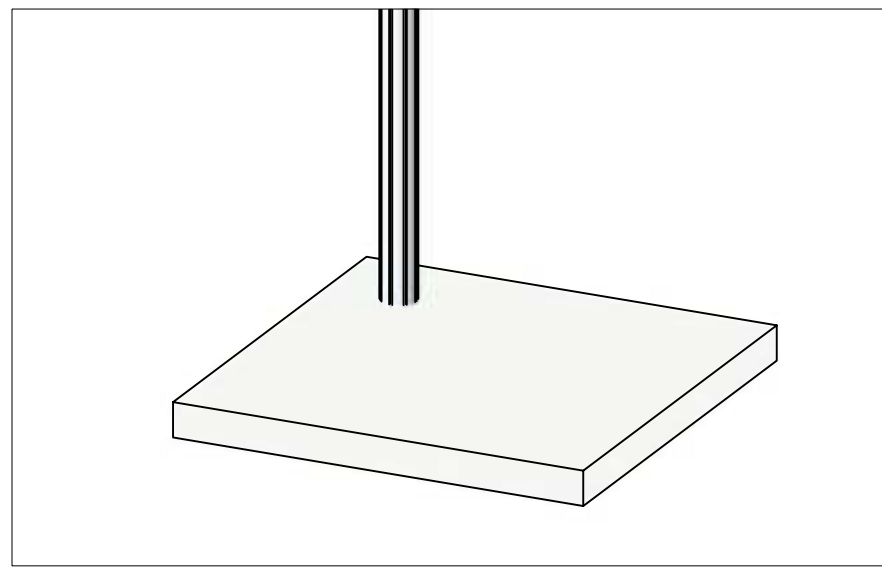
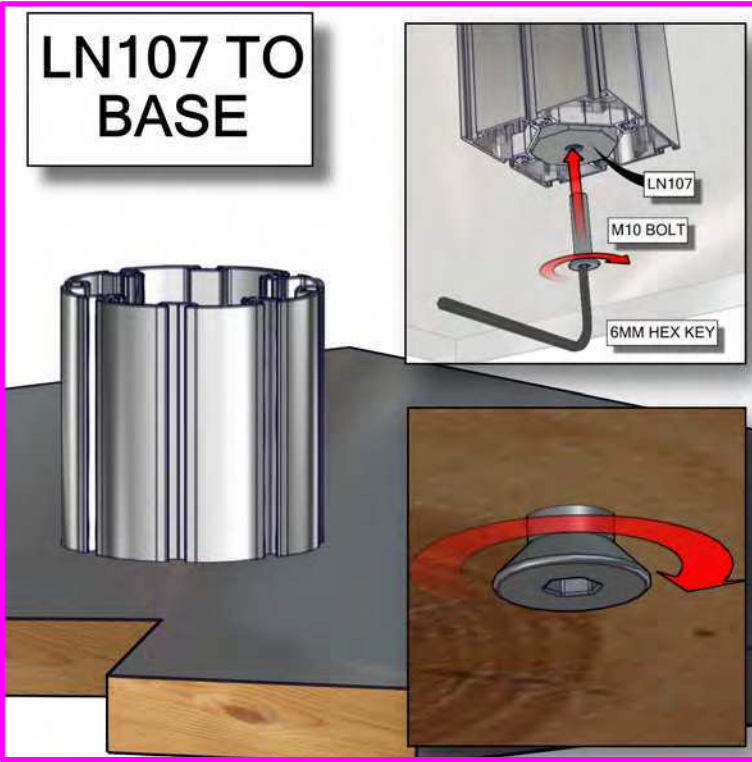


PH

HYBRID PRO RENTAL KIT

Title: SET-UP INSTRUCTIONS

Code	#	Description
R102	4	1200MM X 1200MM X 100MM CUSTOM WOOD PA
R95	4	1200MM (47.24") 100MM PM4R8 SILVER "8" CHAN

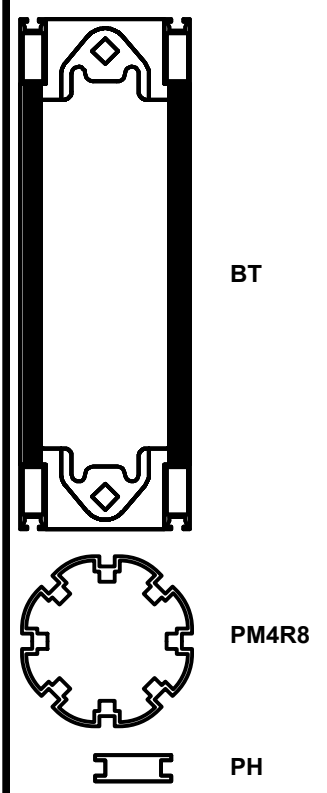
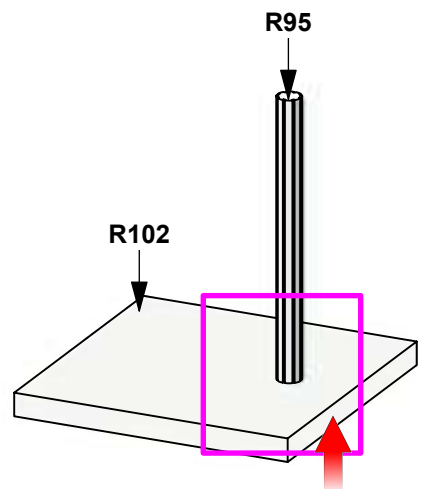
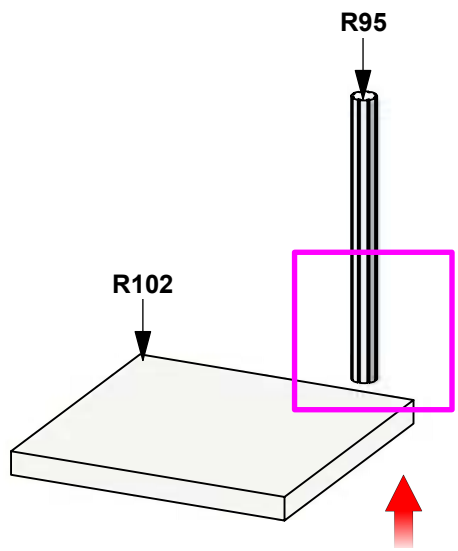
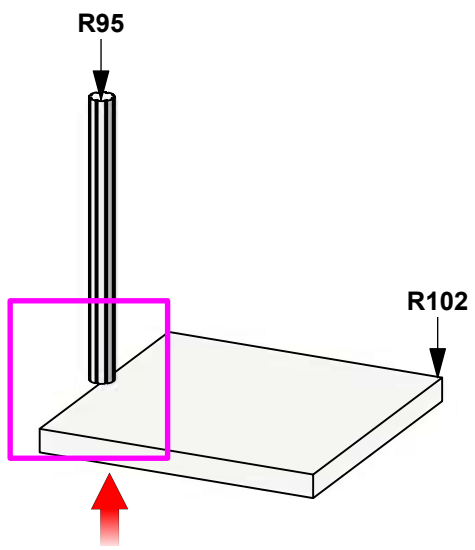
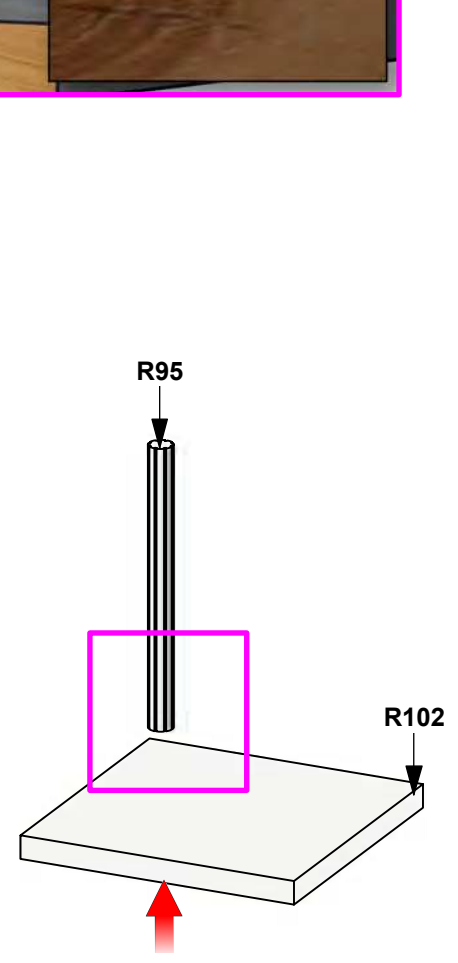


1. Redesign of this exhibit without approval by manufacturer may result in dangerous and unsafe structures. Manufacturer disclaims any responsibility for redesigned exhibits it does not approve in writing.

2. Parts and components such as panels and extrusions are manufactured to metric sizing. Where ever possible sizes have been noted in feet and inches as well as in metric. Below is the imperial to metric sizing table as reference. "Nominal" refers to approximate size.

2400mm = (94 1/2")	Phone Line / Fax
2100mm = (82 5/8")	Internet connection
1800mm = (70 7/8")	Outlet
1500mm = (59")	Main Drop (point of distrution)
1200mm = (47 1/4")	
900mm = (35 1/2")	
600mm = (23 5/8")	
300mm = (11 7/8")	

--- Wire running under carpet

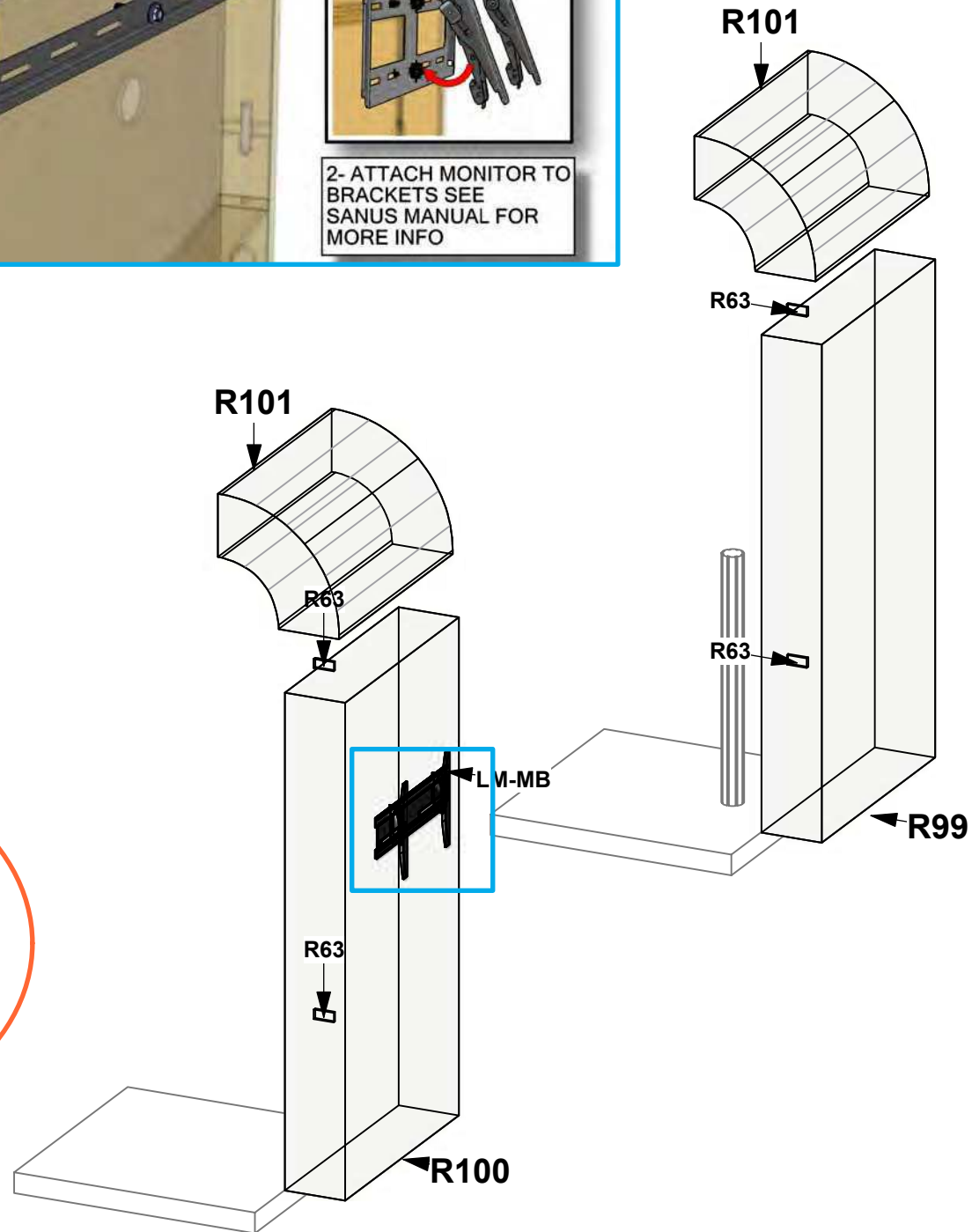
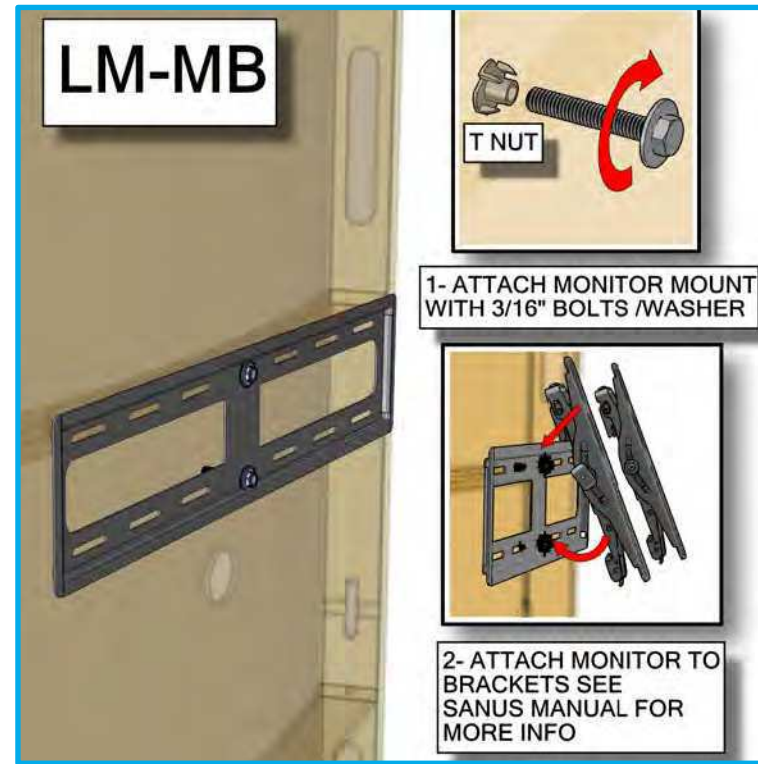
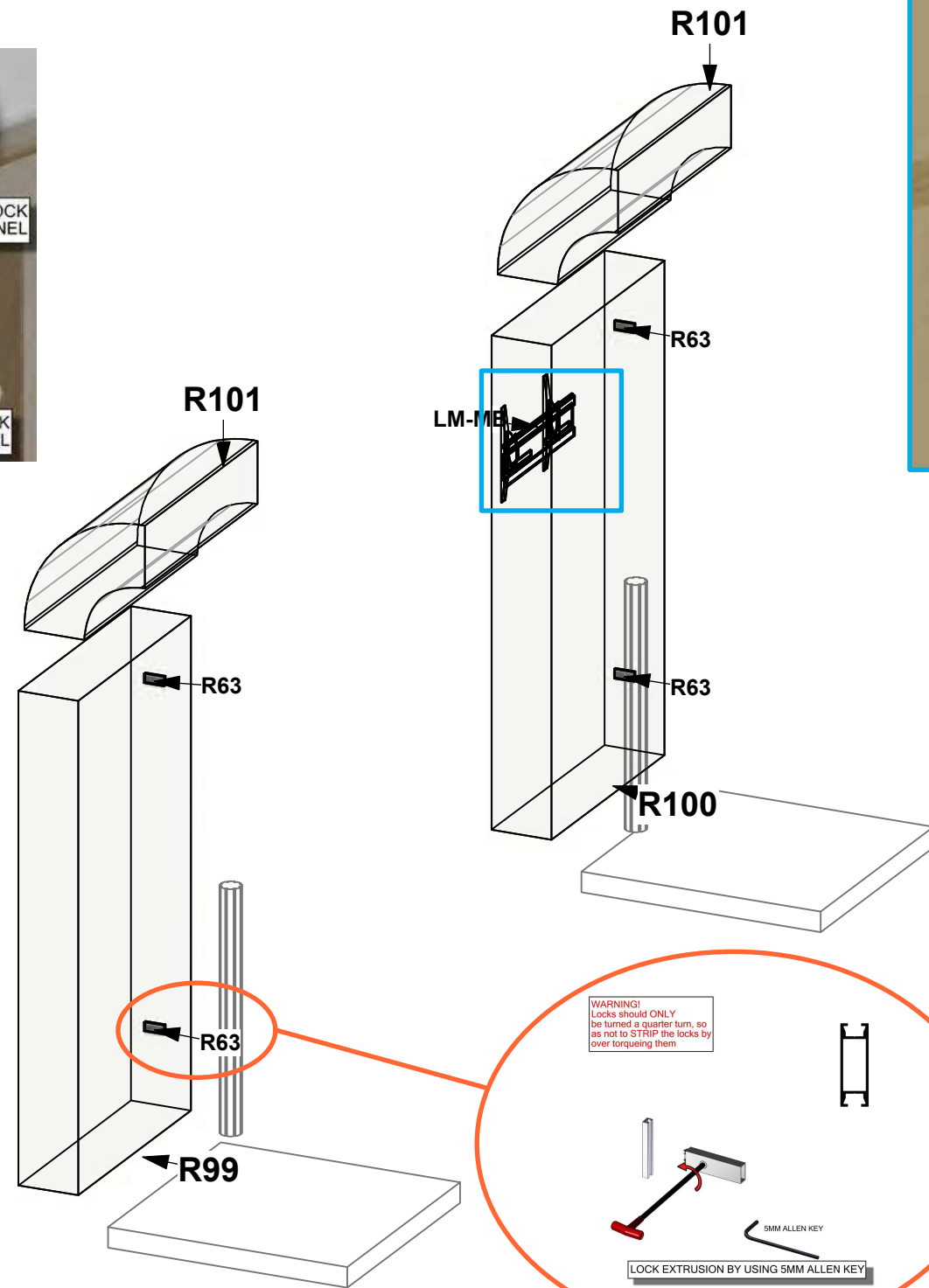
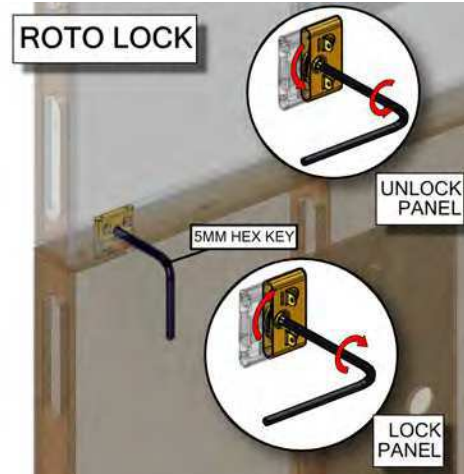


HYBRID PRO RENTAL KIT

Title: SET-UP INSTRUCTIONS

BUILD 4 UNITS

Code	#	Description
R100	2	2400MM X 1200MM X 300MM CUSTOM WOOD PA
R99	2	2400MM X 1200MM X 300MM CUSTOM WOOD PA
R101	4	1200MM X 600MM X 600MM CURVED WOOD PAN
LM-MB	2	LARGE MONITOR MOUNTING BRACKET FOR MO
R63	8	100MM PH WITH LOCKS BOTH ENDS

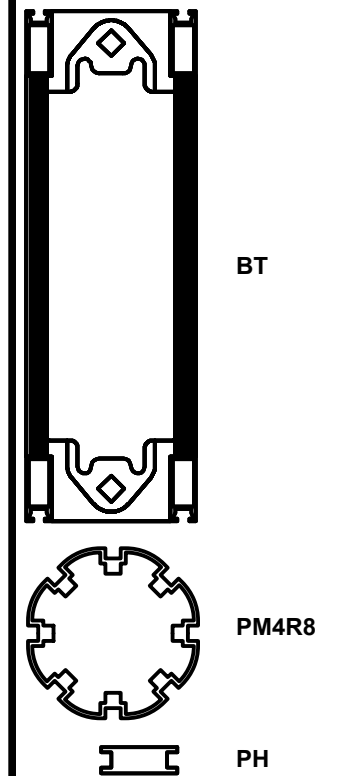


1. Redesign of this exhibit without approval by manufacturer may result in dangerous and unsafe structures. Manufacturer disclaims any responsibility for redesigned exhibits it does not approve in writing.

2. Parts and components such as panels and extrusions are manufactured to metric sizing. Where ever possible sizes have been noted in feet and inches as well as in metric. Below is the imperial to metric sizing table as reference. "Nominal" refers to approximate size.

2400mm = (94 1/2")	Phone Line / Fax
2100mm = (82 5/8")	Internet connection
1800mm = (70 7/8")	Outlet
1500mm = (59")	Main Drop (point of distrution)
1200mm = (47 1/4")	
900mm = (35 1/2")	
600mm = (23 5/8")	
300mm = (11 7/8")	

--- Wire running under carpet



HYBRID PRO RENTAL KIT

Title: SET-UP INSTRUCTIONS

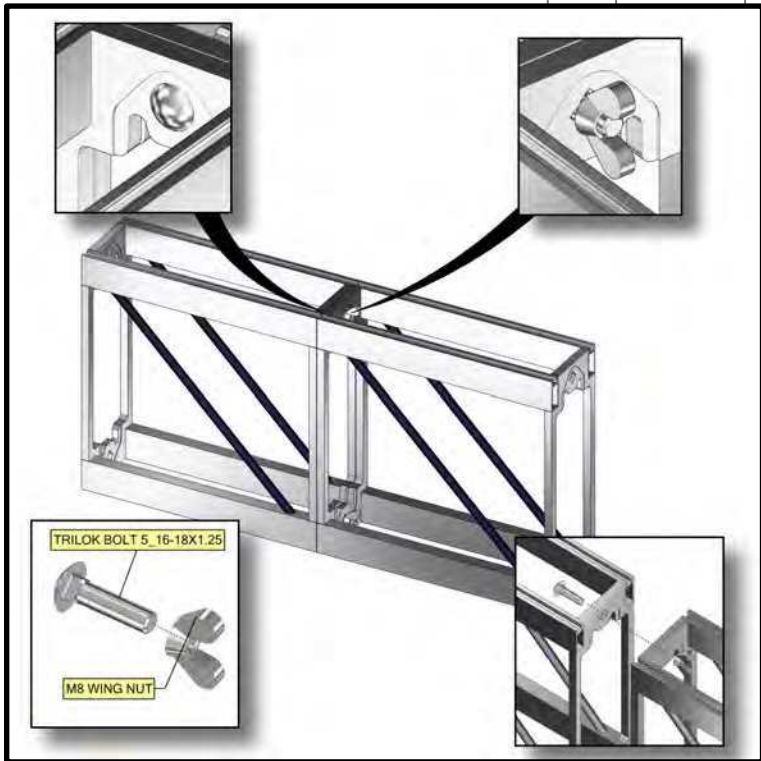
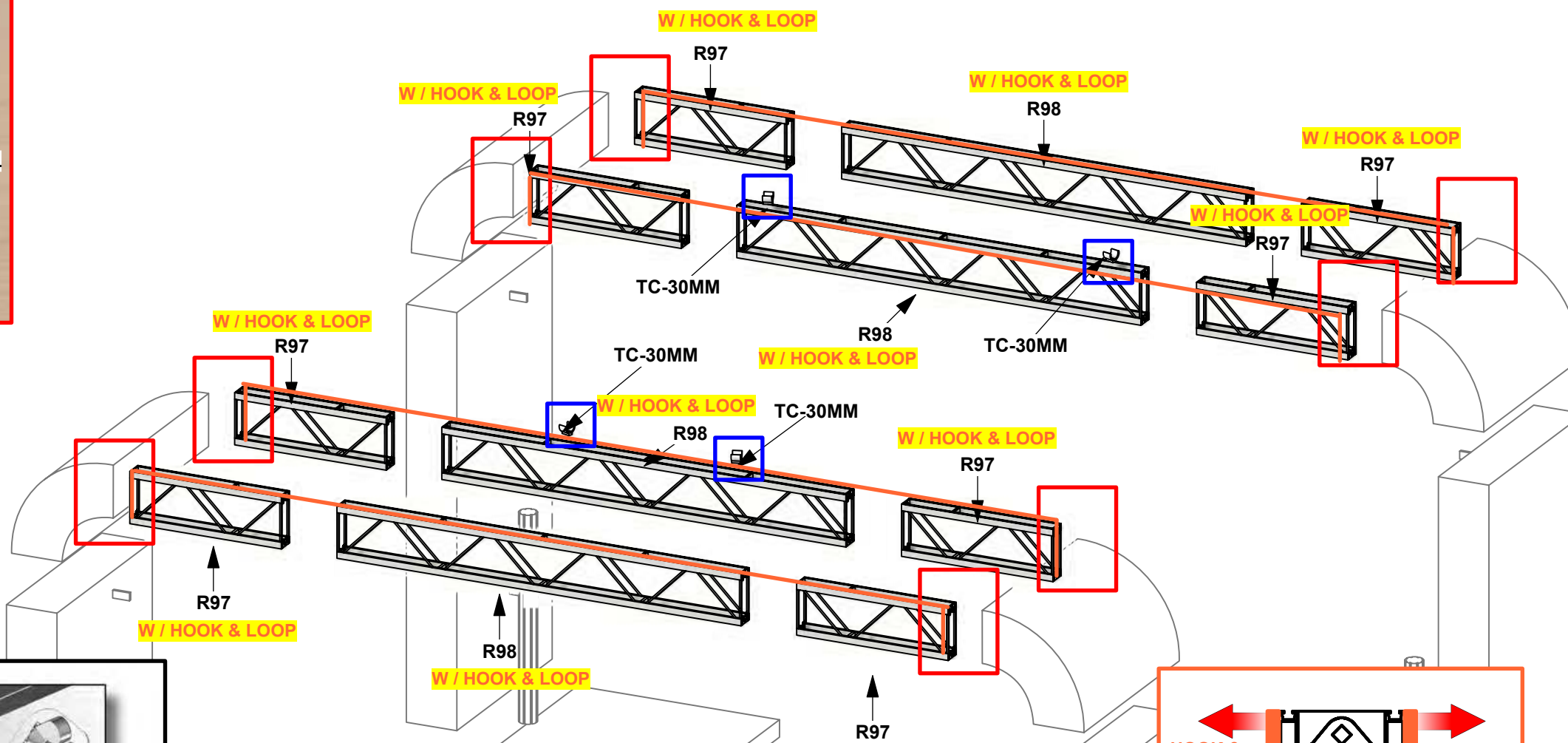
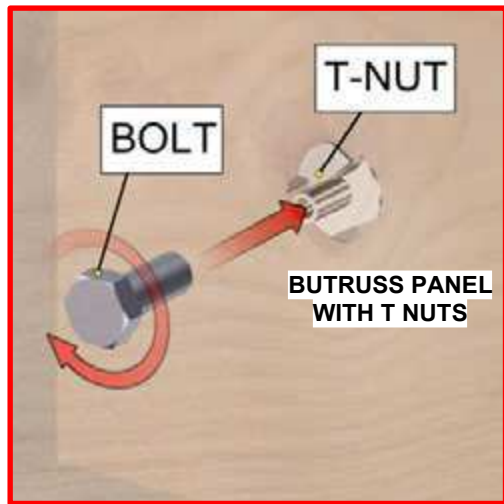
Code	#	Description
R97	8	900MM (3FT NOMINAL) MILL FINISH BOLD TRUSS
R98	4	2400MM (8FT NOMINAL) MILL FINISH BOLD TRUSS
TC-30MM	4	SILVER ANODIZE FINISH 30MM TUBE CLAMP

1. Redesign of this exhibit without approval by manufacturer may result in dangerous and unsafe structures. Manufacturer disclaims any responsibility for redesigned exhibits it does not approve in writing.

2. Parts and components such as panels and extrusions are manufactured to metric sizing. Where ever possible sizes have been noted in feet and inches as well as in metric. Below is the imperial to metric sizing table as reference. "Nominal" refers to approximate size.

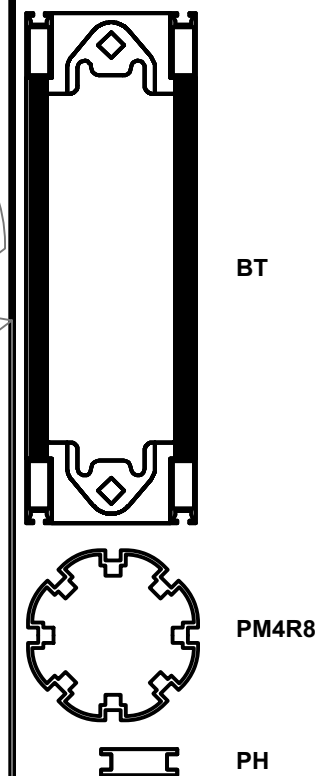
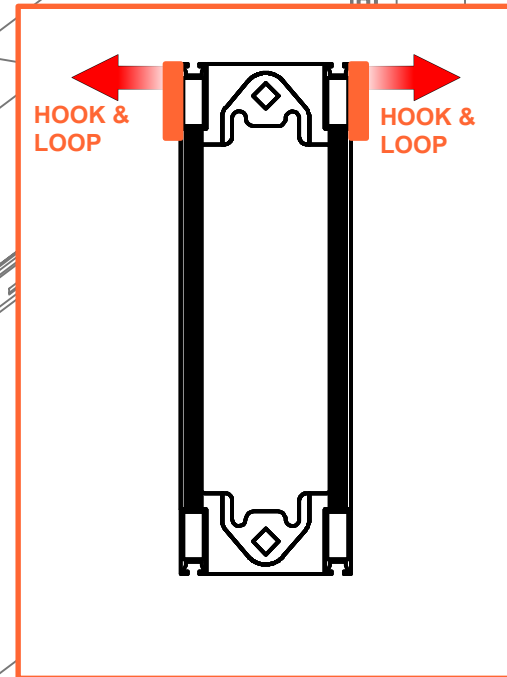
2400mm = (94 1/2")	Phone Line / Fax
2100mm = (82 5/8")	Internet connection
1800mm = (70 7/8")	Outlet
1500mm = (59")	Main Drop (point of distrution)
1200mm = (47 1/4")	
900mm = (35 1/2")	
600mm = (23 5/8")	
300mm = (11 7/8")	

--- Wire running under carpet



TC-30

- 1- SLIDE CLAMP INTO PROPER CHANNEL
- 2- SECURE CLAMP WITH PHILIPS SCREWDRIVER
- 3- PLACE TUBE STRUCTURE AND GENTLY TIGHTEN WITH 3/16" T HANDLE



HYBRID PRO RENTAL KIT

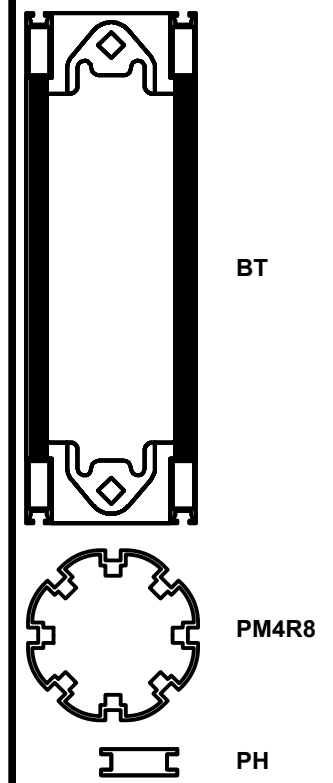
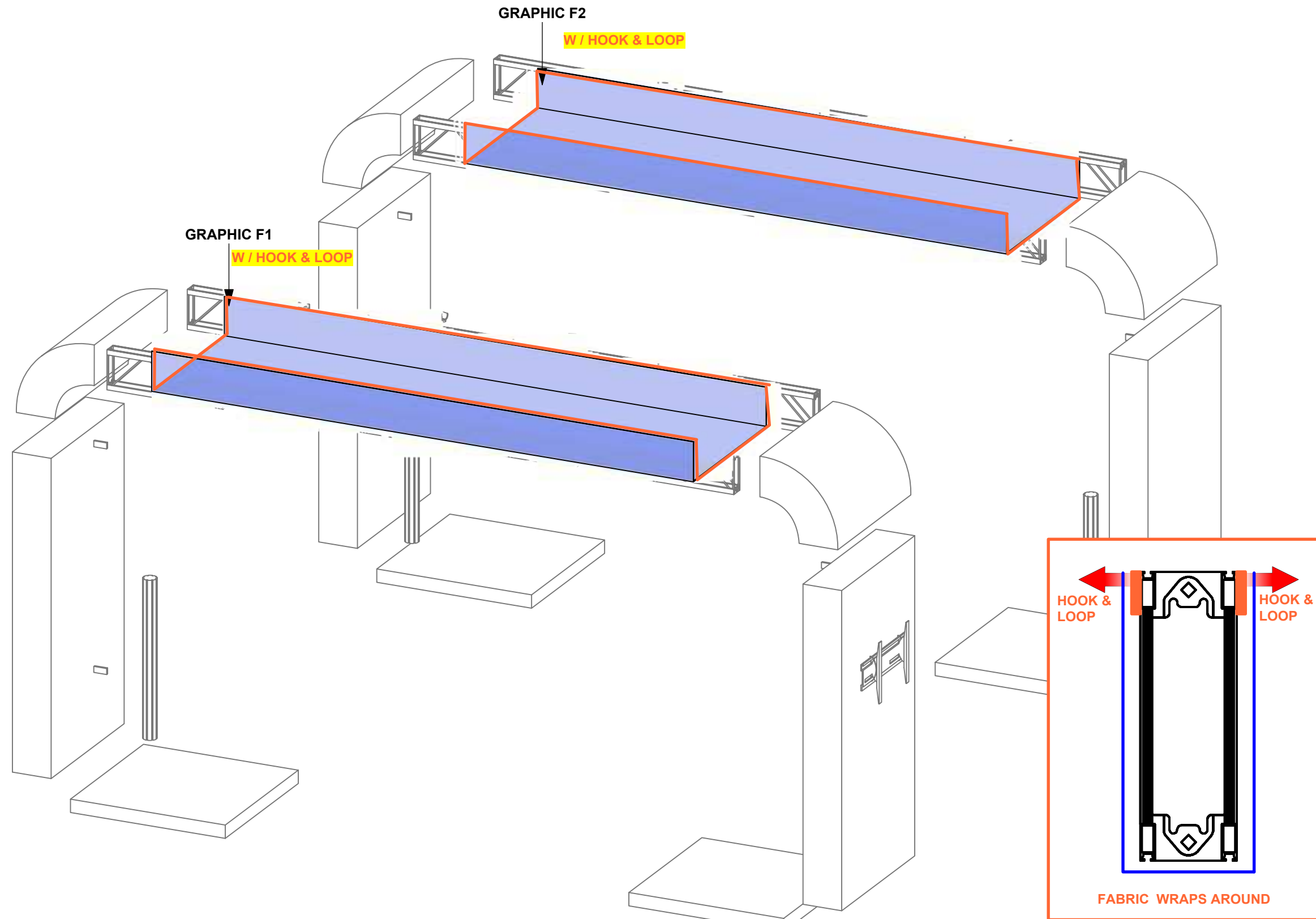
Title: SET-UP INSTRUCTIONS

Code	#	Description
GRAPHIC F1	1	55 1/8" (H) X 165 3/8" (W) SINGLE SIDED DYESUB GRAPHIC W/ HOOK & LOOP ON BACK PERIMETER. GRAPHIC WRAPS
GRAPHIC F2	1	55 1/8" (H) X 165 3/8" (W) SINGLE SIDED DYESUB GRAPHIC W/ HOOK & LOOP ON BACK PERIMETER. GRAPHIC WRAPS

1. Redesign of this exhibit without approval by manufacturer may result in dangerous and unsafe structures. Manufacturer disclaims any responsibility for redesigned exhibits it does not approve in writing.

2. Parts and components such as panels and extrusions are manufactured to metric sizing. Where ever possible sizes have been noted in feet and inches as well as in metric. Below is the imperial to metric sizing table as reference. "Nominal" refers to approximate size.

2400mm = (94 1/2")	▼ Phone Line / Fax
2100mm = (82 5/8")	⚡ Internet connection
1800mm = (70 7/8")	⚡ Outlet
1500mm = (59")	⚡ Main Drop (point of distrution)
1200mm = (47 1/4")	
900mm = (35 1/2")	
600mm = (23 5/8")	
300mm = (11 7/8")	
- - - - - Wire running under carpet	



HYBRID PRO RENTAL KIT

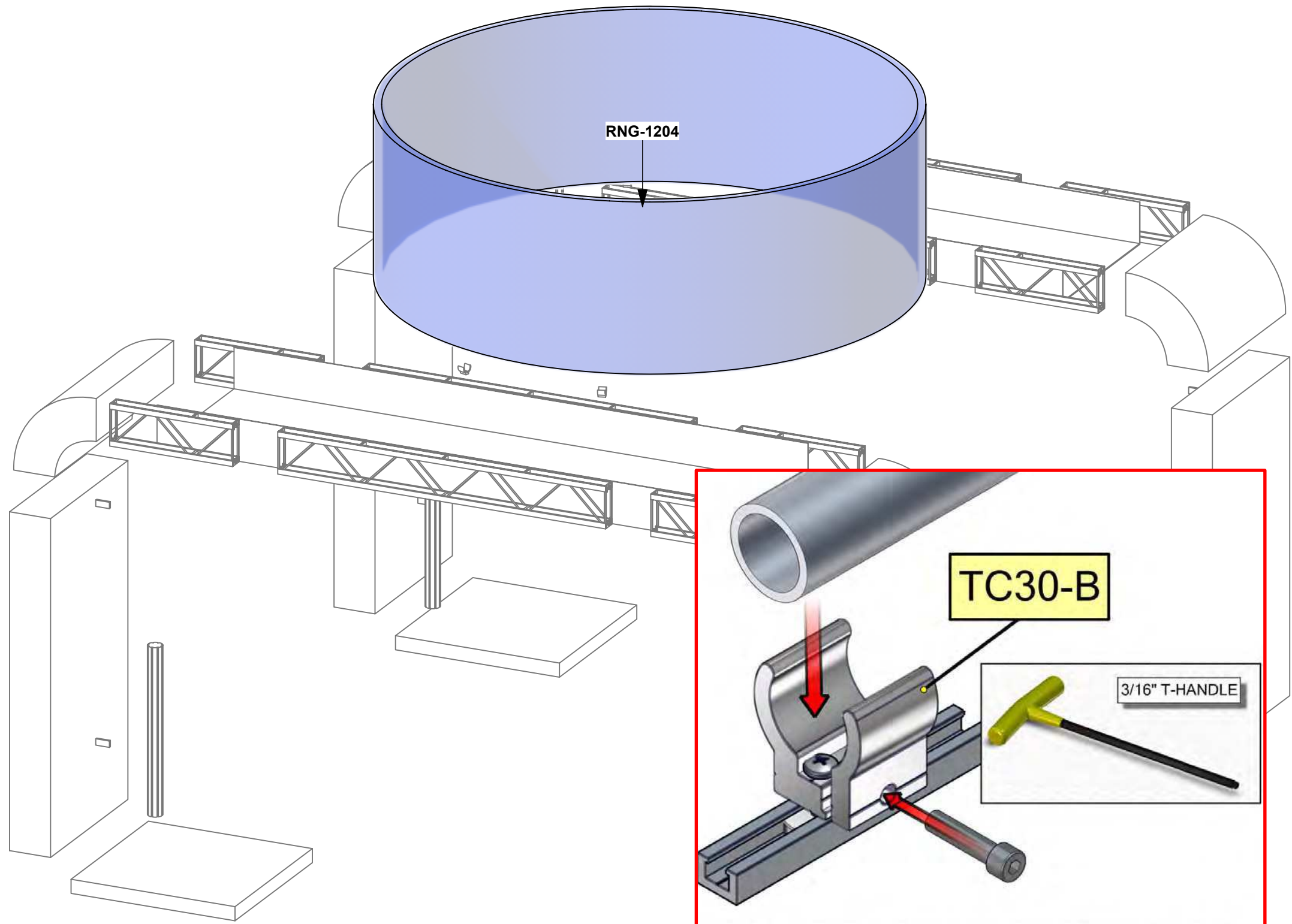
Title: SET-UP INSTRUCTIONS

Code	#	Description
RNG-1204	1	STANDARD FABRIC STRUCTURE

1. Redesign of this exhibit without approval by manufacturer may result in dangerous and unsafe structures. Manufacturer disclaims any responsibility for redesigned exhibits it does not approve in writing.

2. Parts and components such as panels and extrusions are manufactured to metric sizing. Where ever possible sizes have been noted in feet and inches as well as in metric. Below is the imperial to metric sizing table as reference. "Nominal" refers to approximate size.

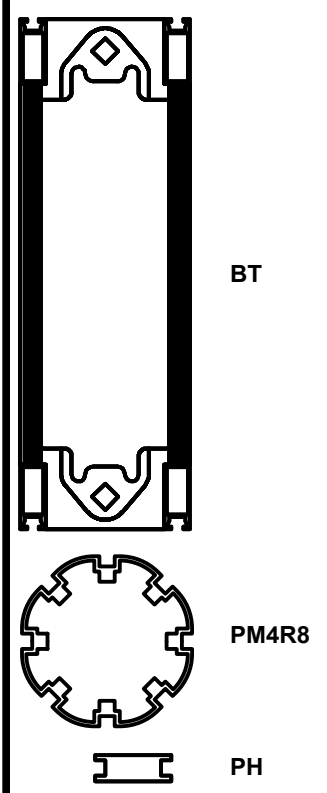
- 2400mm = (94 1/2")
 - 2100mm = (82 5/8")
 - 1800mm = (70 7/8")
 - 1500mm = (59")
 - 1200mm = (47 1/4")
 - 900mm = (35 1/2")
 - 600mm = (23 5/8")
 - 300mm = (11 7/8")
- ☒ Phone Line / Fax
 - ☒ Internet connection
 - ☒ Outlet
 - ☒ Main Drop (point of distrution)
- Wire running under carpet



TC30-B

3/16" T-HANDLE

ATTACH TC30-B WITH 3/16" T HANDLE. THEN PLACE TUBE



HYBRID PRO RENTAL KIT

Title: SET-UP INSTRUCTIONS

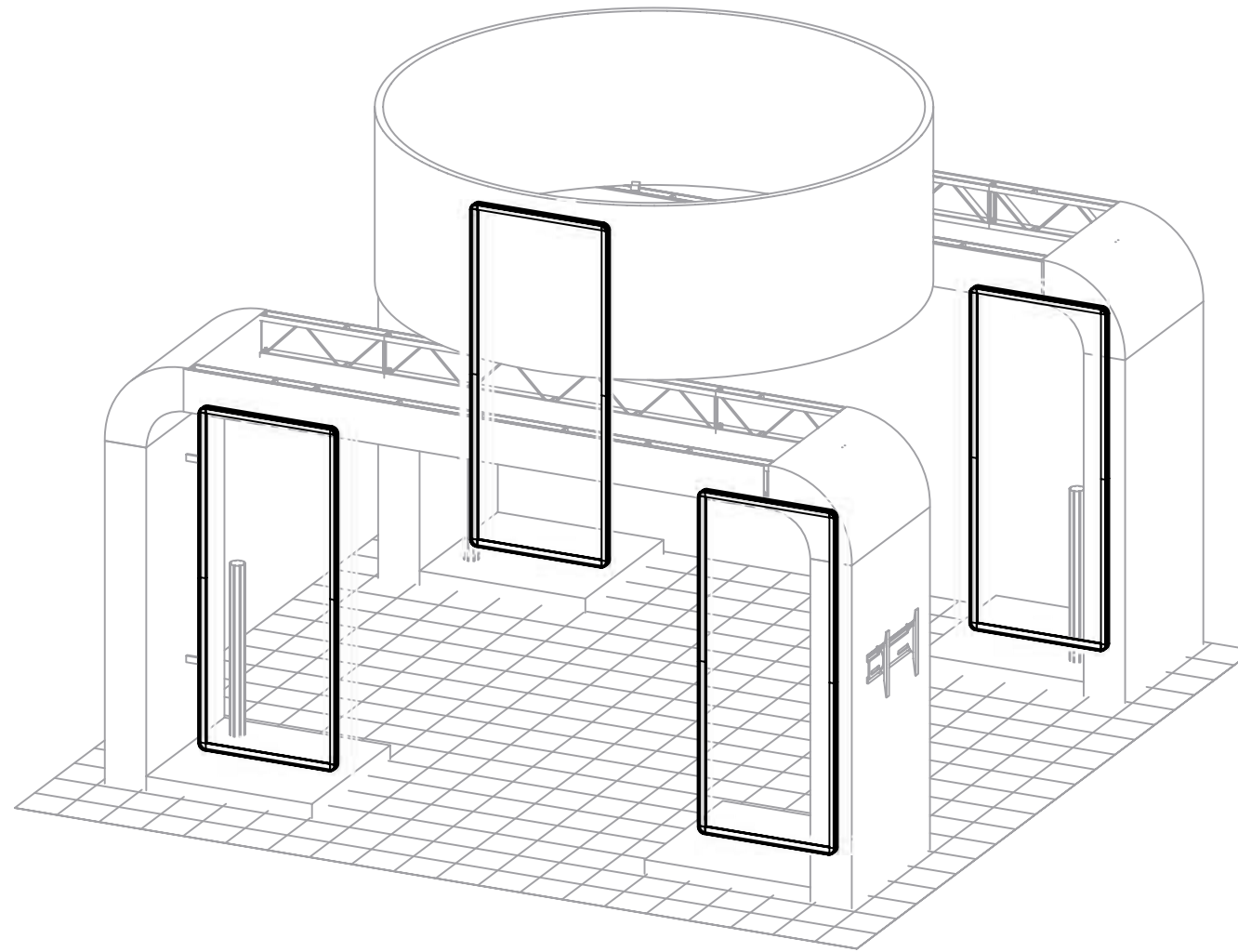
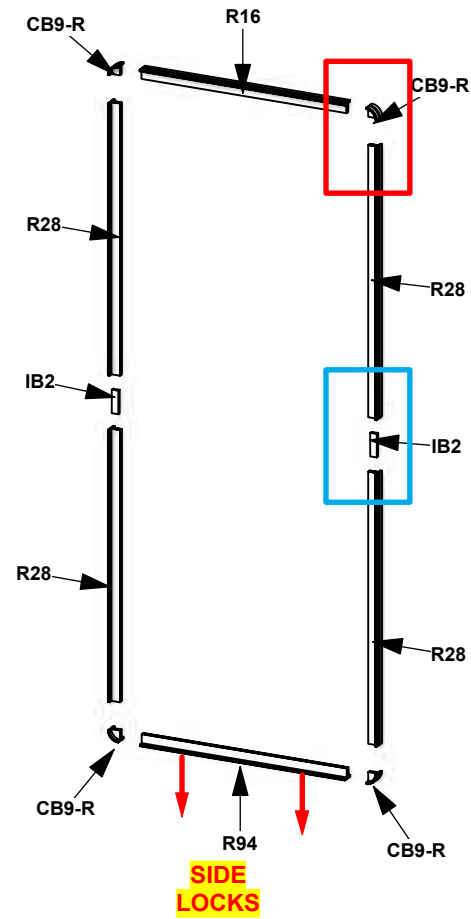
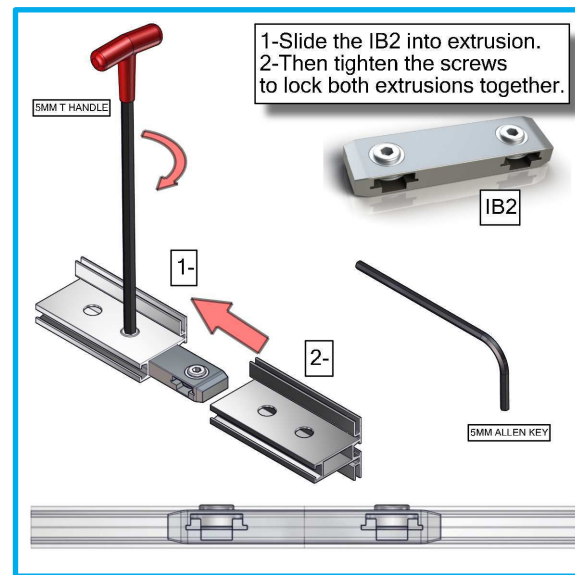
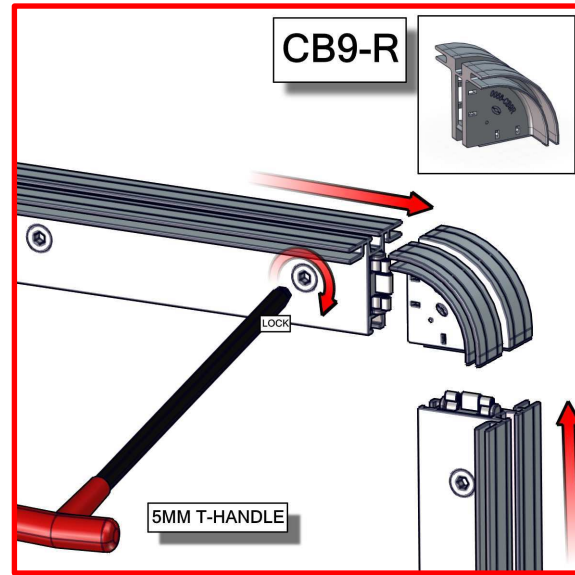
Code	#	Description
R16	4	900MM (35.43") PHFC2 EXTRUSION WITH LOCKS
IB2	8	PH INLINE CONNECTOR
CB9-R	16	50MM ROUND PHFC2 CORNER BRACKET
R28	16	1155MM (45.47") PHFC2 EXTRUSION WITH IB2 HOLES
R94	4	900MM (35.43") PHFC2 EXTRUSION WITH LOCKS

1. Redesign of this exhibit without approval by manufacturer may result in dangerous and unsafe structures. Manufacturer disclaims any responsibility for redesigned exhibits it does not approve in writing.

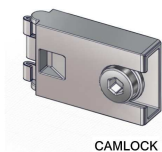
2. Parts and components such as panels and extrusions are manufactured to metric sizing. Where ever possible sizes have been noted in feet and inches as well as in metric. Below is the imperial to metric sizing table as reference. "Nominal" refers to approximate size.

2400mm = (94 1/2")	Phone Line / Fax
2100mm = (82 5/8")	Internet connection
1800mm = (70 7/8")	Outlet
1500mm = (59")	Main Drop (point of distrution)
1200mm = (47 1/4")	
900mm = (35 1/2")	
600mm = (23 5/8")	
300mm = (11 7/8")	

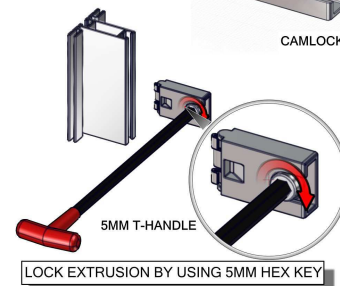
--- Wire running under carpet



LOCK FRAME TO BASE



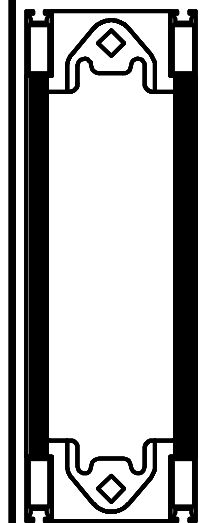
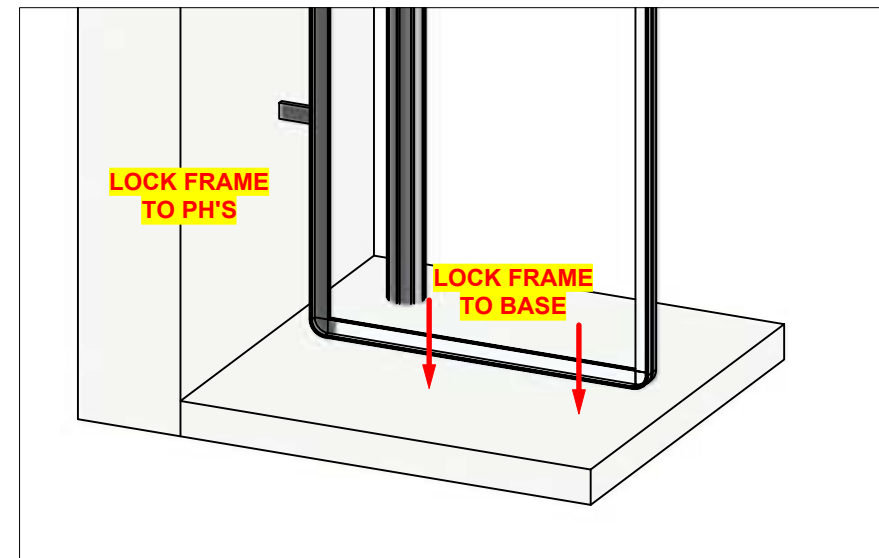
WARNING!
Locks should ONLY be turned a quarter turn, so as not to STRIP the locks by over torquing them



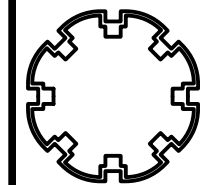
LOCK EXTRUSION BY USING 5MM HEX KEY

LOCK FRAME TO PH'S

LOCK FRAME TO BASE



BT



PM4R8



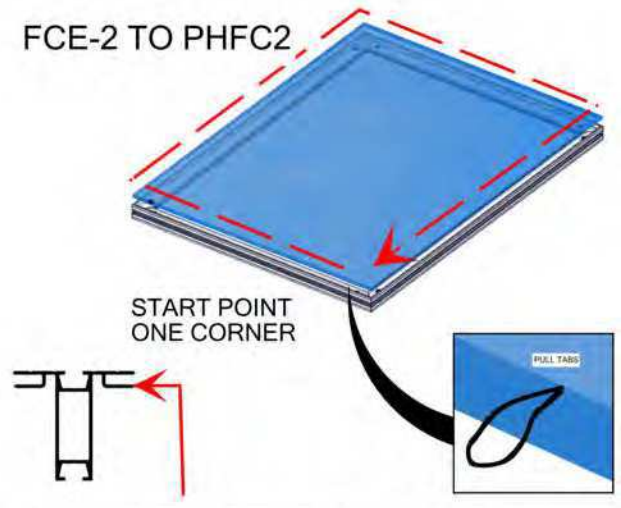
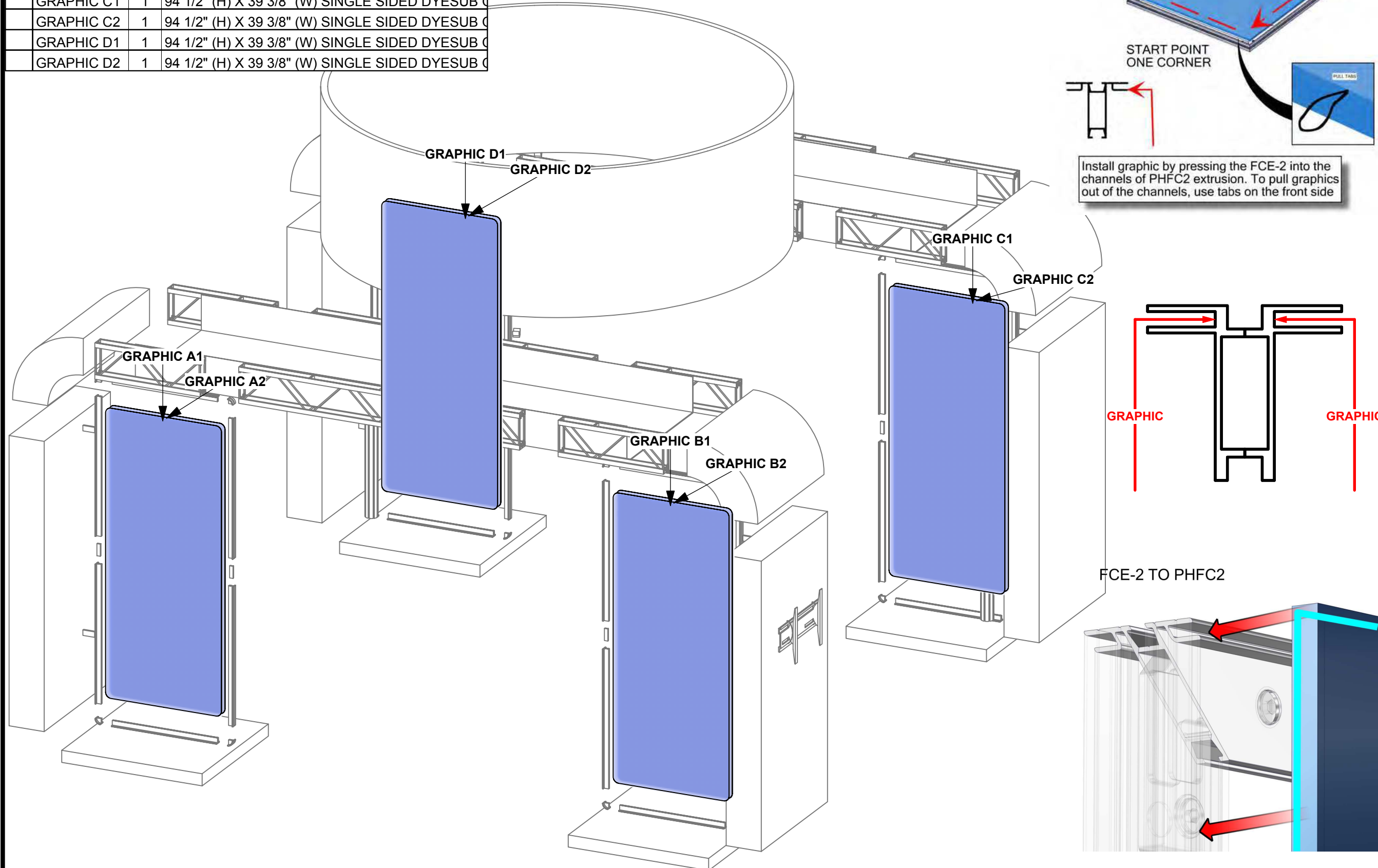
PH

HYBRID PRO RENTAL KIT

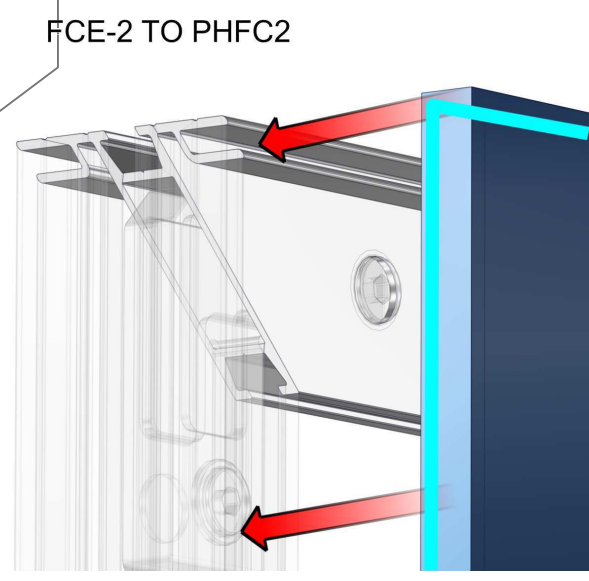
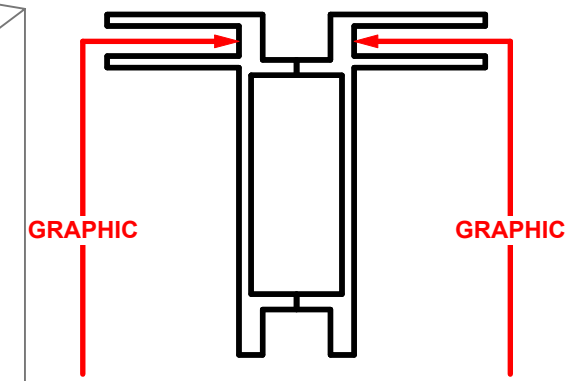
Title: SET-UP INSTRUCTIONS

BUILD 4 UNITS AND LOCK THEM IN PLACE

Code	#	Description
GRAPHIC B2	1	94 1/2" (H) X 39 3/8" (W) SINGLE SIDED DYESUB C
GRAPHIC B1	1	94 1/2" (H) X 39 3/8" (W) SINGLE SIDED DYESUB C
GRAPHIC A2	1	94 1/2" (H) X 39 3/8" (W) SINGLE SIDED DYESUB C
GRAPHIC A1	1	94 1/2" (H) X 39 3/8" (W) SINGLE SIDED DYESUB C
GRAPHIC C1	1	94 1/2" (H) X 39 3/8" (W) SINGLE SIDED DYESUB C
GRAPHIC C2	1	94 1/2" (H) X 39 3/8" (W) SINGLE SIDED DYESUB C
GRAPHIC D1	1	94 1/2" (H) X 39 3/8" (W) SINGLE SIDED DYESUB C
GRAPHIC D2	1	94 1/2" (H) X 39 3/8" (W) SINGLE SIDED DYESUB C



Install graphic by pressing the FCE-2 into the channels of PHFC2 extrusion. To pull graphics out of the channels, use tabs on the front side

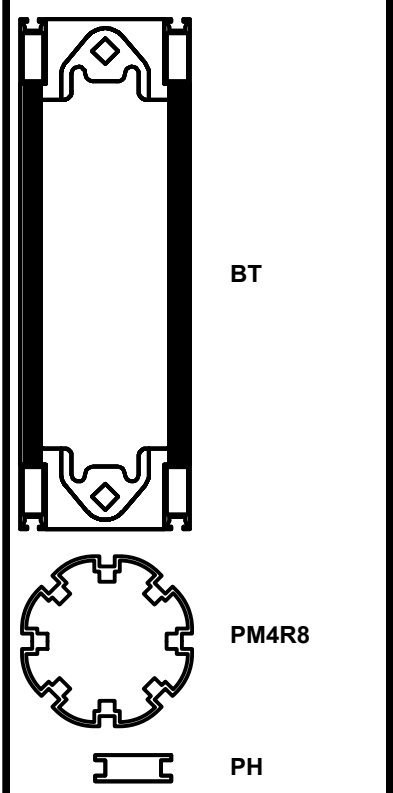


1. Redesign of this exhibit without approval by manufacturer may result in dangerous and unsafe structures. Manufacturer disclaims any responsibility for redesigned exhibits it does not approve in writing.

2. Parts and components such as panels and extrusions are manufactured to metric sizing. Where ever possible sizes have been noted in feet and inches as well as in metric. Below is the imperial to metric sizing table as reference. "Nominal" refers to approximate size.

2400mm = (94 1/2")	☒ Phone Line / Fax
2100mm = (82 5/8")	☒ Internet connection
1800mm = (70 7/8")	☒ Outlet
1500mm = (59")	☒ Main Drop (point of distrution)
1200mm = (47 1/4")	
900mm = (35 1/2")	
600mm = (23 5/8")	
300mm = (11 7/8")	

--- Wire running under carpet



HYBRID PRO RENTAL KIT

Title: SET-UP INSTRUCTIONS

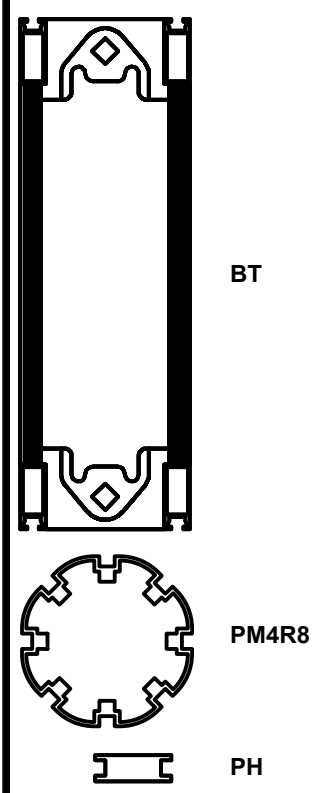
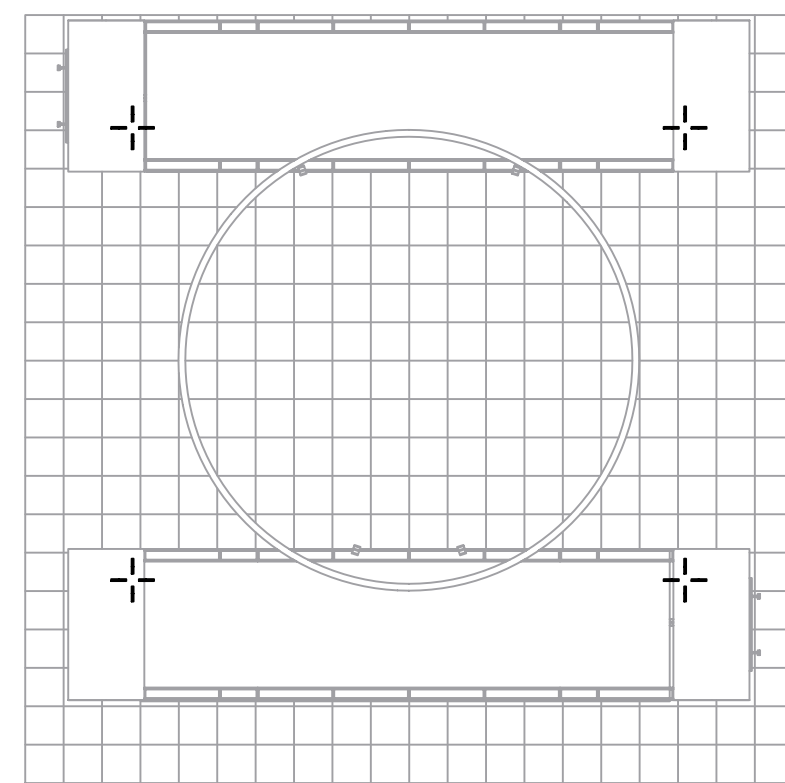
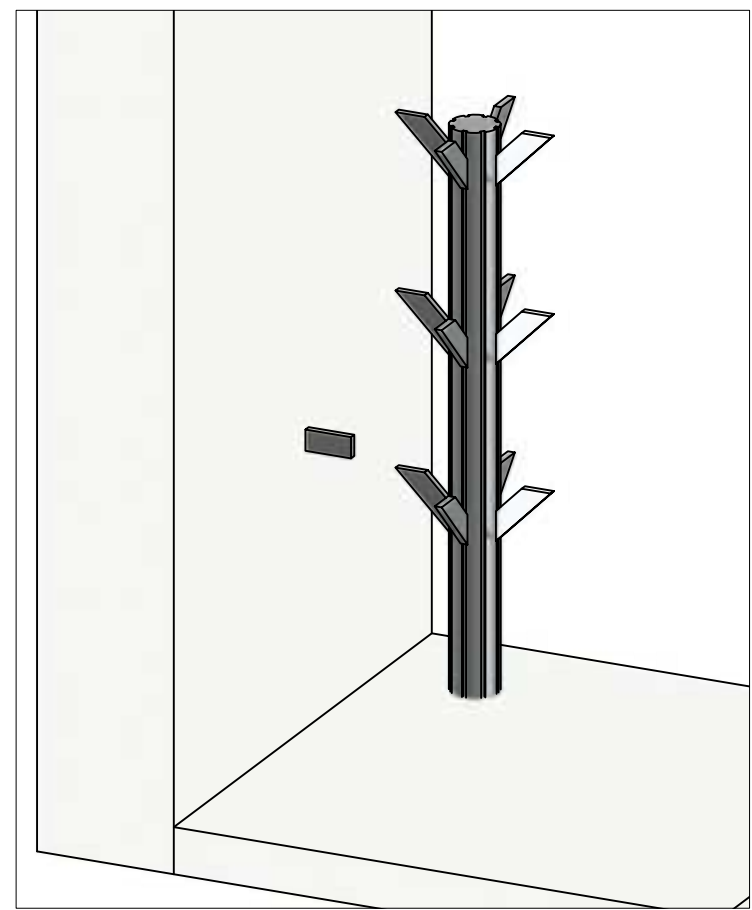
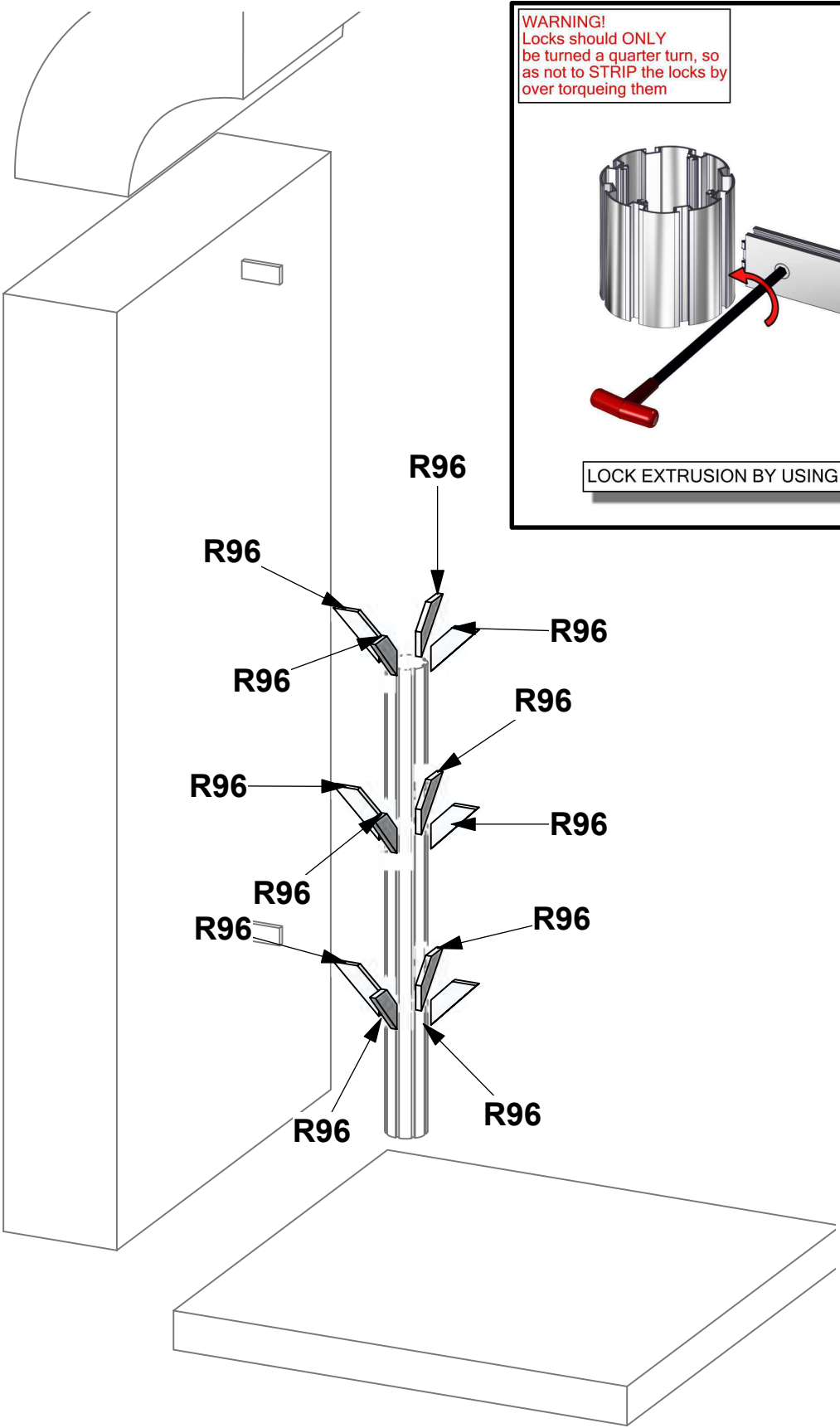
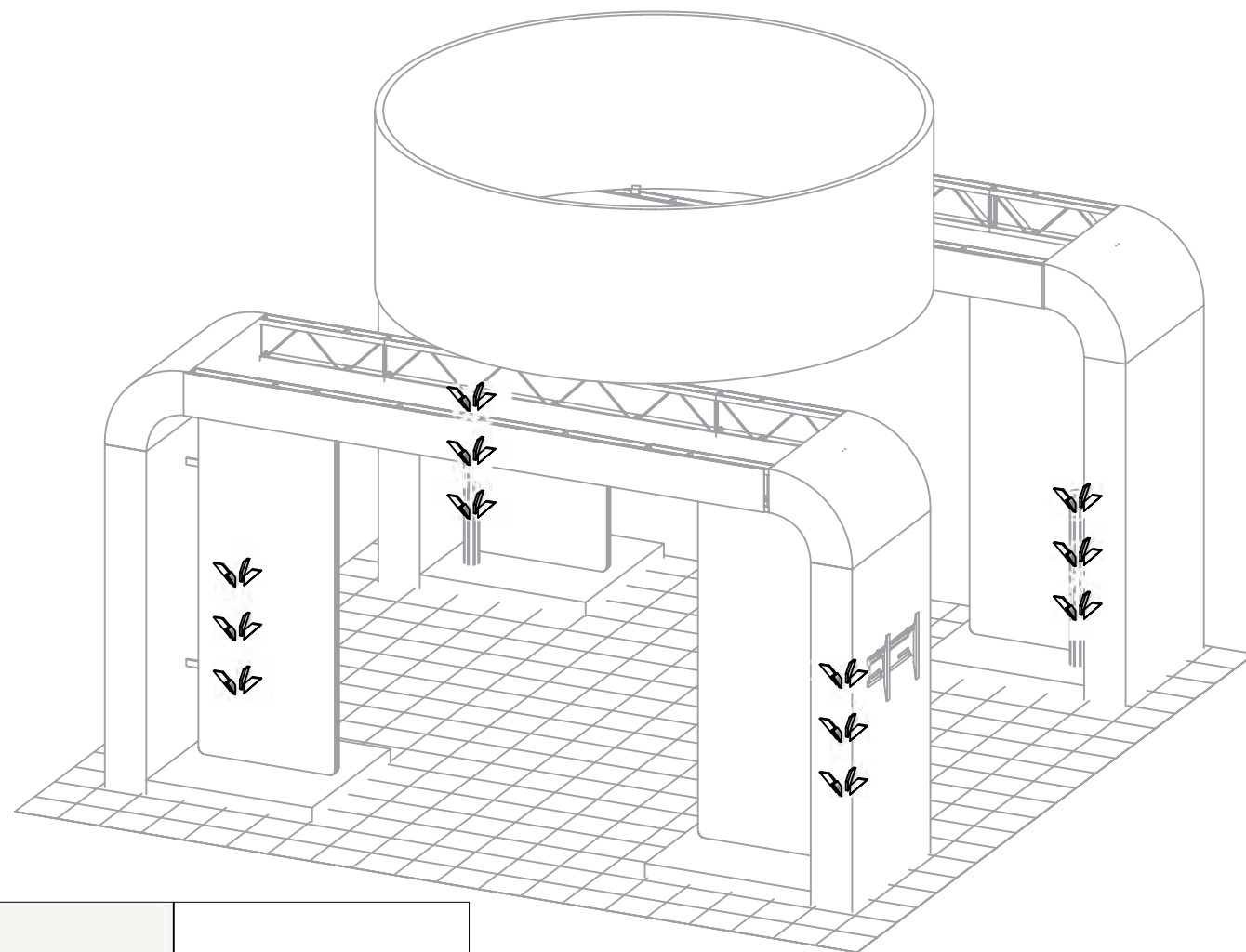
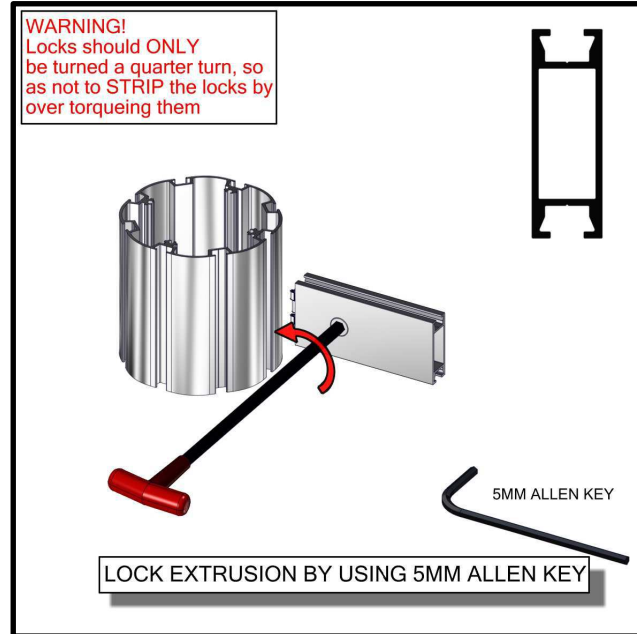
Code	#	Description
R96	48	170MM (6.69") PH GUSSET EXTRUSION MITER CUT

1. Redesign of this exhibit without approval by manufacturer may result in dangerous and unsafe structures. Manufacturer disclaims any responsibility for redesigned exhibits it does not approve in writing.

2. Parts and components such as panels and extrusions are manufactured to metric sizing. Where ever possible sizes have been noted in feet and inches as well as in metric. Below is the imperial to metric sizing table as reference. "Nominal" refers to approximate size.

2400mm = (94 1/2")	▼ Phone Line / Fax
2100mm = (82 5/8")	⚡ Internet connection
1800mm = (70 7/8")	⚡ Outlet
1500mm = (59")	⚡ Main Drop (point of distrution)
1200mm = (47 1/4")	
900mm = (35 1/2")	
600mm = (23 5/8")	
300mm = (11 7/8")	

--- Wire running under carpet



HYBRID PRO RENTAL KIT

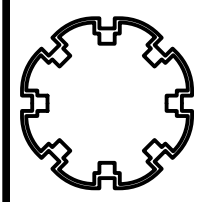
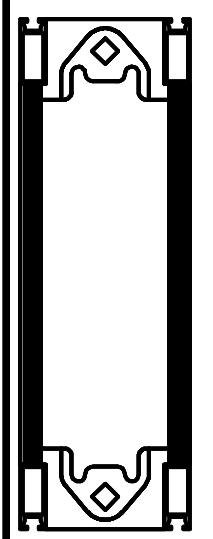
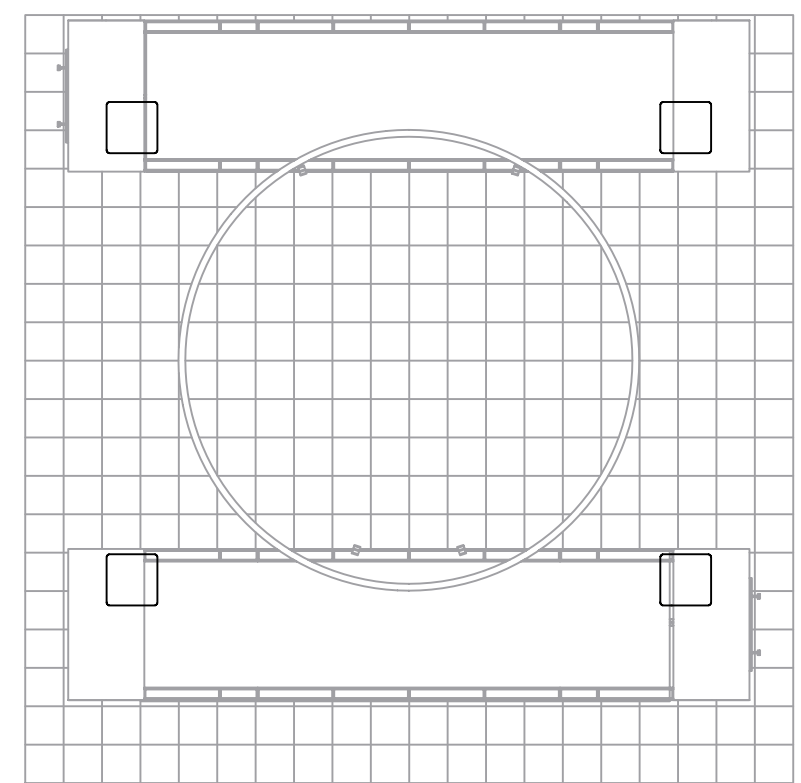
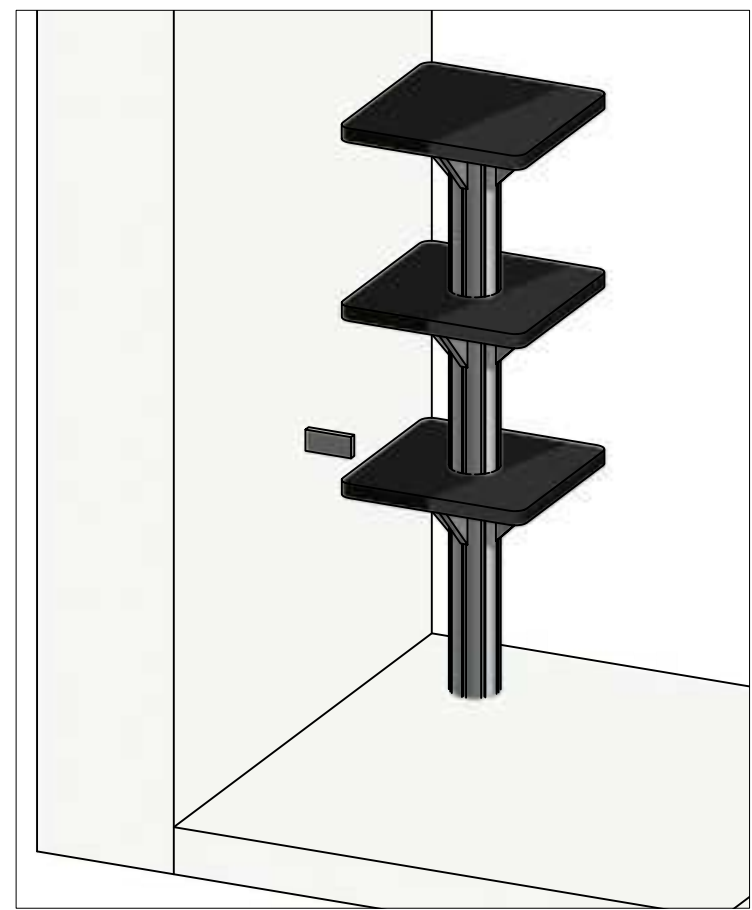
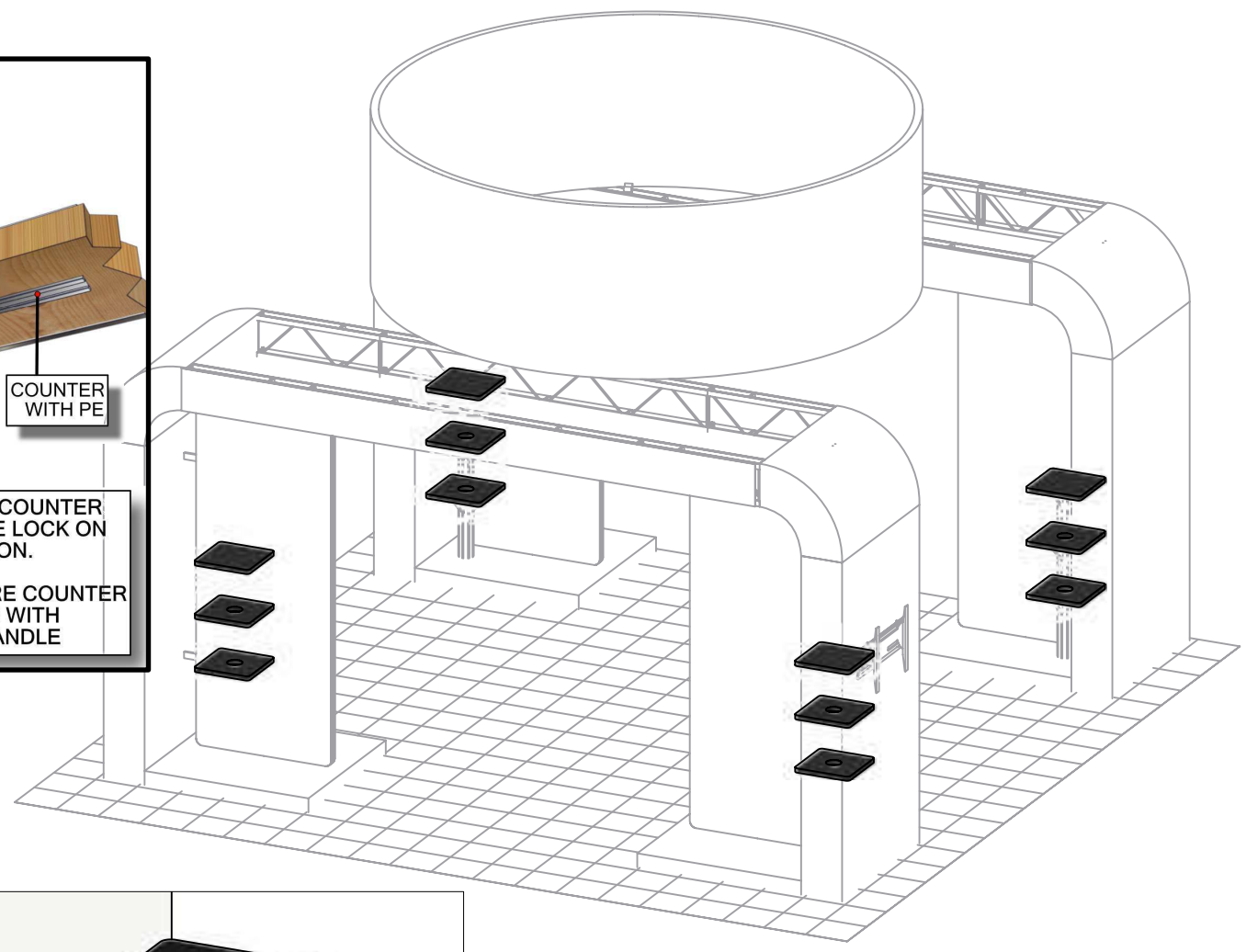
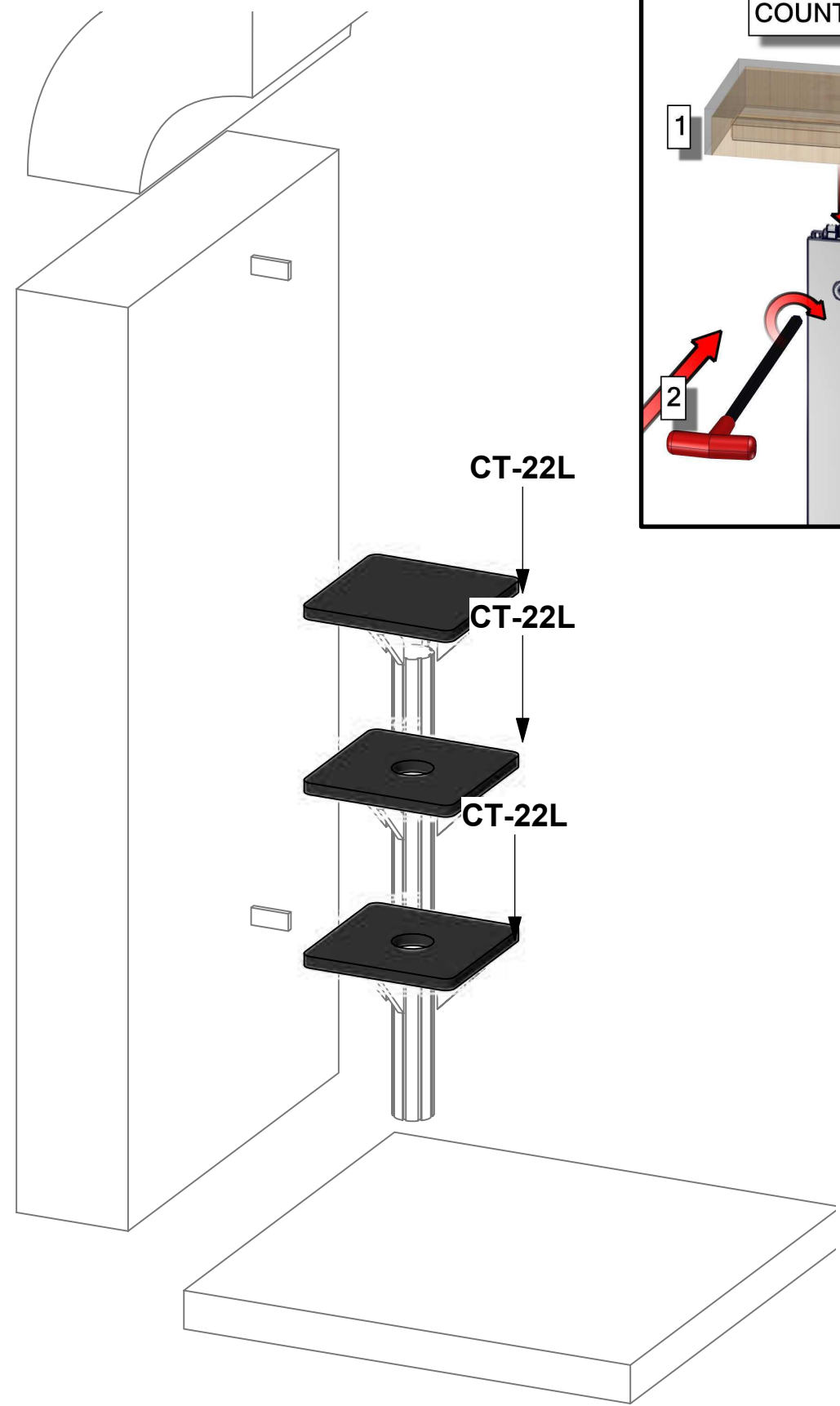
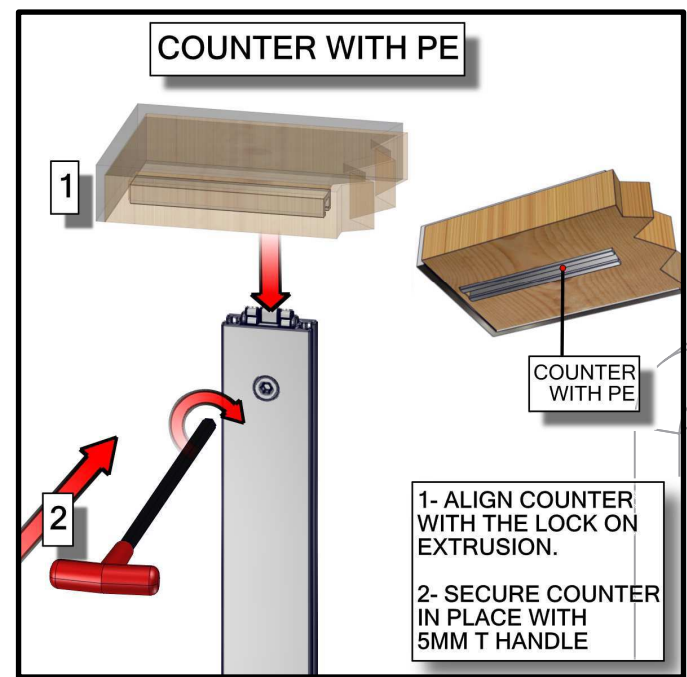
Title: SET-UP INSTRUCTIONS

Code	#	Description
CT-22L	4	406MM X 406MM X 30MM LAMINATE COUNTER T
CT-22L	8	406MM X 406MM X 30MM LAMINATE COUNTER T

1. Redesign of this exhibit without approval by manufacturer may result in dangerous and unsafe structures. Manufacturer disclaims any responsibility for redesigned exhibits it does not approve in writing.

2. Parts and components such as panels and extrusions are manufactured to metric sizing. Where ever possible sizes have been noted in feet and inches as well as in metric. Below is the imperial to metric sizing table as reference. "Nominal" refers to approximate size.

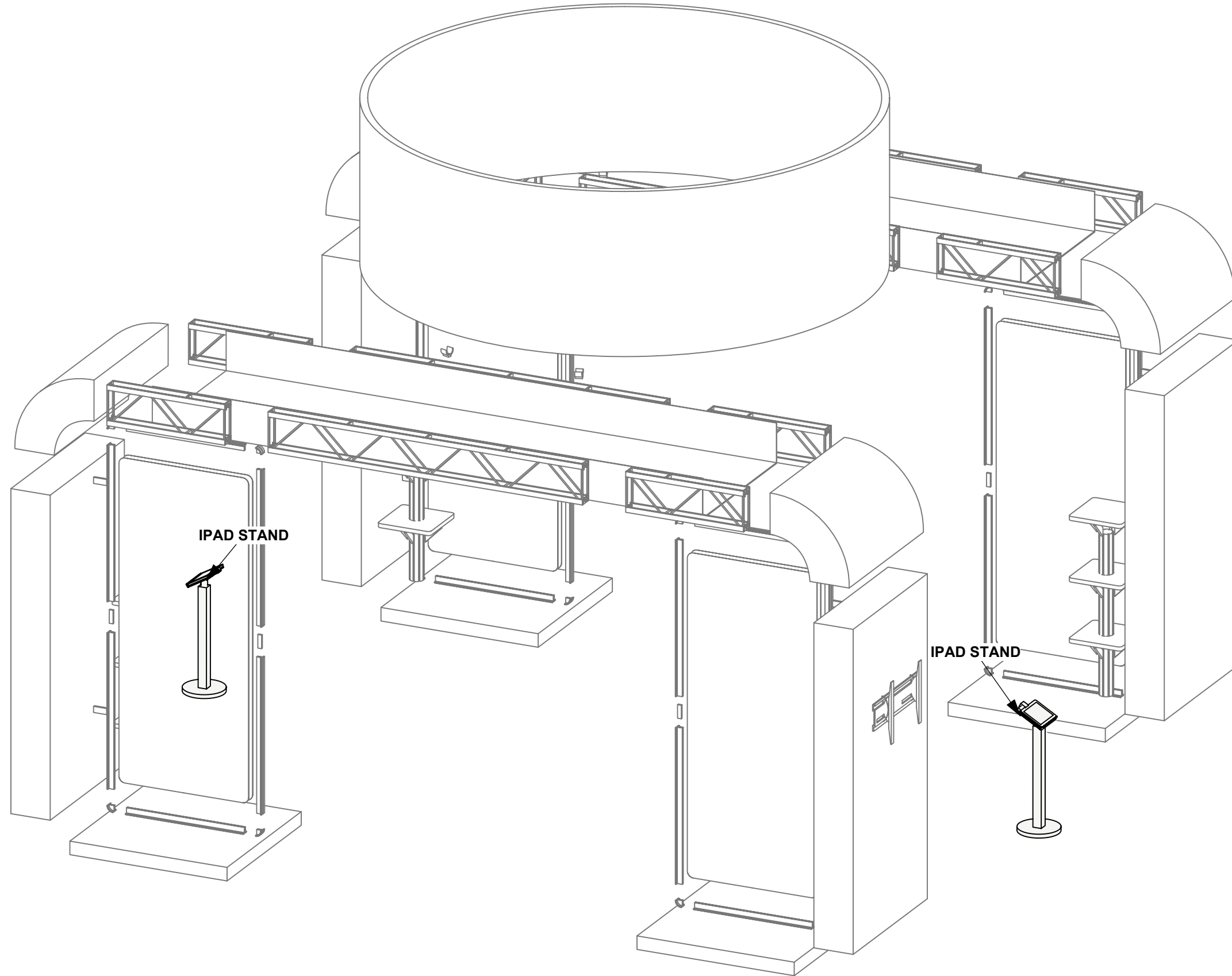
- 2400mm = (94 1/2")
 - 2100mm = (82 5/8")
 - 1800mm = (70 7/8")
 - 1500mm = (59")
 - 1200mm = (47 1/4")
 - 900mm = (35 1/2")
 - 600mm = (23 5/8")
 - 300mm = (11 7/8")
- Phone Line / Fax
 - Internet connection
 - Outlet
 - Main Drop (point of distrution)
- Wire running under carpet



HYBRID PRO RENTAL KIT

Title: SET-UP INSTRUCTIONS

Code	#	Description
	2	ipad
IPAD STAND	4	IPAD STAND WITHOUT CASE (WHITE BASE/ BLA

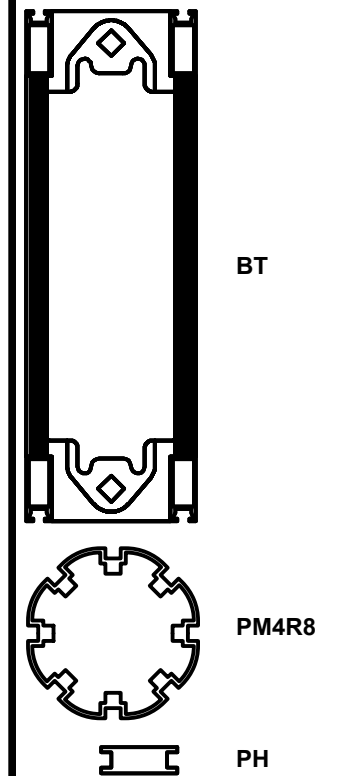


1. Redesign of this exhibit without approval by manufacturer may result in dangerous and unsafe structures. Manufacturer disclaims any responsibility for redesigned exhibits it does not approve in writing.

2. Parts and components such as panels and extrusions are manufactured to metric sizing. Where ever possible sizes have been noted in feet and inches as well as in metric. Below is the imperial to metric sizing table as reference. "Nominal" refers to approximate size.

2400mm = (94 1/2")	▼ Phone Line / Fax
2100mm = (82 5/8")	▼ Internet connection
1800mm = (70 7/8")	▼ Outlet
1500mm = (59")	▼ Main Drop (point of distrution)
1200mm = (47 1/4")	
900mm = (35 1/2")	
600mm = (23 5/8")	
300mm = (11 7/8")	

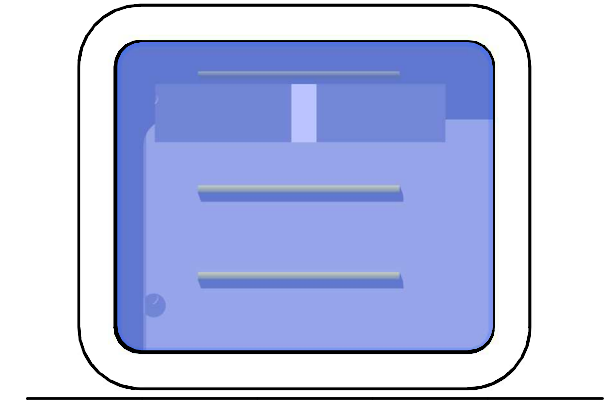
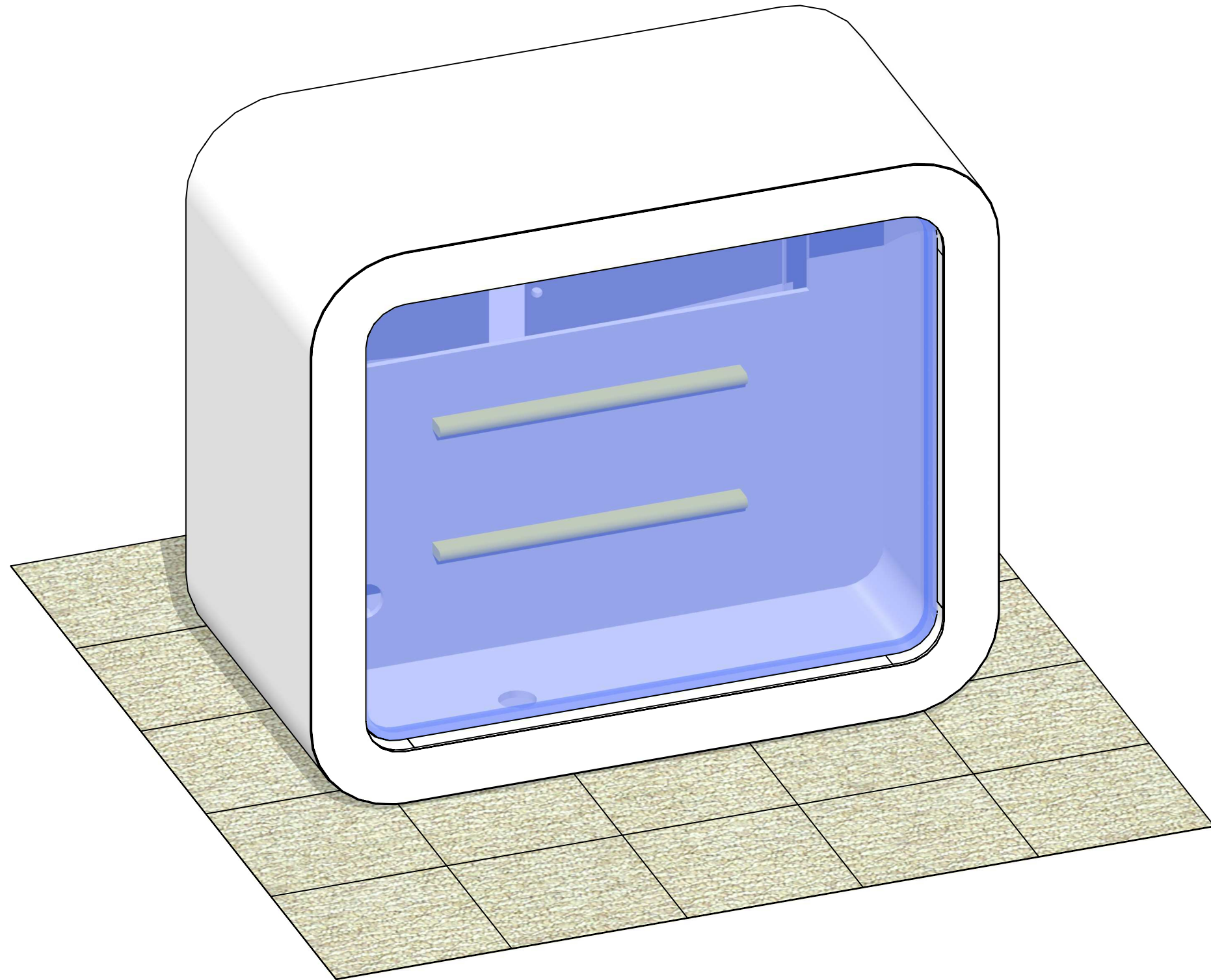
--- Wire running under carpet



HYBRID PRO RENTAL KIT

Title: SET-UP INSTRUCTIONS

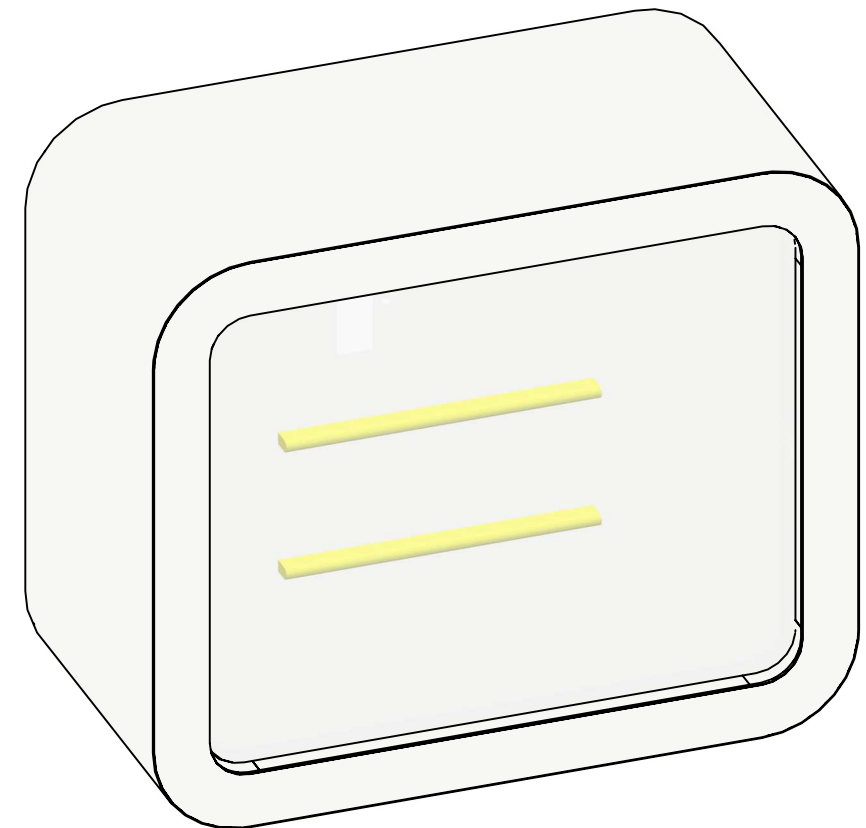
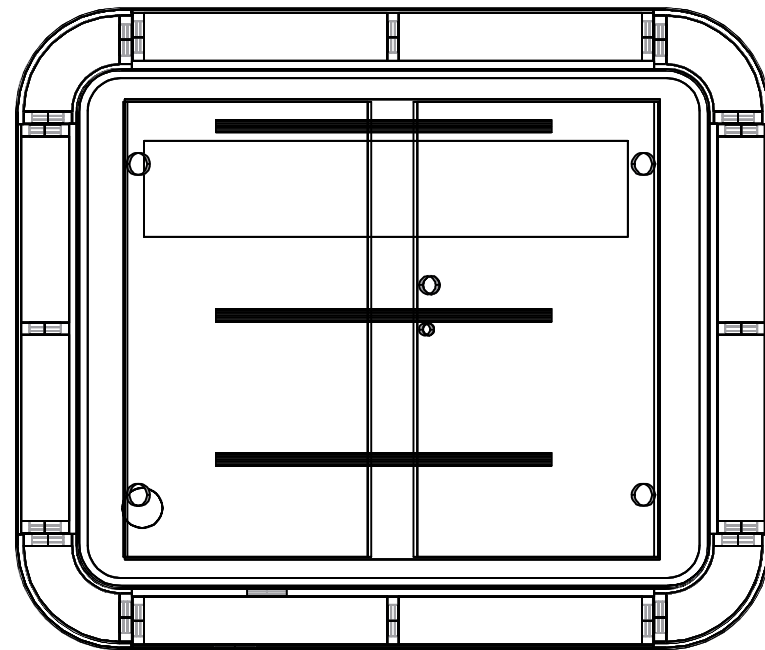
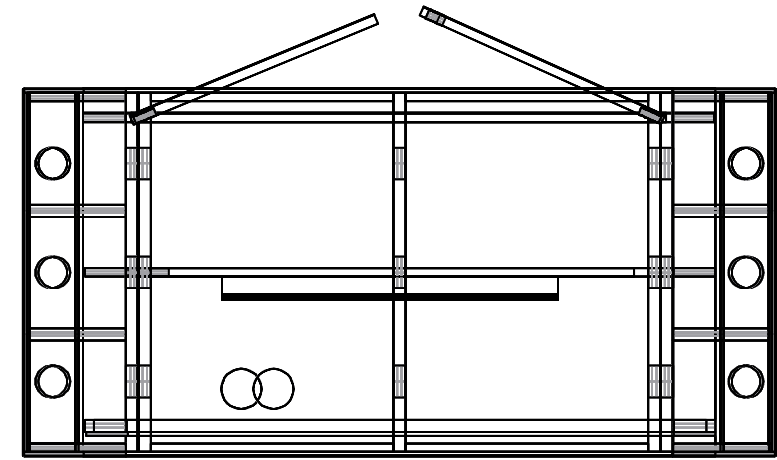
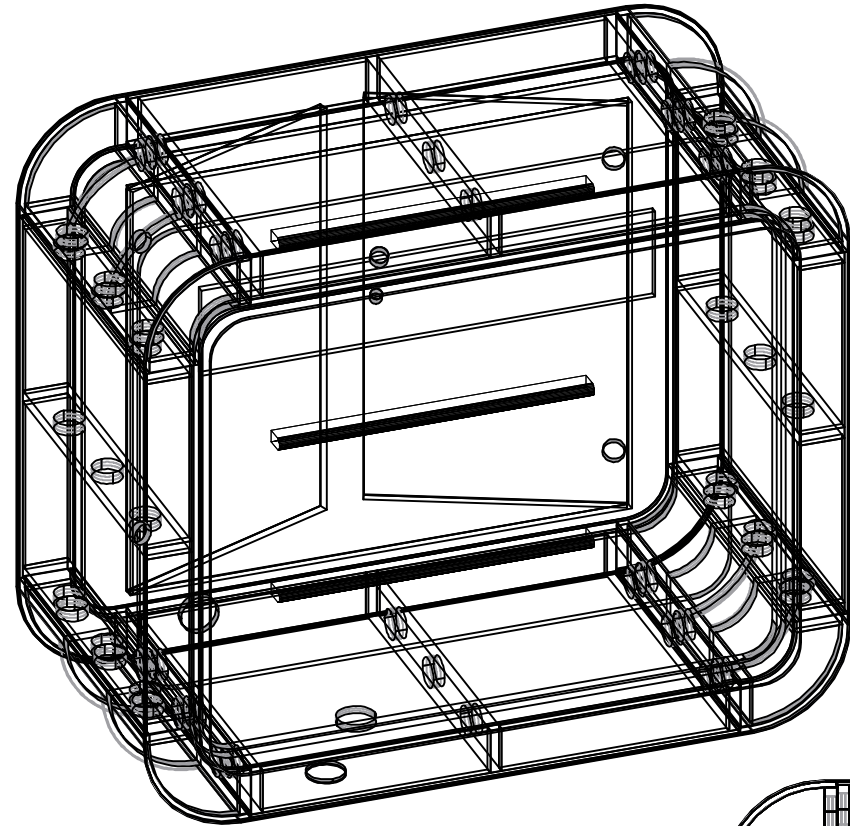
R-REC-42



Code	#	Description
R-REC-42	1	40" (V) X 23" X 47" CUSTOM COUNTER WITH FRONT BACKLIT GRAPHIC
GRAPHIC E	1	32 5/16" (H) X 39 3/8" (W) BACKLIT DSG GRAPHIC ON 6MM PET-G WITH ROUNDED CORNERS
FL421	3	21" FLUORESCENT SINGLE BULB LIGHT

BOM

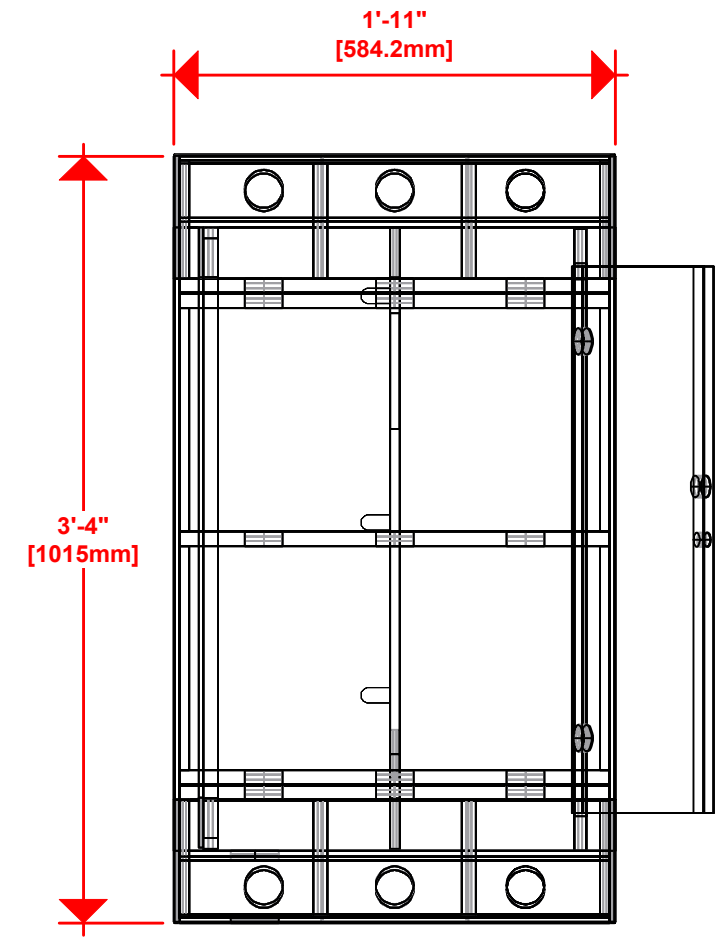
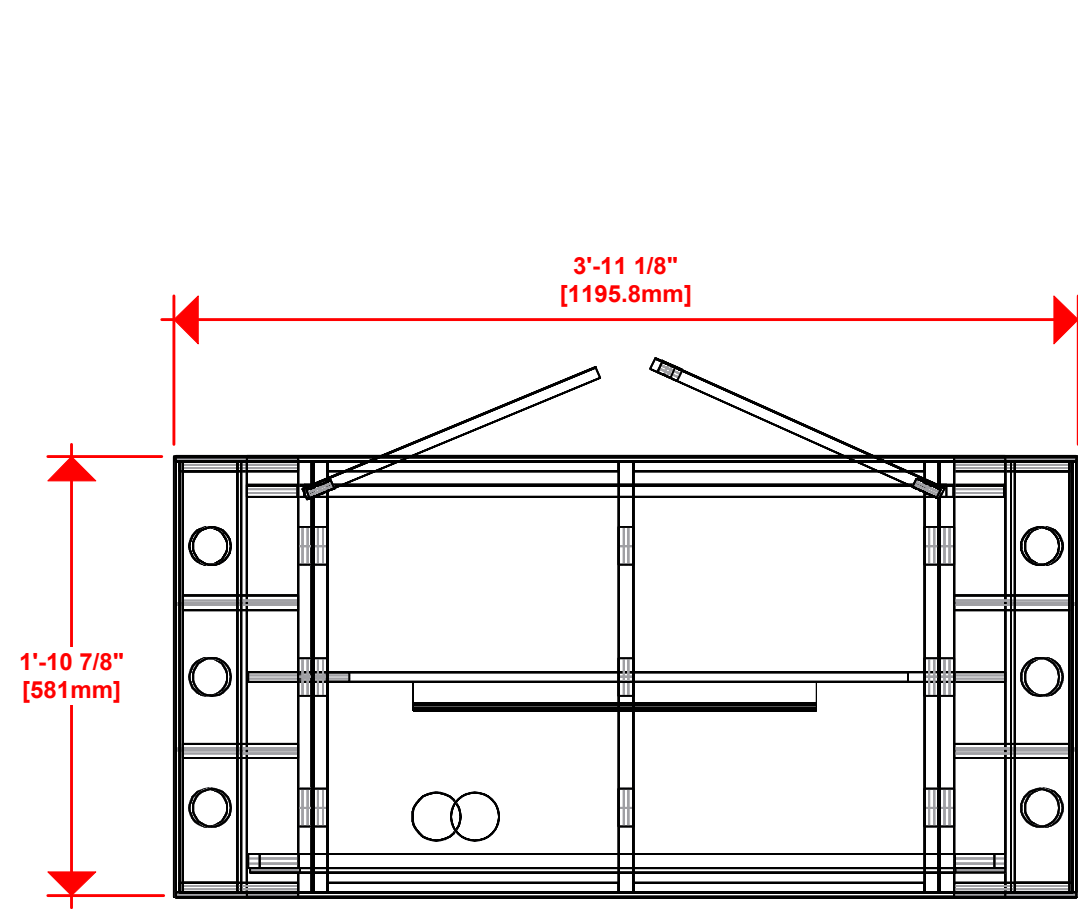
R-REC-42

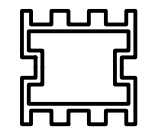
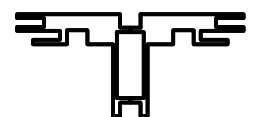
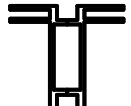




1. Redesign of this exhibit without approval by manufacturer may result in dangerous and unsafe structures. Manufacturer disclaims any responsibility for redesigned exhibits it does not approve in writing.

2. Parts and components such as panels and extrusions are manufactured to metric sizing. Where ever possible sizes have been noted in feet and inches as well as in metric. Below is the imperial to metric sizing table as reference. "Nominal" refers to approximate size.

- | | |
|--------------------|-----------------------------------|
| 2400mm = (94 1/2") | ☒ Phone Line / Fax |
| 2100mm = (82 5/8") | ☒ Internet connection |
| 1800mm = (70 7/8") | ☒ Outlet |
| 1500mm = (59") | ☒ Main Drop (point of distrution) |
| 1200mm = (47 1/4") | |
| 900mm = (35 1/2") | |
| 600mm = (23 5/8") | |
| 300mm = (11 7/8") | |
- Wire running under carpet



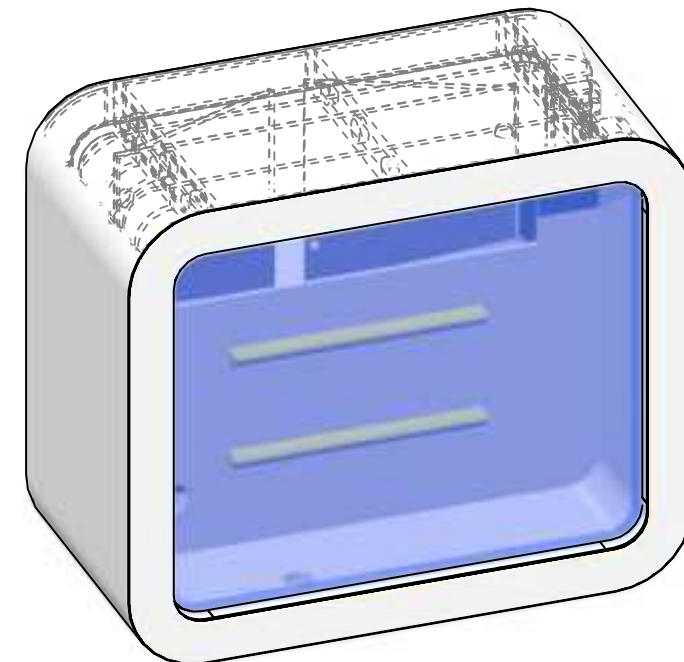
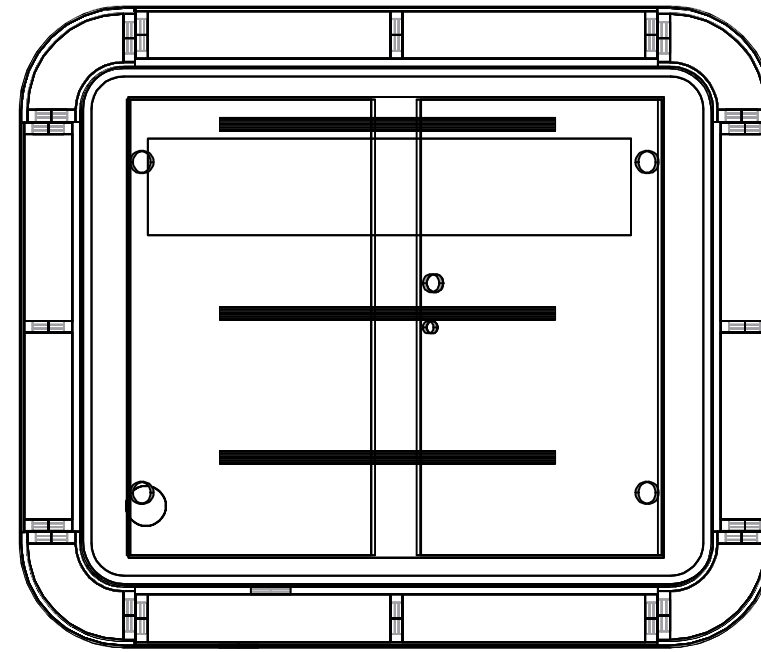
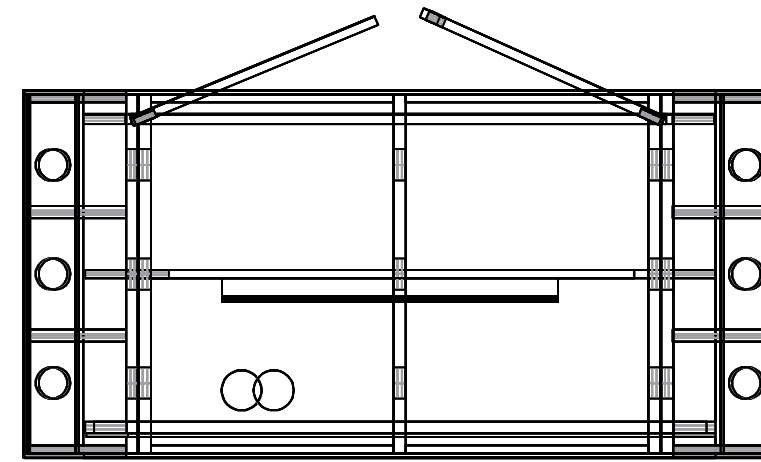
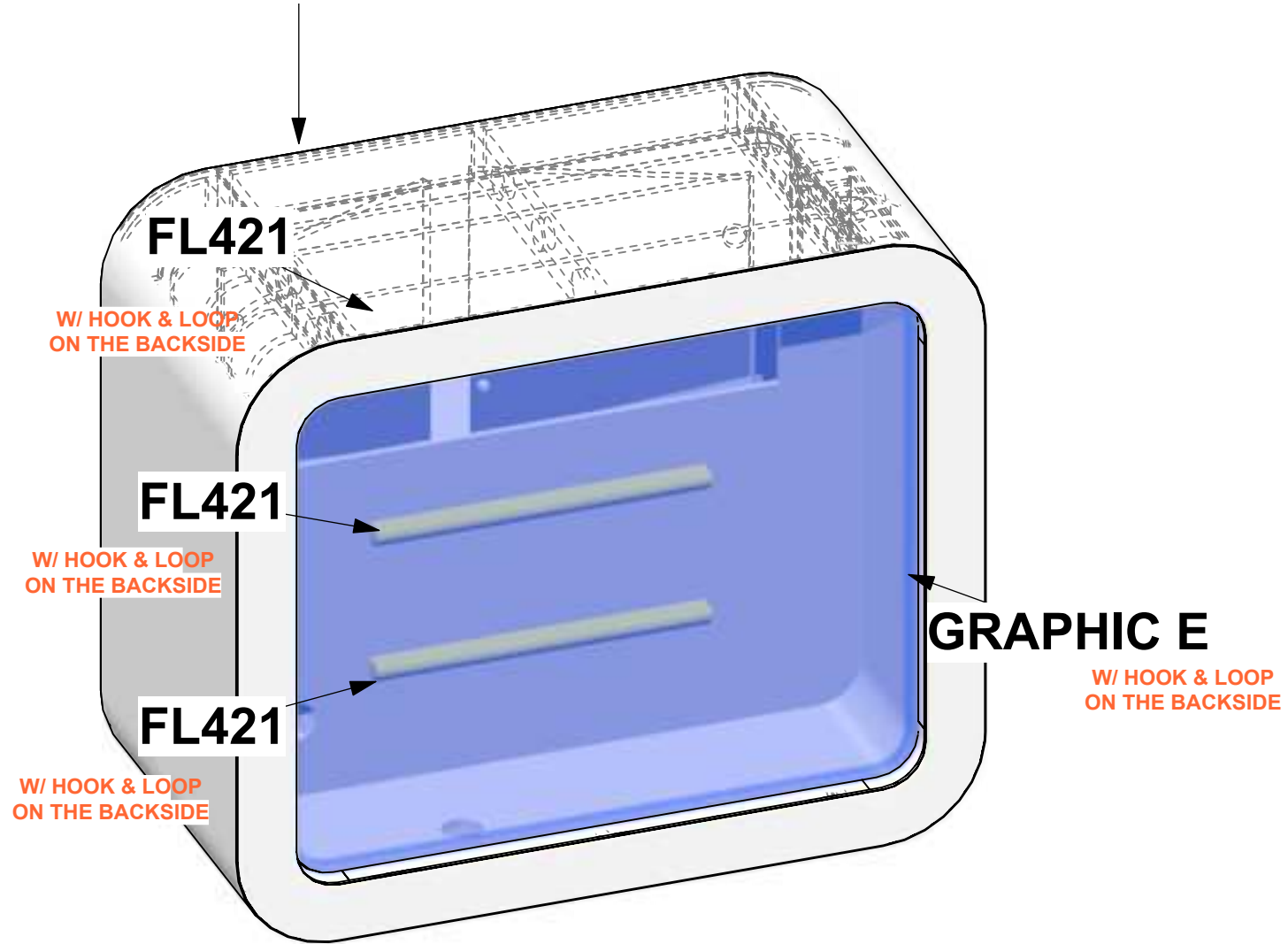
-  PM2S2
-  PHFC4
-  PHFC2
-  PH
-  PH4SC

HYBRID PRO RENTAL KIT

Title: SET-UP INSTRUCTIONS

Code	#	Description
R-REC-42	1	40" (V) X 23" X 47" CUSTOM COUNTER WITH FRONT BACKLIT GRAPHIC
GRAPHIC E	1	32 5/16" (H) X 39 3/8" (W) BACKLIT DSG GRAPHIC ON 6MM PET-G WITH ROUND
FL421	3	21" FLUORESCENT SINGLE BULB LIGHT

R-REC-42

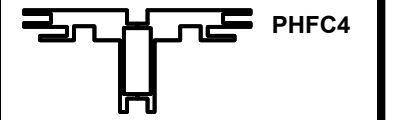
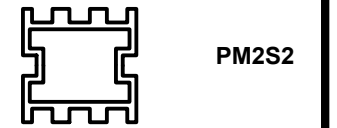


1. Redesign of this exhibit without approval by manufacturer may result in dangerous and unsafe structures. Manufacturer disclaims any responsibility for redesigned exhibits it does not approve in writing.

2. Parts and components such as panels and extrusions are manufactured to metric sizing. Where ever possible sizes have been noted in feet and inches as well as in metric. Below is the imperial to metric sizing table as reference. "Nominal" refers to approximate size.

2400mm = (94 1/2")	Phone Line / Fax
2100mm = (82 5/8")	Internet connection
1800mm = (70 7/8")	Outlet
1500mm = (59")	Main Drop (point of distrution)
1200mm = (47 1/4")	
900mm = (35 1/2")	
600mm = (23 5/8")	
300mm = (11 7/8")	

--- Wire running under carpet



HYBRID PRO RENTAL KIT

Title: SET-UP INSTRUCTIONS