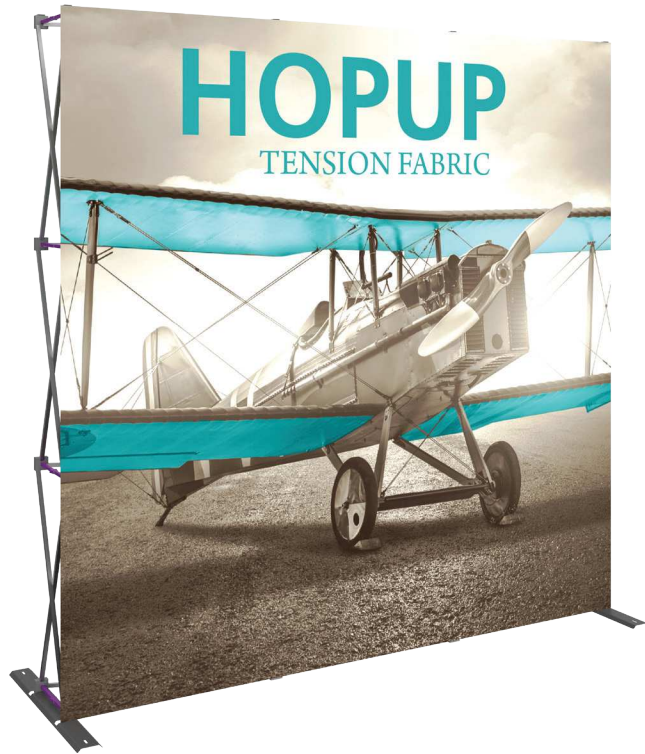


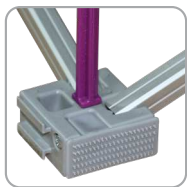
Hopup

A variety of sizes, kits and options of Hopup displays are available.

Hopup tension fabric displays are simple, versatile and can be set up in seconds. Hopup features a lightweight, durable frame that holds a curved or straight fabric mural. Simply attach the graphic, pop (expand) the frame and you have an exhibit. All curved and straight Hopups are available with and without end caps.



Stabilizer feet on all straight frames 3 quads high



In-molded Hook & Loop end-caps



We are continually improving and modifying our product range and reserve the right to vary the specifications without prior notice. All dimensions and weights quoted are approximate and we accept no responsibility for variance. E&OE. See Graphic Templates for graphic bleed specifications.

features and benefits:

- Lighter weight anodized silver frame with a smaller footprint
- Stabilizer feet on all straight frames 3 quads high
- Grey in-molded Hoop & Loop end caps
- Supports an integrated fabric graphic mural (end caps also available)

dimensions:

Hardware:

Straight Frames:

- 1x1: 31" w x 31" h x 12" d
- 1x3: 31" w x 90" h x 29" d
- 2x1: 60.5" w x 31" h x 12" d
- 2x2: 60.5" w x 60.5" h x 12" d
- 3x2: 89.5" w x 60.5" h x 12" d
- 2x3: 60.5" w x 90" h x 29" d
- 3x3: 89.5" w x 90" h x 29" d
- 3x4: 89.5" w x 119" h x 29" d
- 4x3: 119" w x 90" h x 29" d
- 4x4: 119" w x 119" h x 29" d
- 5x3: 147.25" w x 90" h x 29" d
- 5x4: 147.8" w x 119" h x 29" d
- 6x3: 178" w x 90" h x 29" d
- 8x3: 235.43" w x 90" h x 29" d
- 12x3: 352.28" w x 90" h x 29" d

Curved Frames:

- 1x3: 31" w x 90" h x 12.5" d
- 2x1: 64" w x 31" h x 18" d
- 2x2: 64" w x 60.5" h x 18" d
- 3x2: 92" w x 60.5" h x 23" d
- 2x3: 64" w x 89.5" h x 18" d
- 3x3: 92" w x 89.5" h x 23" d
- 3x4: 92" w x 119" h x 23" d
- 4x3: 116.25" w x 89.5" h x 33" d
- 4x4: 116.25" w x 119" h x 33" d
- 5x3: 136.5" w x 89.5" h x 42" d
- 5x4: 136.5" w x 119" h x 42" d
- 6x3: 154" w x 89.5" h x 61.25" d

- Easy assembly
- Rolling carry bag included with most units
- LED lighting available
- Lifetime hardware warranty against manufacturer defects
- Graphics sizes changed slightly due to new frame sizes yet old graphics are compatible with new frames

Shipping: All kits ship in one box

Straight Frames:

- 1x1: 37" l x 10" w x 10" h / 10 lbs.
- 1x3: 37" l x 10" w x 10" h / 10 lbs.
- 2x1: 37" l x 10" w x 10" h / 12 lbs.
- 2x2: 37" l x 10" w x 10" h / 16 lbs.
- 3x2: 37" l x 13" w x 12" h / 21 lbs.
- 2x3: 37" l x 13" w x 12" h / 24 lbs.
- 3x3: 37" l x 13" w x 12" h / 28 lbs.
- 3x4: 37" l x 15" w x 13" h / 35 lbs.
- 4x3: 37" l x 15" w x 13" h / 35 lbs.
- 4x4: 37" l x 15" w x 13" h / 34 lbs.
- 5x3: 37" l x 15" w x 13" h / 37 lbs.
- 5x4: 37" l x 18" w x 13" h / 41 lbs.
- 6x3: 37" l x 18" w x 13" h / 43 lbs.
- 8x3: 37" l x 30" w x 11" h / 70 lbs.
- 12x3: 37" l x 30" w x 11" h / 86 lbs.

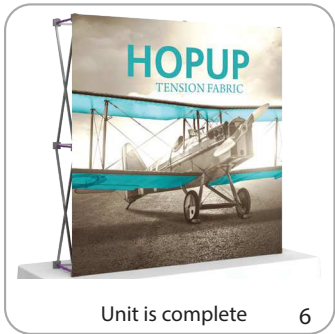
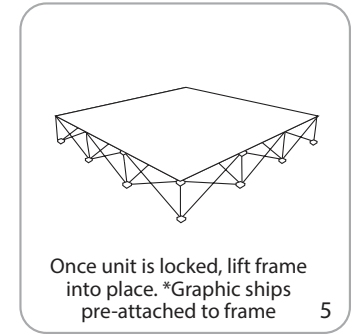
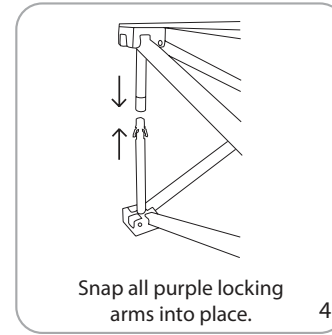
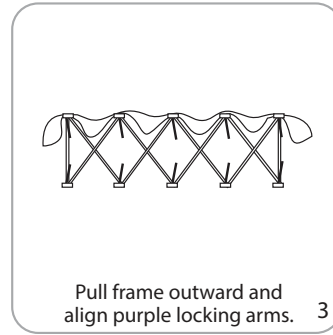
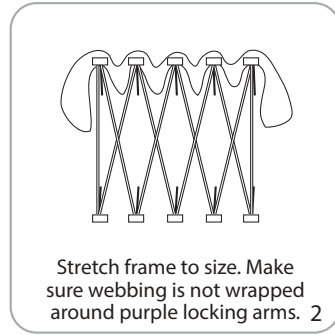
Curved Frames:

- 1x3: 37" l x 10" w x 10" h / 10 lbs.
- 2x1: 37" l x 10" w x 10" h / 12 lbs.
- 2x2: 37" l x 10" w x 10" h / 16 lbs.
- 3x2: 37" l x 13" w x 12" h / 21 lbs.
- 2x3: 37" l x 13" w x 12" h / 20 lbs.
- 3x3: 37" l x 13" w x 12" h / 25 lbs.
- 3x4: 37" l x 15" w x 13" h / 32 lbs.
- 4x3: 37" l x 15" w x 13" h / 32 lbs.
- 4x4: 36" l x 15" w x 13" h / 35 lbs.
- 5x3: 37" l x 15" w x 13" h / 35 lbs.
- 5x4: 37" l x 18" w x 13" h / 38 lbs.
- 6x3: 36" l x 18" w x 13" h / 43 lbs.

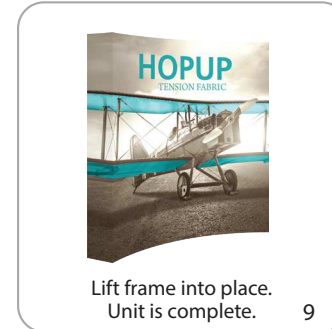
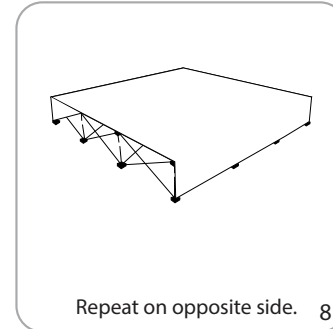
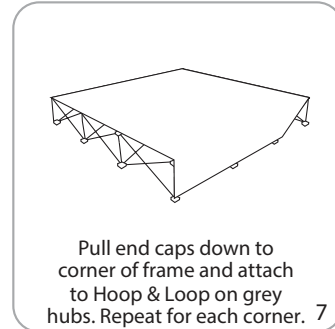
additional information:

- Replacement parts available for old and new Hopup
- Refer to page 4 for curved Hopup frame footprints
- Refer to page 5 for straight Hopup frame footprints
- Lights & accessories are available
- 4x3 Hopup now packs with a rollerbag into the OCX or OC-HOP case (both optional upgrade)
- 8x3 Hopup now packs into the OCH2 (optional upgrade)
- 12x3 Hopup now packs into the OCH2 (optional upgrade)

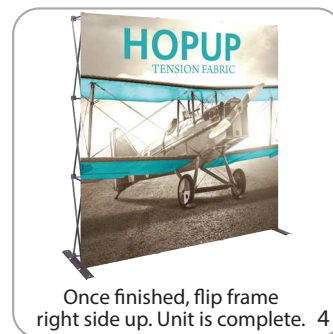
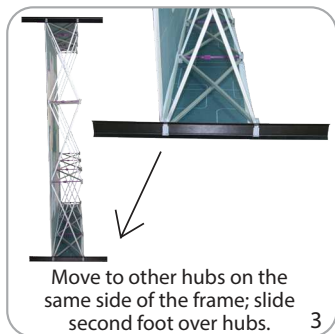
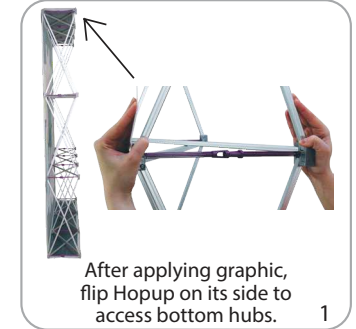
**SET-UP:
GRAPHIC COMES ATTACHED**



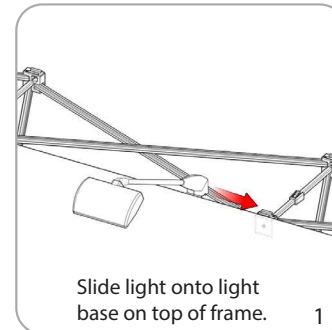
TO ATTACH END CAPS



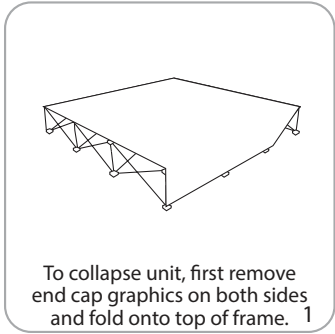
ATTACH STABILIZER FEET TO FRAMES 3 QUADS HIGH



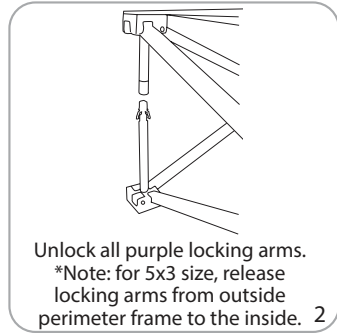
TO ATTACH LIGHTS



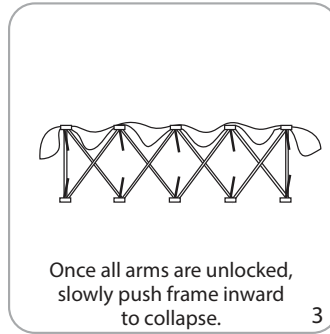
TO COLLAPSE



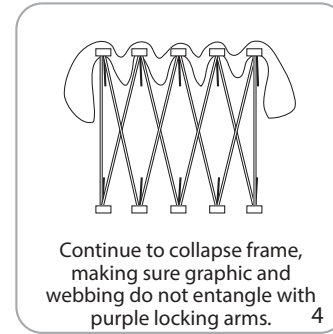
To collapse unit, first remove end cap graphics on both sides and fold onto top of frame. 1



Unlock all purple locking arms. *Note: for 5x3 size, release locking arms from outside perimeter frame to the inside. 2



Once all arms are unlocked, slowly push frame inward to collapse. 3



Continue to collapse frame, making sure graphic and webbing do not entangle with purple locking arms. 4

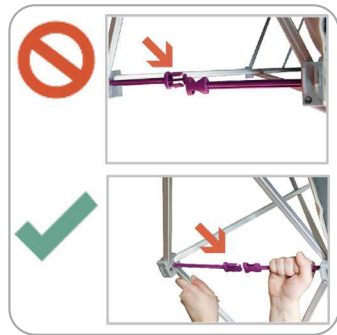


Store unit into rolling bag. Be sure bag straps do not wrap around purple locking arms. 5

to ensure quality, please note:



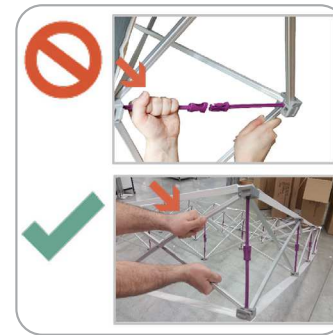
If the webbing is wrapped around the purple locking arm, the arm can snap off when opening the unit.



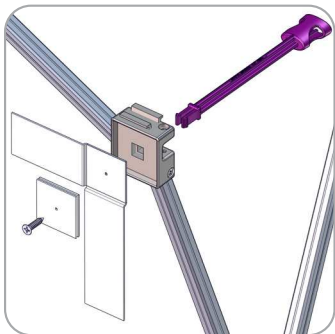
When setting up, ensure that the arms are aligned. If not, the arms will snap when pressure is applied.



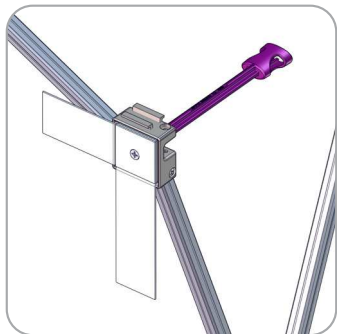
When packing unit in the bag, ensure that the strap is not partially wrapped around an arm. If it is, the arm will snap when pulled out of the bag.



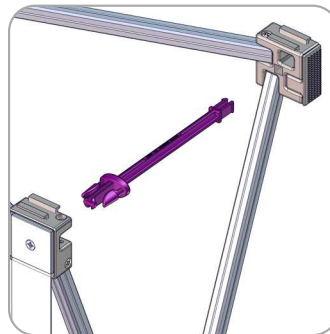
Do not use the purple locking arm to lift unit. ALWAYS lift by the frame.



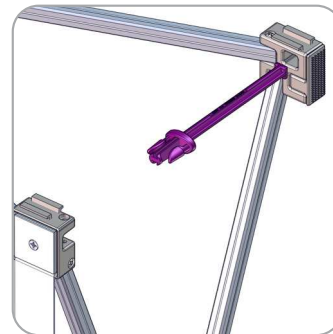
To detach the female arm, remove the screw, steel plate and hook & loop webbing. Pull the arm off the hub.



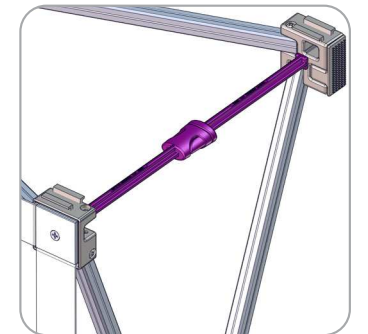
Attach the female arm by popping it into the hub. Fasten the screw through the steel plate hole and the hook & loop webbing tapping into the female arm.



To detach the male arm, pull the arm off the hub.



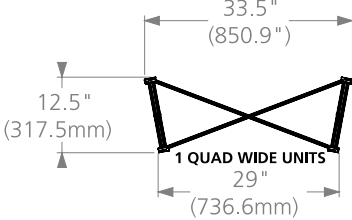
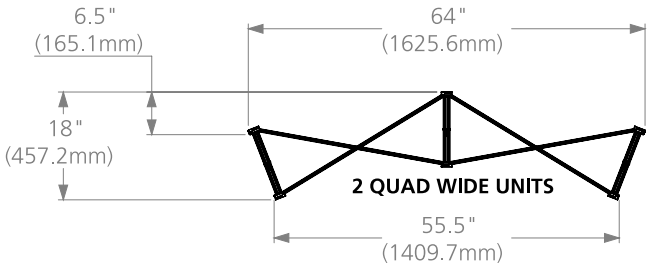
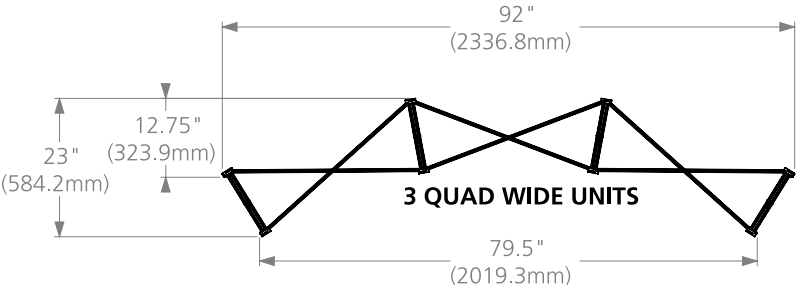
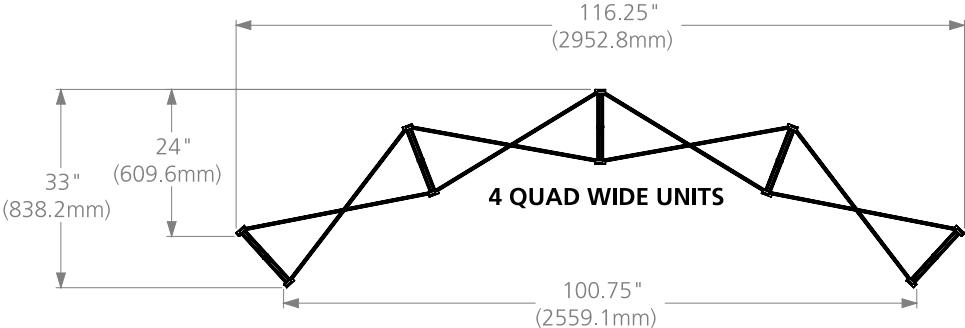
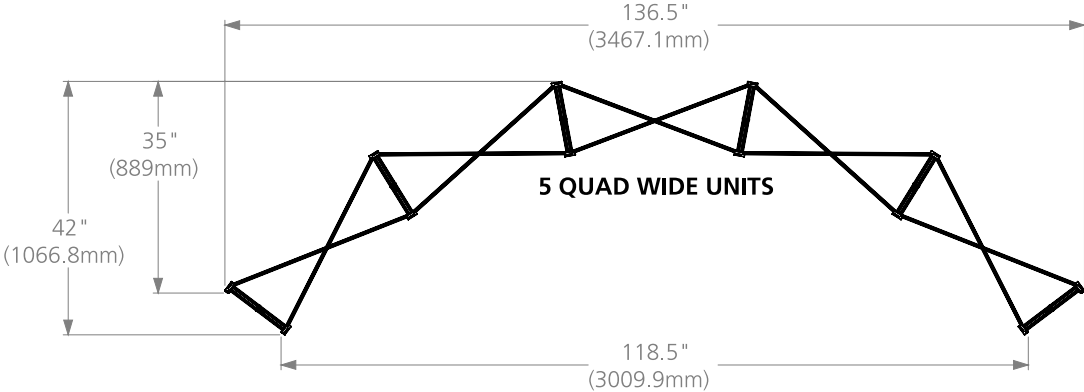
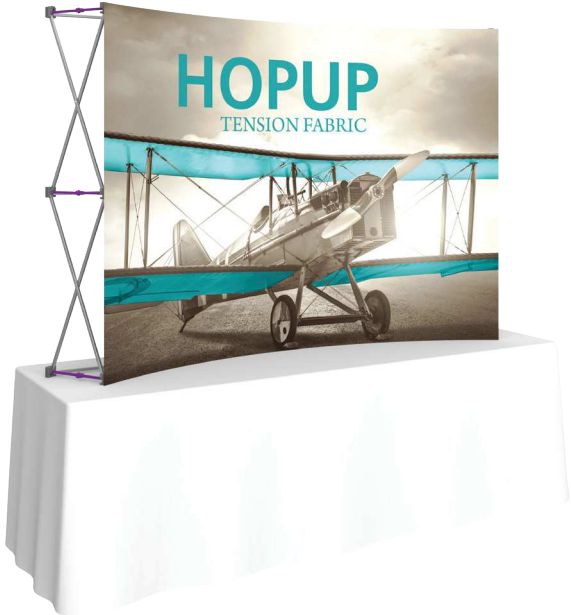
Simply pop in the male arm into the hub.



Both arms should align to snap lock together.

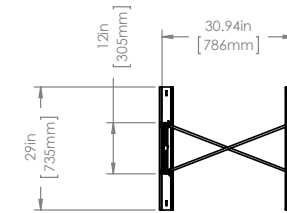
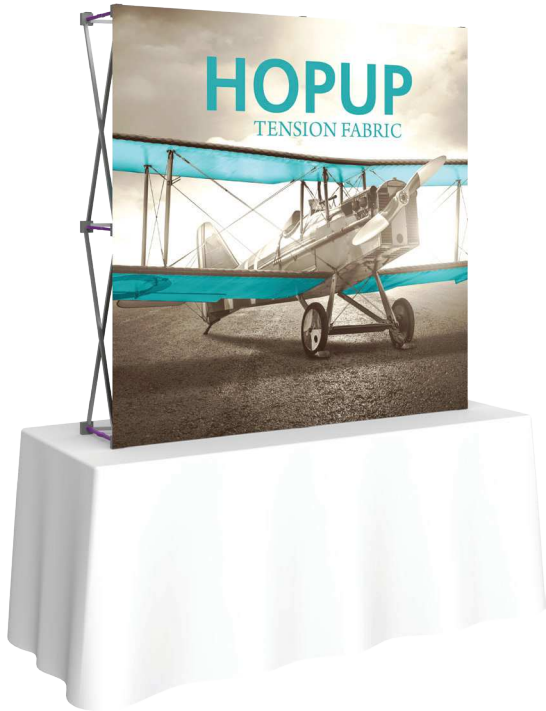
Curved Hopup

The curved HopUp gives your tension fabric backwall visual interest and dimension.

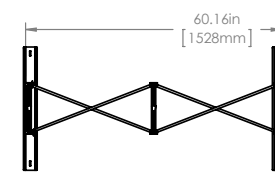


Straight Hopup

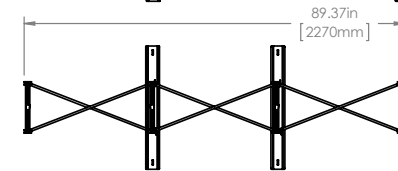
Straight Hopup frame footprints fit in a wide range of floor spaces.
Stabilizer feet present on all straight frames 3 quads high.



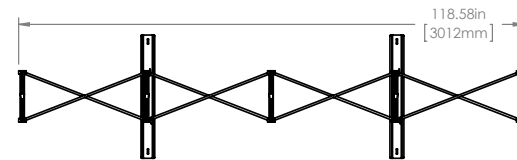
1 QUAD WIDE UNITS
FITS IN A 10' X 10' SPACE



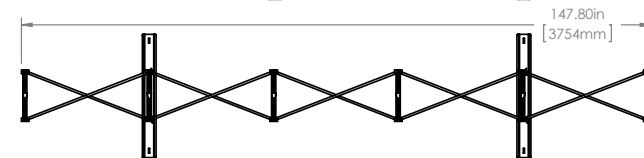
2 QUAD WIDE UNITS
FITS IN A 10' X 10' SPACE



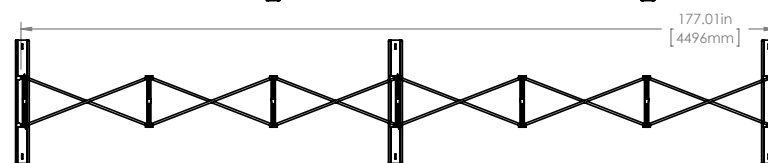
3 QUAD WIDE UNITS
FITS IN A 10' X 10' SPACE



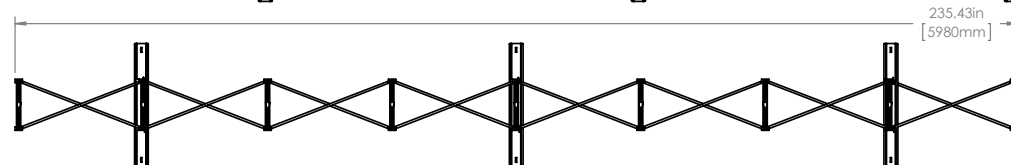
4 QUAD WIDE UNITS
FITS IN A 10' X 10' SPACE



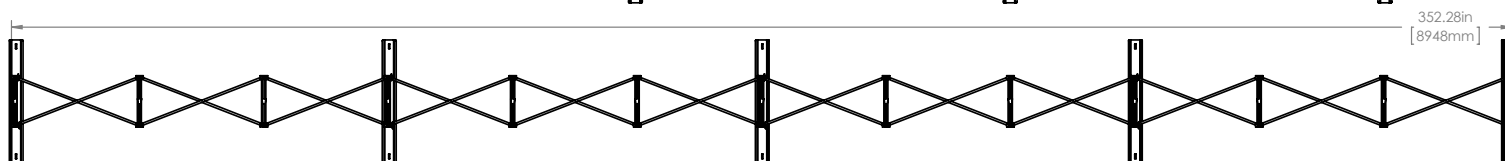
5 QUAD WIDE UNITS
FITS IN A 10' X 13' SPACE



6 QUAD WIDE UNITS
FITS IN A 10' X 15' SPACE



8 QUAD WIDE UNITS
FITS IN A 10' X 20' SPACE



12 QUAD WIDE UNITS
FITS IN A 10' X 30' SPACE

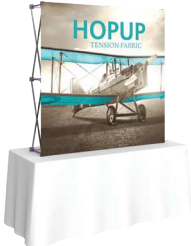
Check out these related products:



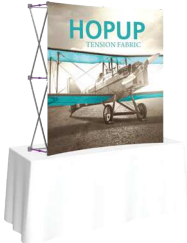
Hopup 1x1 Straight



Hopup 2x1 Straight



Hopup 2x2 Straight



Hopup 2x2 Curved



Hopup 3x2 Straight



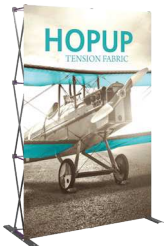
Hopup 3x2 Curved



Hopup counter



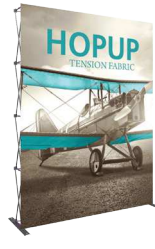
Hopup 1x3 Straight



Hopup 2x3 Straight



Hopup 3x3 Straight



Hopup 3x4 STRAIGHT



Hopup 4x3 Straight



Hopup 5x3 Straight



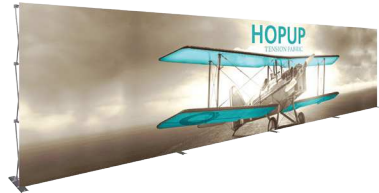
Hopup 5x4 Straight



Hopup 6x3 Straight



Hopup 8x3 Straight



Hopup 12x3 Straight

Check out these related products:



Hopup 1x3 Curved



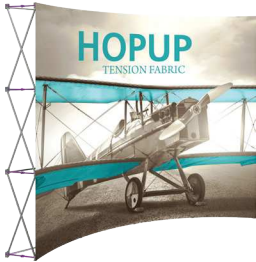
Hopup 2x3 Curved



Hopup 3x3 Curved



Hopup 3x4 Curved



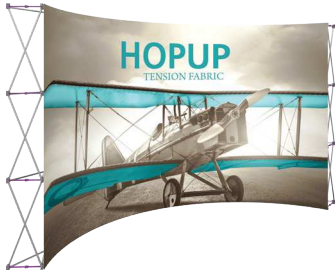
Hopup 4x3 Curved



Hopup 5x3 Curved



Hopup 5x4 Curved



Hopup 6x3 Curved



Hopup 2x2 Curved Backlit



Hopup 3x3 Curved Backlit



Hopup 4x3 Curved Backlit



Hopup Dimension Kit 01



Hopup Dimension Kit 02



Hopup Dimension Kit 03



Hopup Dimension Kit 04