

Formulate Accent - 03 Right Side Table

FMLT-WL03-R

Formulate™ accents enhance the functionality of any 10ft or 20ft backwall and add more real estate for messaging too! With monitor supports, literature pockets, shelves, tables, counters and more, you are sure to find the accent that best suits your needs. Left side table and graphic headers also available.



We are continually improving and modifying our product range and reserve the right to vary the specifications without prior notice. All dimensions and weights quoted are approximate and we accept no responsibility for variance. E&OE. See Graphic Templates for graphic bleed specifications.

features and benefits:

- State-of-the-art brushed 30mm aluminum tube frame with snap button assembly
- Hardware mounts for a medium sized monitor; max 36" / 40 lbs
- Top and bottom printed infill panels
- Kit includes: one frame, two panel graphics, stand-off monitor mount, side table, and one wheeled molded OCH2 storage case
- Lifetime hardware warranty against manufacturer defects

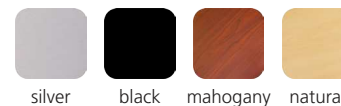
dimensions:

Hardware	Graphic
<p>Assembled unit: 36.3" w x 92.7" h x 28.75" d 922mm(w) x 2355mm(h) x 730mm(d)</p> <p>Countertop dimensions: 20.47" w x 11.81" d</p> <p>Approximate weight (includes graphics): 30 lbs / 13.6 kg</p>	<p>Total visual area: Top & bottom: 21" w x 17.5" h</p> <p>Refer to related graphic template for more information.</p>
Shipping	
<p>Shipping dimensions: One OCH2 case: 52" l x 30" w x 15" h</p> <p>Approximate shipping weight (with case): 60 lbs / 27 kg</p>	

additional information:

Graphic material: 3 mm white pvc
 Table holds max 10 lbs / 4.5 kg
 Monitor mount: Max T.V. Size is 36" / 40 lbs
 *Kit does not include monitor

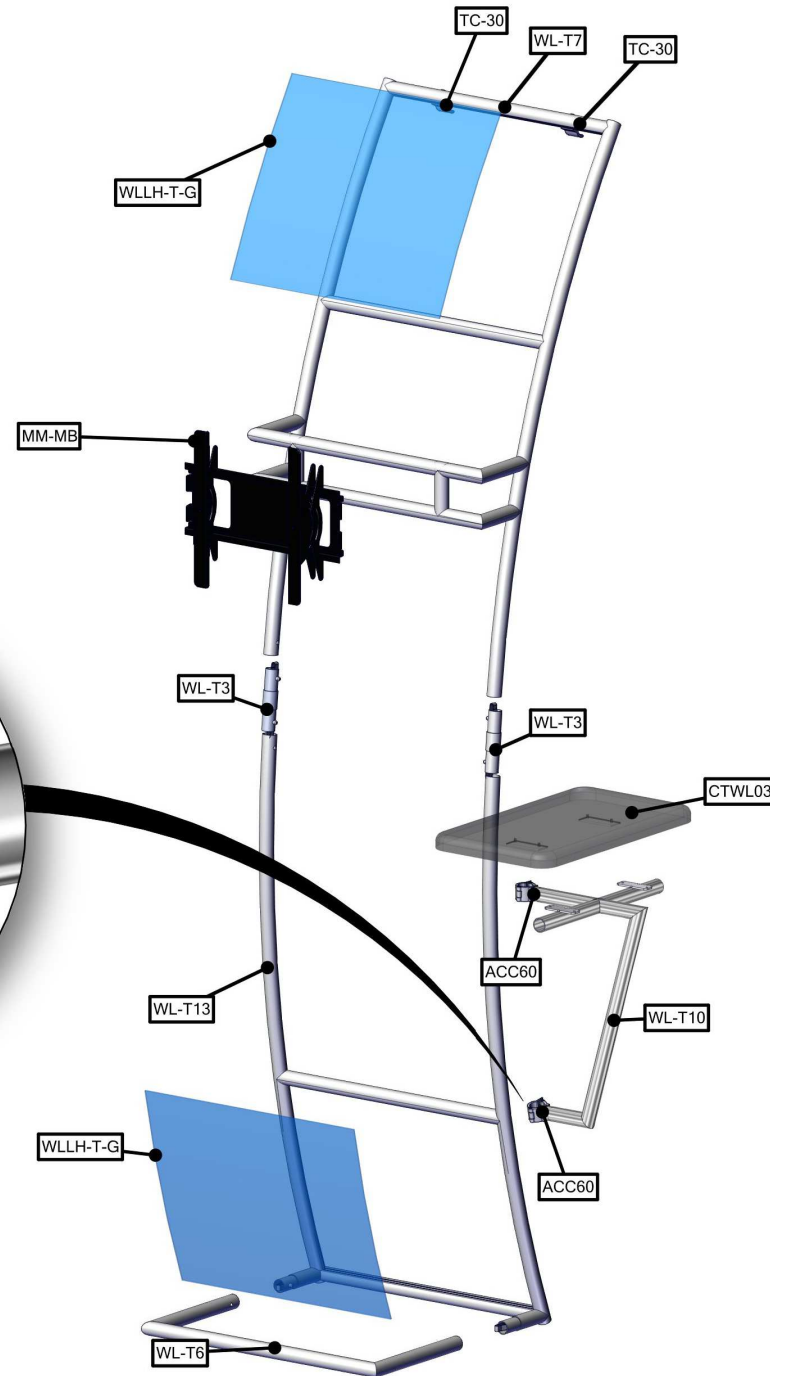
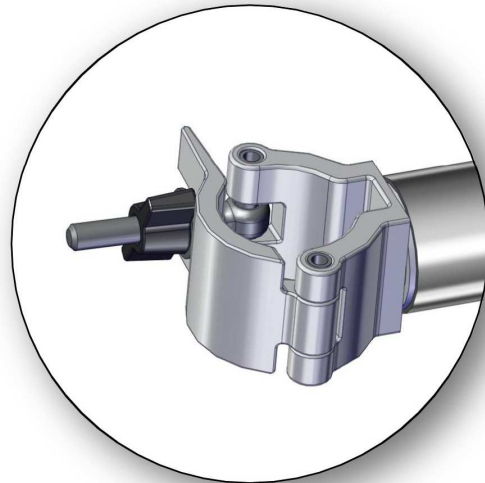
Table colors:



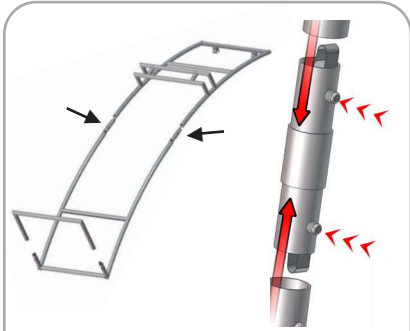
silver black mahogany natural

Parts Included

Part Label	Qty	Part Code
30MM TUBE CLAMP	x2	ACC60
MEDIUM MONITOR BRACKET	x1	MM-MB
520 X 300 X 30 COUNTER	x1	CTWL03
SILVER ANODIZE FINISH 30MM TUBE CLAMP	x2	TC-30
30MM TUBE SECTION	x2	WL-T3
TOP SINTRA GRAPHICS	x2	WLLH-T-G
30MM TUBE SECTION	x1	WL-T13
30MM TUBE SECTION	x1	WL-T6
30MM TUBE SECTION	x1	WL-T7
RWL-T10	x1	RWL-T10



STEP 1: ASSEMBLE FRAME

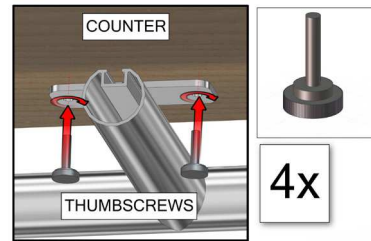


First connect top accent frame to bottom using WL-T3.



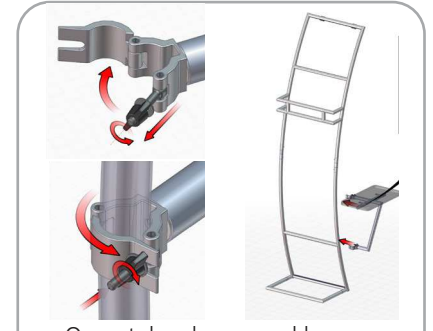
Next connect accent frame to base.

STEP 2: ATTACH TABLE



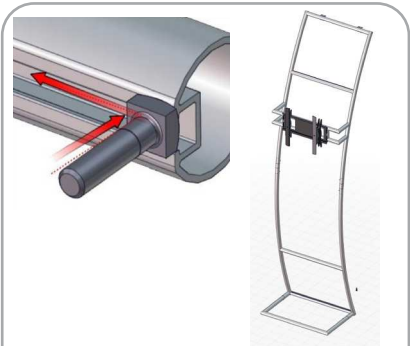
Use thumbscrews to attach table to hardware.

STEP 3: ATTACH TABLE TO ACCENT FRAME

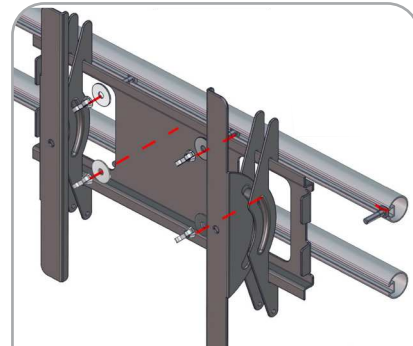


Open tube clamps and loosen wingnuts, position on accent frame, close then tighten wing nut.

STEP 4: INSTALL MONITOR MOUNT

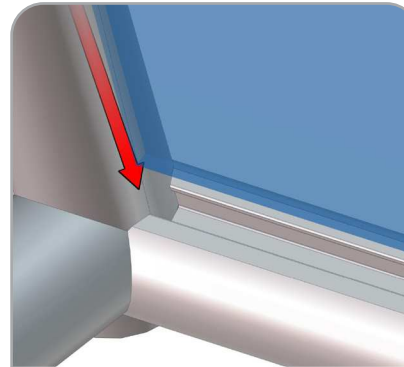


Slide bolts into tube channel. Center monitor mount on hardware.



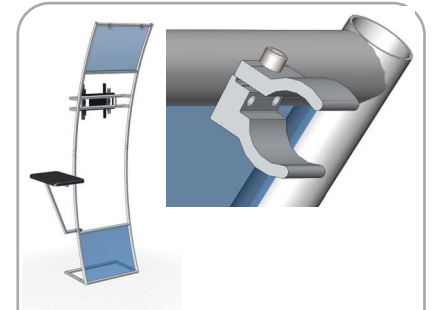
Secure monitor mount with washers and wingnuts.

STEP 5: ATTACH GRAPHICS

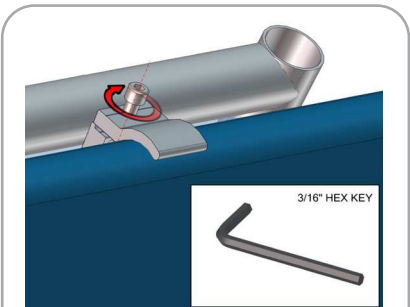


Slide infill panels into channels.

STEP 6: ATTACH TO BACKWALL WITH CLAMPS



Tube clamps will come attached to frame. Position accent in front of backwall in desired location.



Using provided 3/16" hex key, rotate bolt clockwise to secure accent to top of fabric backwall.



Unit is complete.