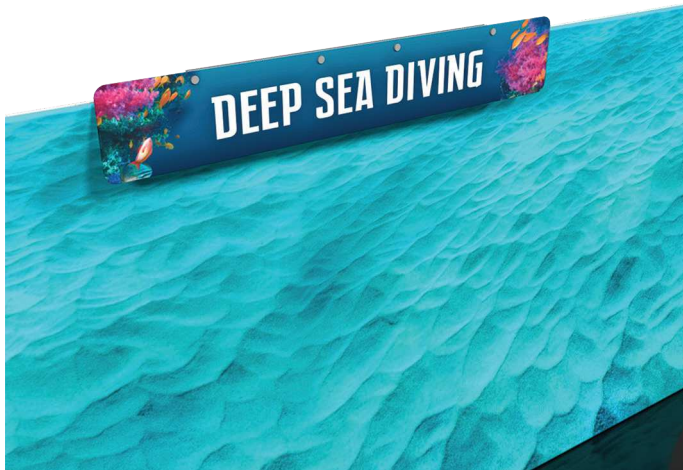
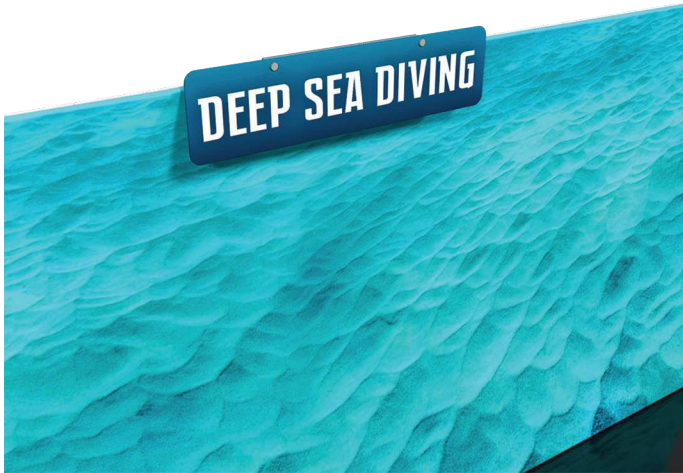


Formulate Headers

4ft: FMLT-WHS-41H

6ft: FMLT-WHS-61H

Formulate™ accents enhance the functionality of any Wave 10ft or 20ft backwall and add more real estate for messaging too! With graphic headers, monitor supports, literature pockets, shelves, tables, counters and more, you are sure to find the accent that best suits your needs.



features and benefits:

- Choose between 4ft and 6ft header lengths
- Can be added to any 8ft, 10ft or 20ft vertical curve or straight frame to easily convey your message
- Easy to store and ship
- Quick to assemble and attach to frame
- Lifetime hardware warranty against manufacturer defects

dimensions:

Hardware	Graphic
<p>Assembled unit: 4ft header: 47.25" w x 11.8125" h 6ft header: 70.875" w x 11.8125" h</p> <p>Approximate weight (includes graphic): 4ft: 12.8 lbs / 5.8 kg 6ft: 19.2 lbs / 8.7 kg</p>	<p>Total visual area: 4ft header: 47.25" w x 11.8125" h 6ft header: 70.875" w x 11.8125" h</p> <p>Please be sure to include 1/2" bleed around the perimeter.</p>
<p>Shipping</p> <p>Shipping dimensions: 49" l x 15" w x 7" h (boxed)</p> <p>Approximate shipping weight: 4ft header: 15 lbs / 6.8 kg 6ft header: 23 lbs / 10.4 kg</p>	<p>Refer to related graphic template for more information.</p>

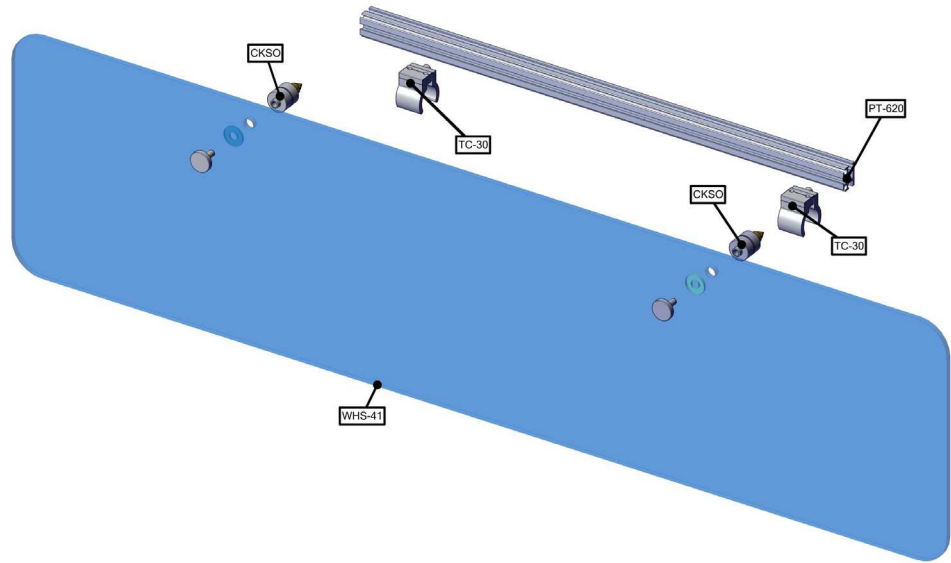
additional information:

Graphic material:
6mm white pvc

We are continually improving and modifying our product range and reserve the right to vary the specifications without prior notice. All dimensions and weights quoted are approximate and we accept no responsibility for variance. E&OE. See Graphic Templates for graphic bleed specifications.

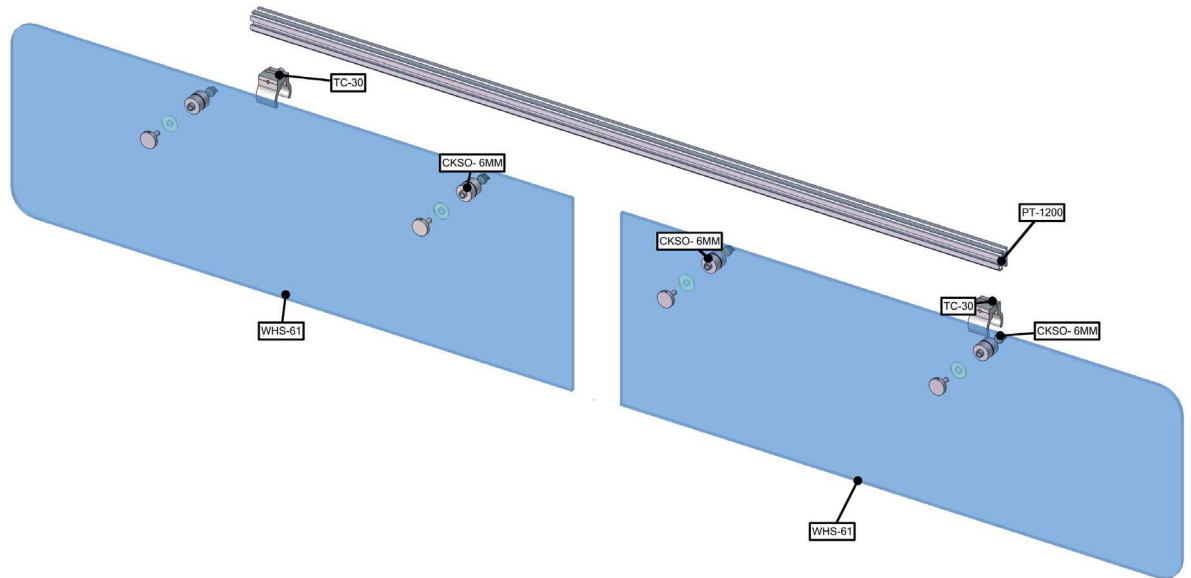
Parts Included – 4ft

Part Label	Qty	Part Code
CKSO STAND OFF WITH NT1	x2	CKSO
SILVER ANODIZE FINISH 30MM TUBE CLAMP	x2	TC-30
48.25"W X 12.8136"H GRAPHIC	x1	WHS-41
620MM LENGTH OF PT EXTRUSION	x1	PT-620

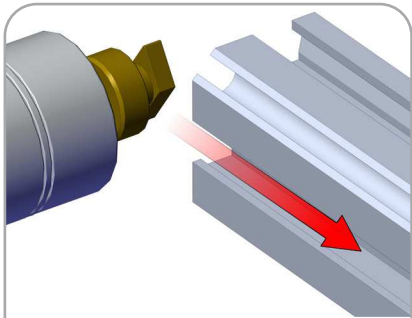


Parts Included – 6ft

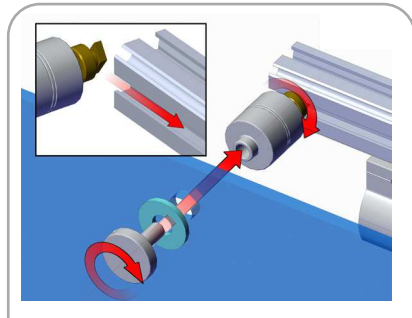
Part Label	Qty	Part Code
CKSO STAND OFF WITH NT1	x4	CKSO
SILVER ANODIZE FINISH 30MM TUBE CLAMP	x2	TC-30
35.43"W X 12.8139"H GRAPHIC	x2	WHS-61
1200MM LENGTH OF PT EXTRUSION	x1	PT-1200



STEP 1: ATTACH STAND-OFF

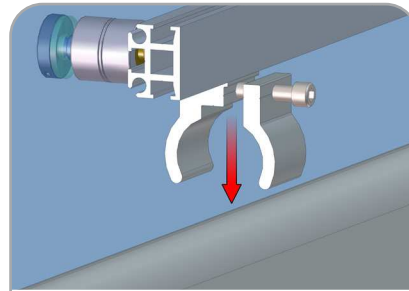


Before attaching to graphic, slide end of stand off (CKSO) into extrusion. Repeat for other stand-off(s).

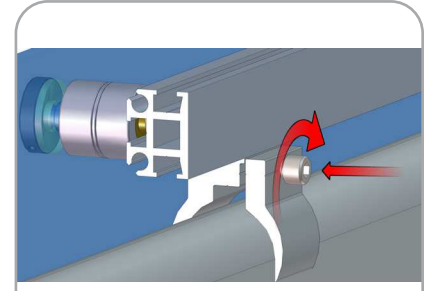


Attach graphic to stand-offs and extrusion with washer & other end of stand-off. Turn clockwise to secure.

STEP 2: ATTACH TO BACKWALL



Once graphic is attached to stand-offs and extrusion, position tube clamps (TC-30) onto backwall.



Using hex key turn bolt clockwise to tighten tube clamps, securing graphic header to backwall.