

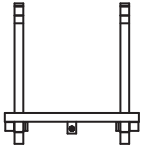
EZ 12 ~ Connection System

EZ 12 Connector Specifications

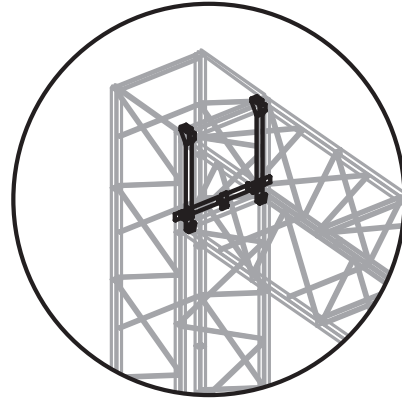


Corner Connector A

EZ12-CCA

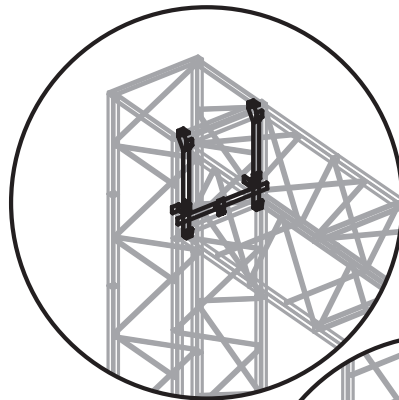
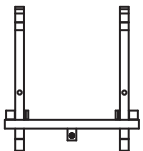


CCA: Use these to attach a horizontal truss to the very top of a vertical truss on the ladder side, (the side you can put collateral shelves into) or the side opposite the ladder side.

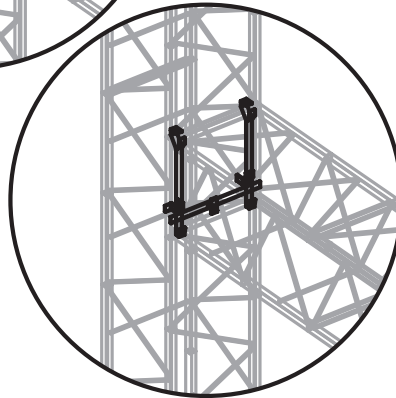


Corner Connector B

EZ12-CCB



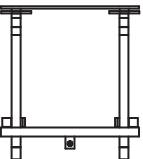
CCB: Used to attach a horizontal truss to the top of the OTHER 2 sides of a vertical truss. (Truss adjacent to the sides a CCA would connect to)



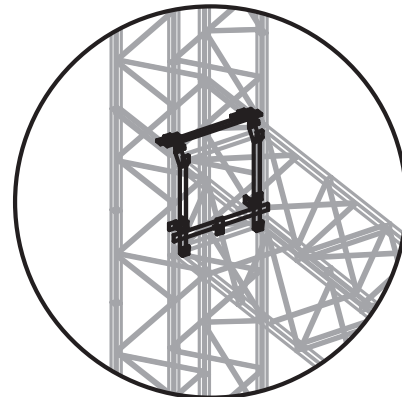
Using one of these you can also attach a horizontal truss at a junction in the vertical truss on the ladder side (or the side opposite the ladder side.)

Corner Connector C

EZ12-CCC

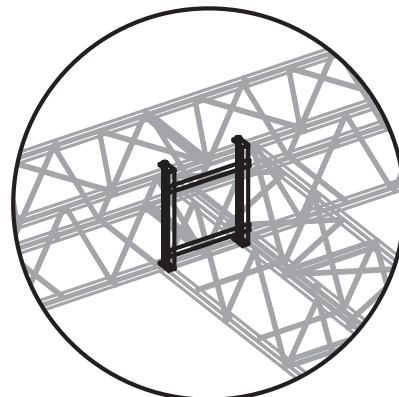
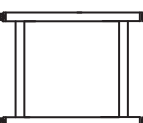


CCC: Use this for horizontal trusses being attached to vertical truss, at a junction, on the sides ADJACENT to the ladder side.

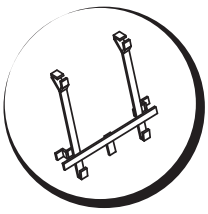


Corner Connector D

EZ12-CCD



CCD: Use this to attach a horizontal truss to another horizontal, or a vertical truss at any point.



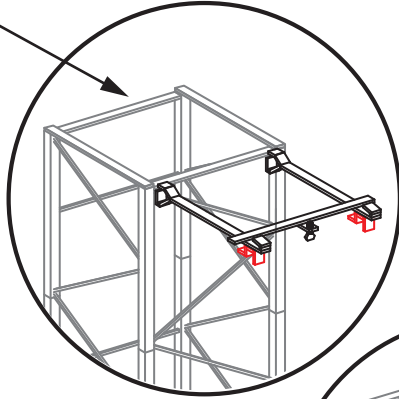
EZ 12 ~ Connection System



EZ 12 Connector A Instructions

For lower crossbars at top of leg

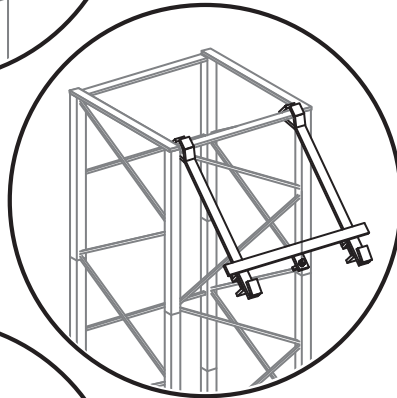
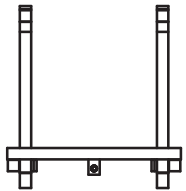
lower crossbars are on ladder side, and opposite



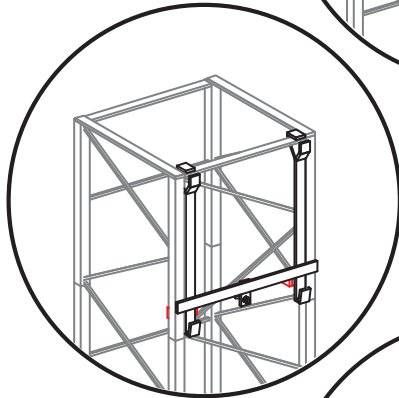
Step 1:
start with the tab (highlighted in red) rotated up vertical with the bracket legs. In the horizontal position, and with the opening at the top, move bracket back to enclose the cross bar.

Corner Connector A

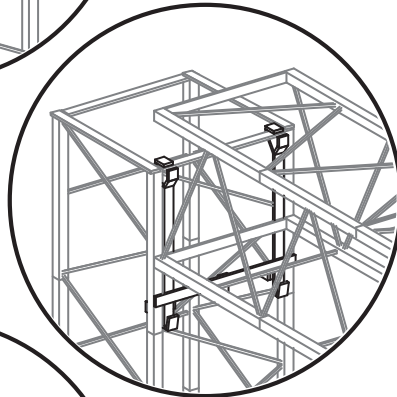
EZ12-CCA



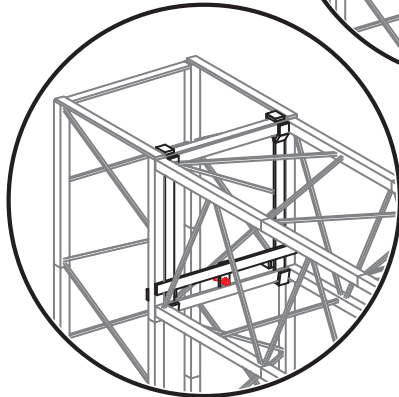
Step 2:
Let the bracket swing down against the truss leg. Rotate the tabs behind the truss leg tubes to secure.

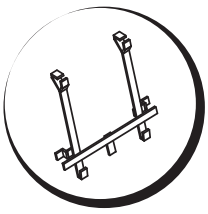


Step 3:
Bring the adjoining truss just above the bracket, in the horizontal position. Slide the truss down into place, held inside the clips.



Step 4:
Tighten the thumbscrew, (highlighted in red) over the top of the bottom truss bar, to secure.



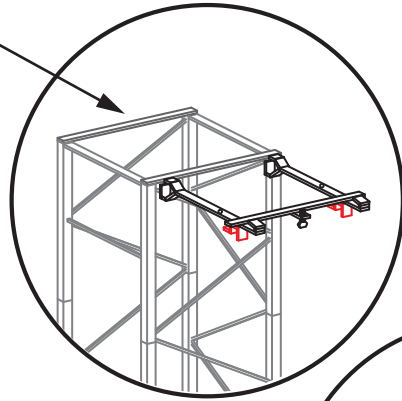


EZ 12 ~ Connection System

EZ 12 Connector B Instructions For top cross bars, at top of leg.



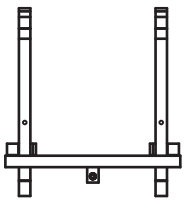
top crossbars are adjacent to ladder side



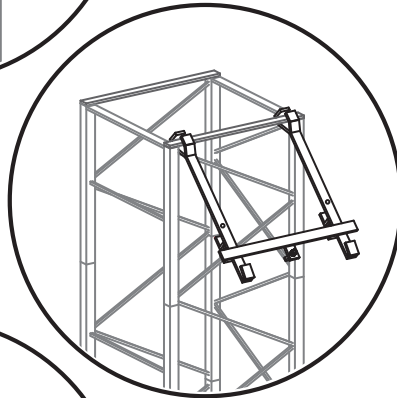
Step 1:
start with the tab (highlighted in red) rotated up vertical with the bracket legs. In the horizontal position, and with the opening at the top, move bracket back to enclose one of the top cross bars.

Corner Connector B

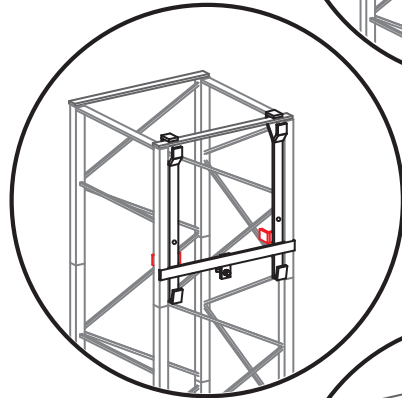
EZ12-CCB



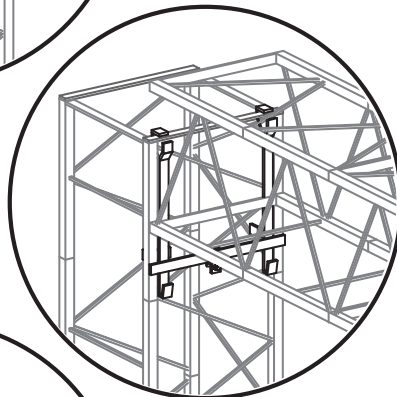
Connector B can be identified by holes on legs



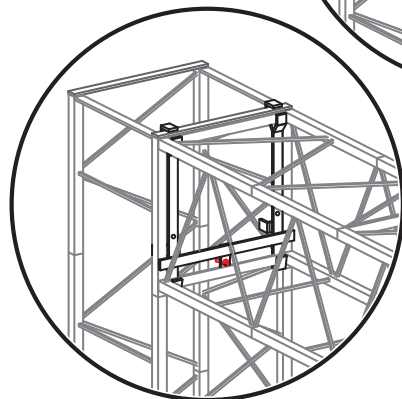
Step 2:
Let the bracket swing down against the truss leg. Rotate the tabs behind the truss leg tubes to secure.

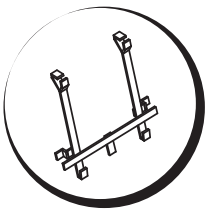


Step 3:
Bring the adjoining truss just above the bracket, in the horizontal position. Slide the truss down into place, held inside the clips.



Step 4:
Tighten the thumbscrew, (highlighted in red) over the top of the bottom truss bar, to secure.



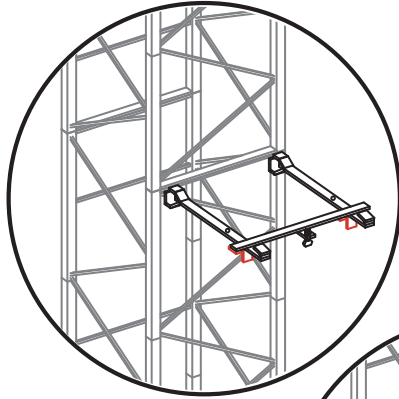


EZ 12 ~ Connection System

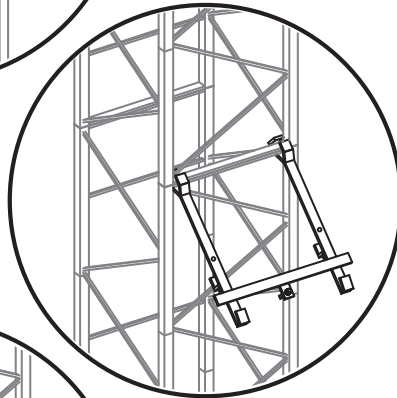


EZ 12 Connector B Instructions at vertical connection.

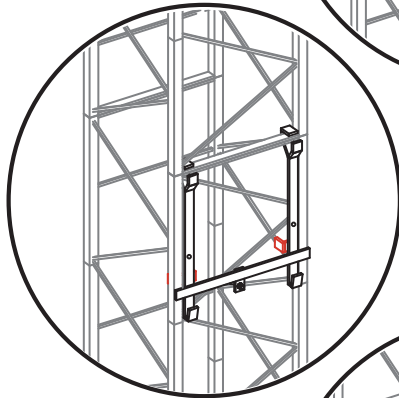
***Note that bracket B does not work at hinge, on hinge side**



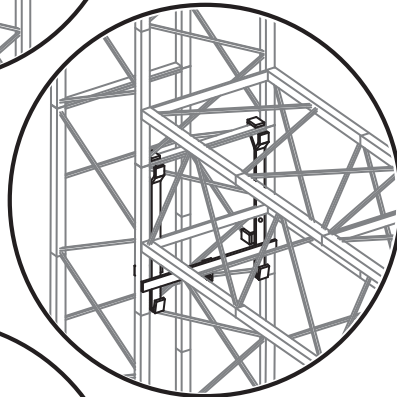
Step 1:
start with the tab (highlighted in red) rotated up vertical with the bracket legs. In the horizontal position, and with the opening at the top, move bracket back to enclose the double bars.



Step 2:
Let the bracket swing down against the truss leg. Rotate the tabs behind the truss leg tubes to secure.



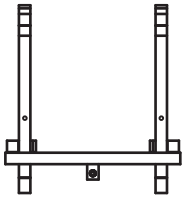
Step 3:
Bring the adjoining truss just above the bracket, in the horizontal position. Slide the truss down into place, held inside the clips.



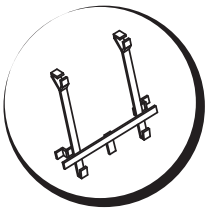
Step 4:
Tighten the thumbscrew, (highlighted in red) over the top of the bottom truss bar, to secure.

Corner Connector B

EZ12-CCB



**Connector B can
be identified by
holes on legs**

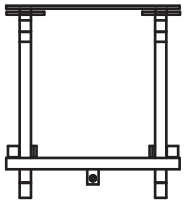


EZ 12 ~ Connection System

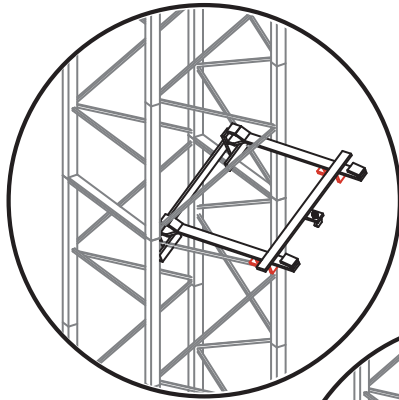


EZ 12 Connector C Instructions for sides adjacent to ladder side, at vertical connection

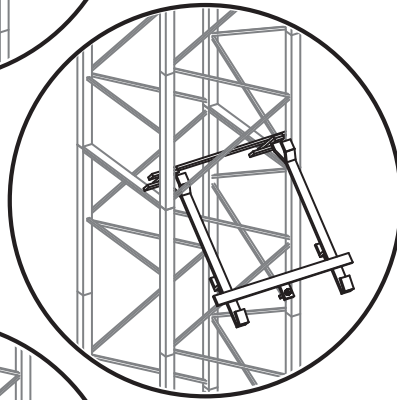
Corner Connector C EZ12-CCC



**Connector C can
be identified by
horizontal bar
at top**

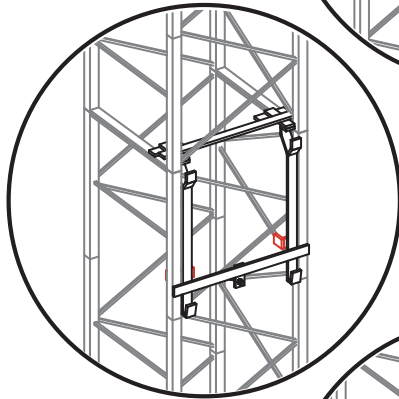


Step 1:
Start with the tab (highlighted in red) rotated up vertical with the bracket legs. With the opening at the top, slide the top of the bracket beneath the webbing, and above the adjacent horizontal bars. This may take a bit of finageling.

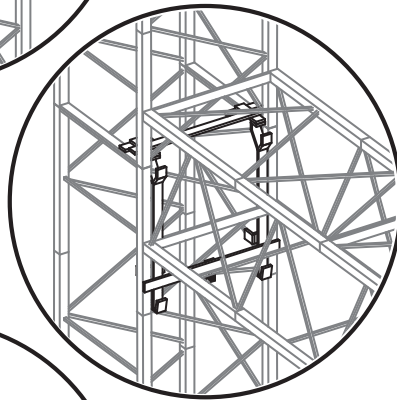


Step 2:
Let the bracket swing down against the truss leg.

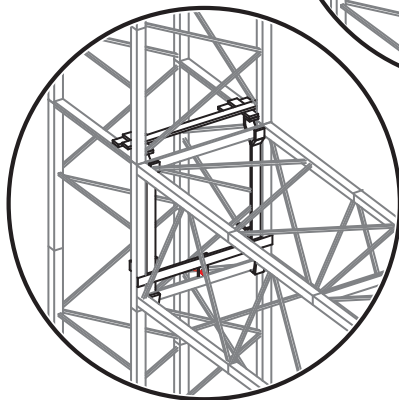
Make sure the top part of the bracket is resting on top of the adjacent horizontal bars.



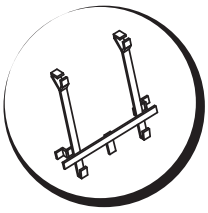
Step 3:
Rotate the tabs behind the truss leg tubes to secure.



Step 4:
Bring the adjoining truss just above the bracket, in the horizontal position. Slide the truss down into place, held inside the clips.



Step 5:
Tighten the thumbscrew, (highlighted in red) over the top of the bottom truss bar, to secure.



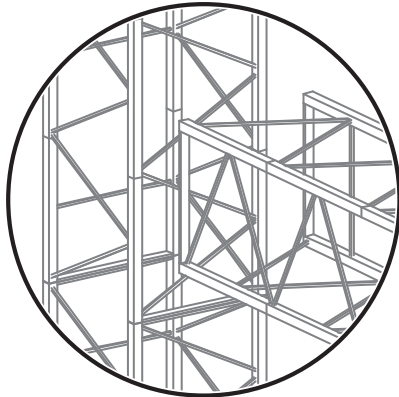
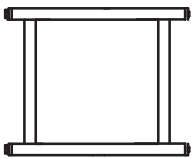
EZ 12 ~ Connection System

EZ 12 Connector D Instructions

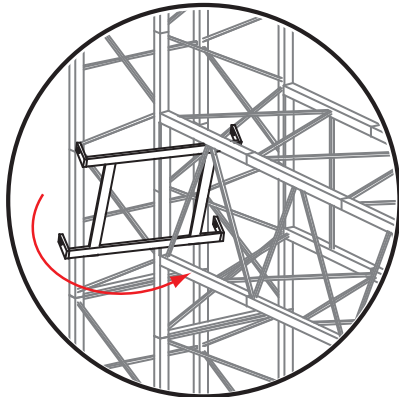
for a T, anywhere along a truss leg or horizontal.



Corner Connector D EZ12-CCD

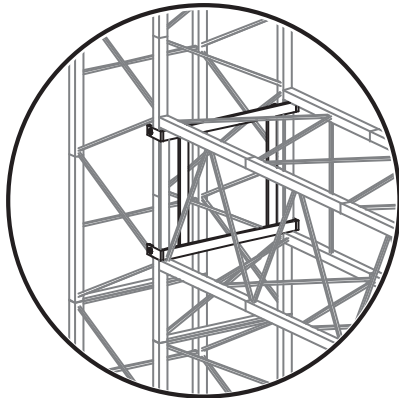


Step 1:
Bring second piece of truss up to the main truss, with rails parallel.

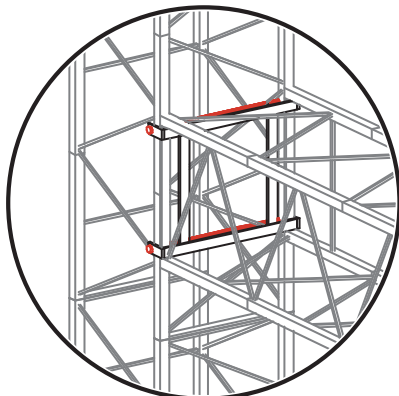


Step 2:
With the longer metal arms horizontal, rotate and slide bracket in next to the rails, from webbing side to ladder side.

*If you try to install the bracket from the ladder side, the bracket will not fit through the webbing!



Step 3:
Make sure bracket is pushed tight against both trusses.



Step 4:
Run long bolts though both holes and secure with wingnut.
(Highlighted in red)