

Pylons

These sleek and attractive free standing pylons are sure to get your message across. When used with dividing strips, they will turn into free-standing, large format directories.



SIGNPRO™
S Y S T E M S

We are continually improving and modifying our product range and reserve the right to vary the specifications without prior notice. All dimensions and weights quoted are approximate and we accept no responsibility for variance. E&OE. See Graphic Templates for graphic bleed specifications.

features and benefits:

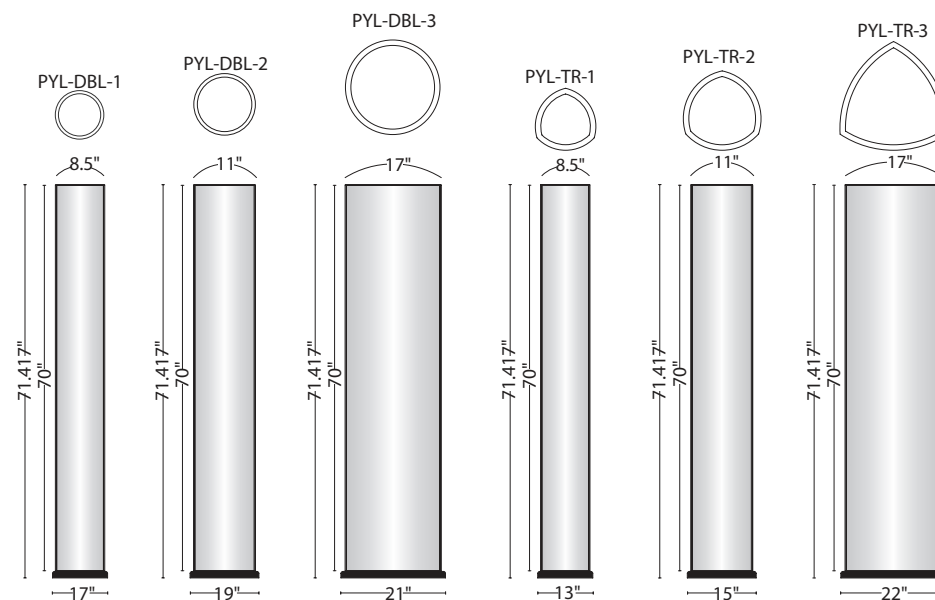
- Triple or double-sided
- Three sizes to choose from
- Customizable heights
- Easy, quick graphic changes
- Tools included



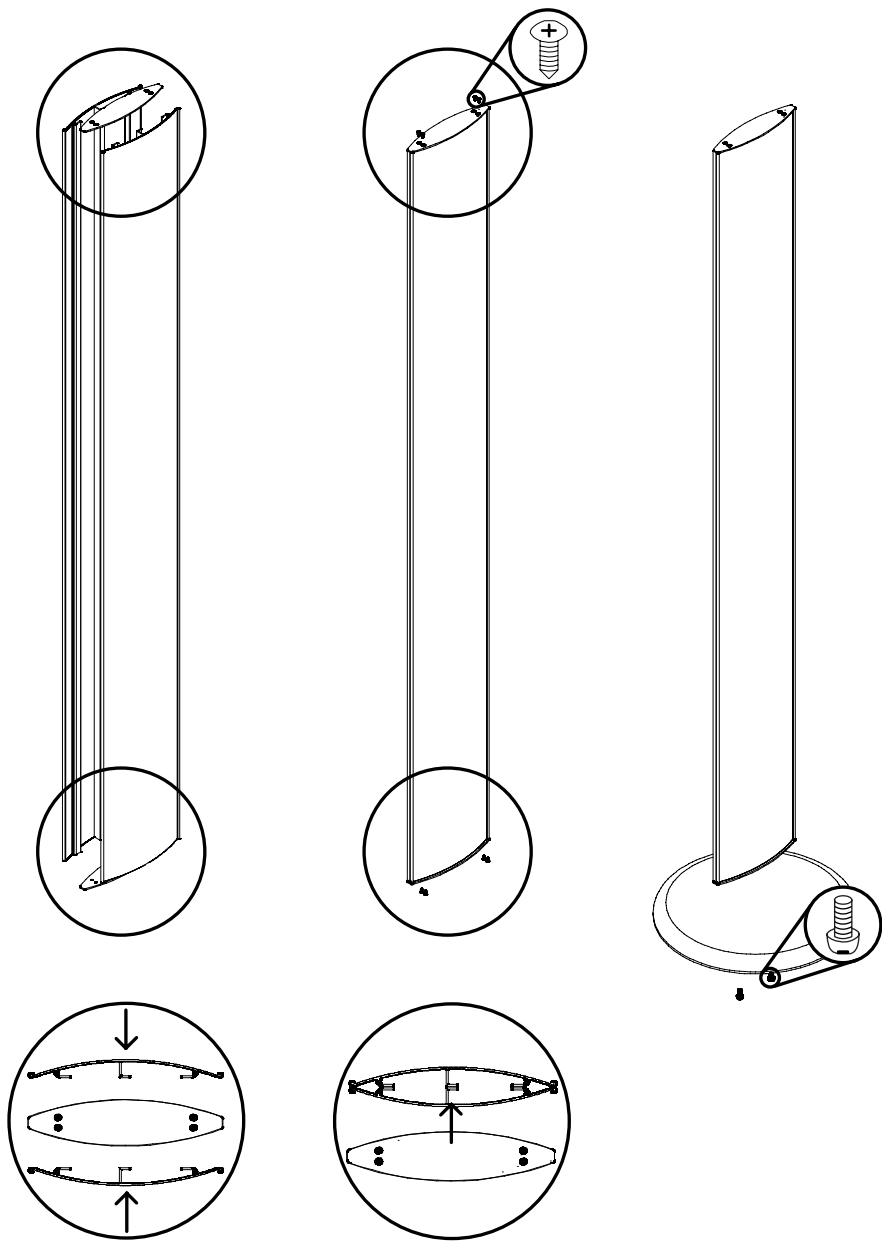
dimensions:

Hardware	Shipping
Weights: PYL-DBL-1: 19 lbs / 8.6 kg PYL-DBL-2: 28 lbs / 12.7 kg PYL-DBL-3: 43 lbs / 19.5 kg PYL-TR-1: 26 lbs / 11.8 kg PYL-TR-2: 39 lbs / 17.7 kg PYL-TR-3: 72 lbs / 32.7 kg	Shipping weights and dimensions vary depending on the quantity of product ordered. Contact your dealer for your specific weights and dimensions.

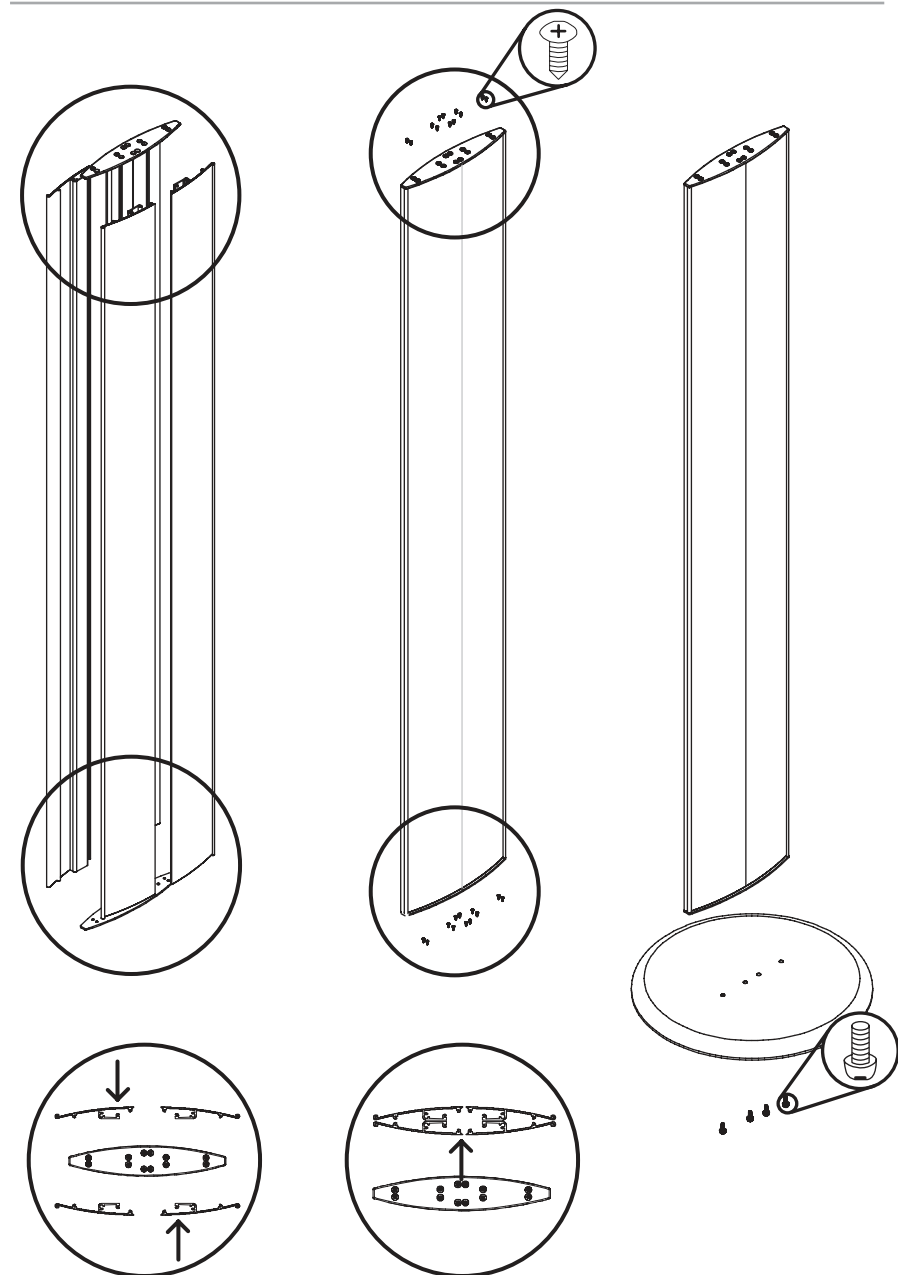
dimensions:



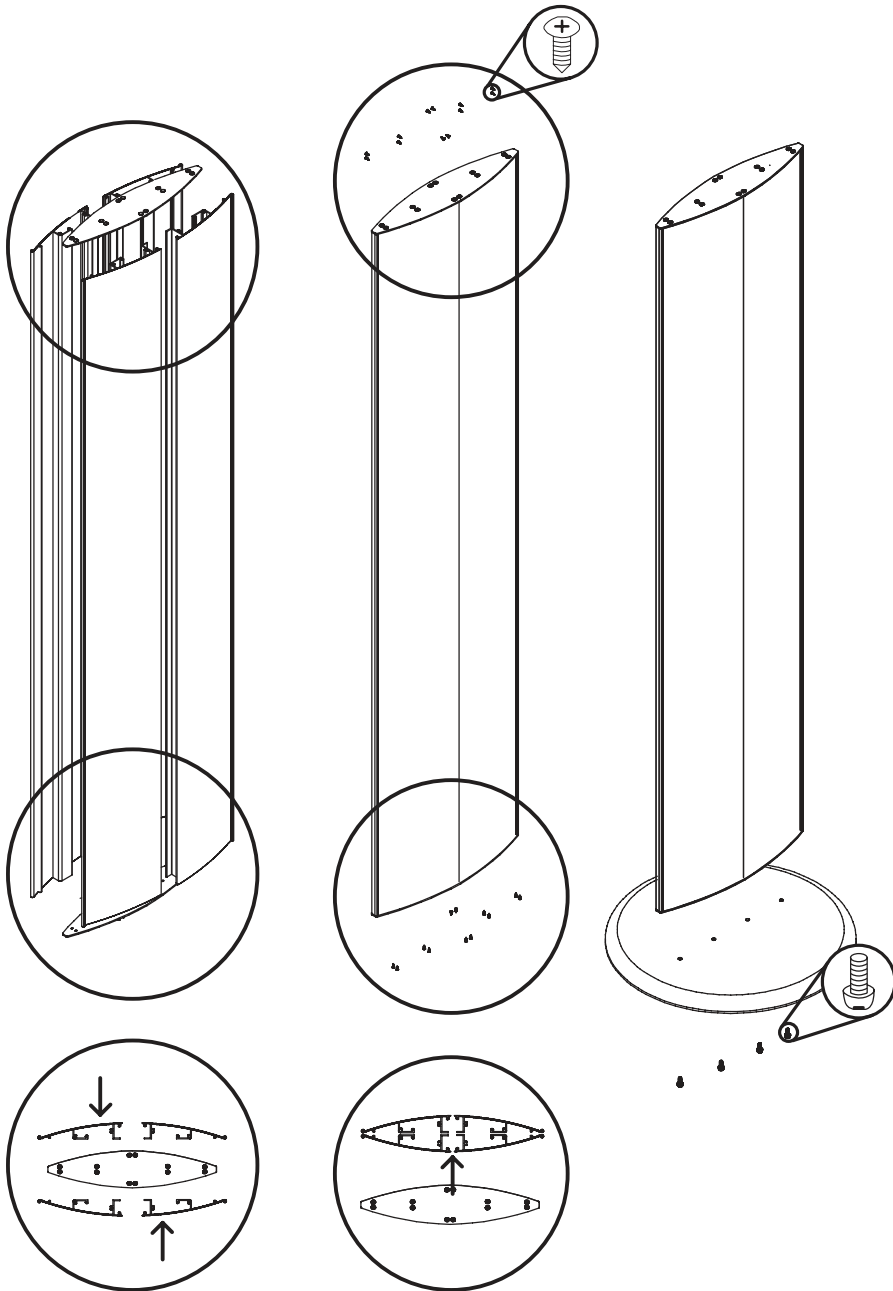
PYL-DBL-1



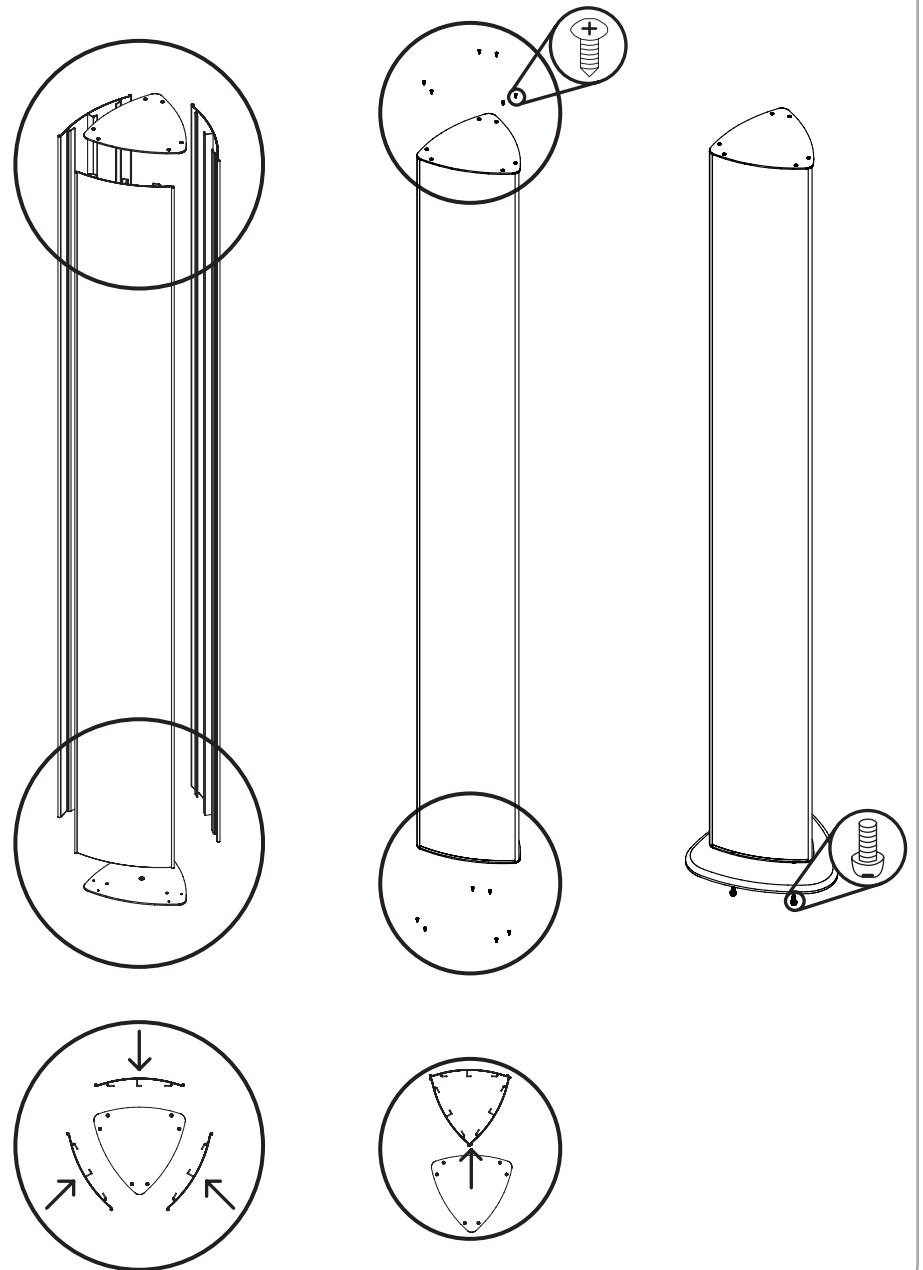
PYL-DBL-2



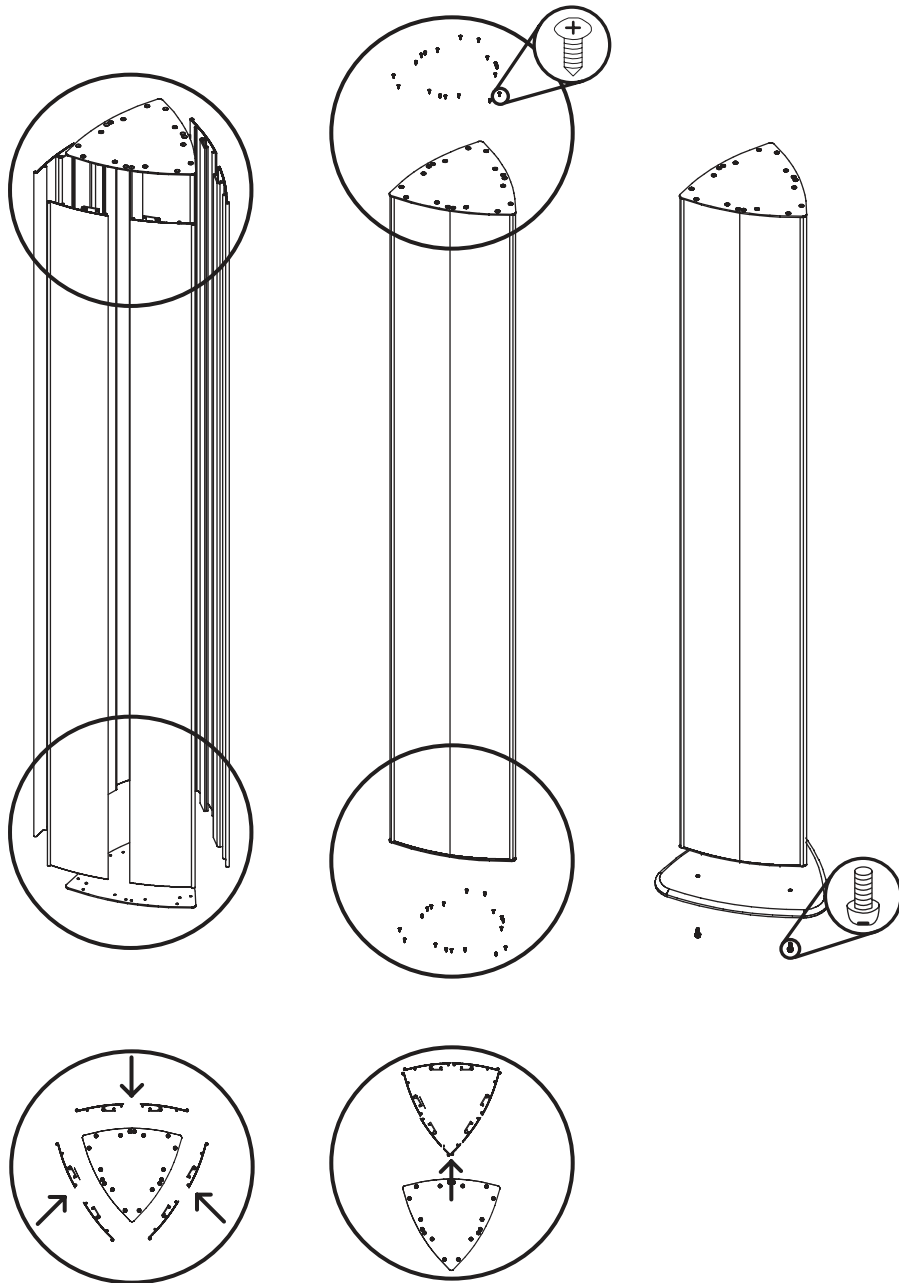
PYL-DBL-3



PYL-TR-1



PYL-TR-2



PYL-TR-3

