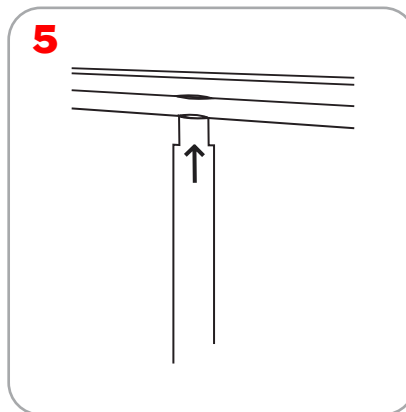
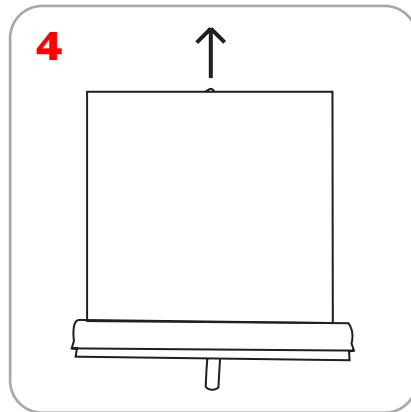
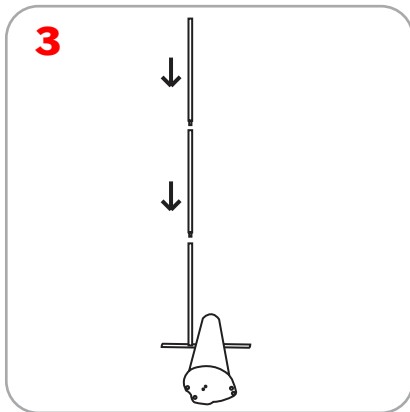
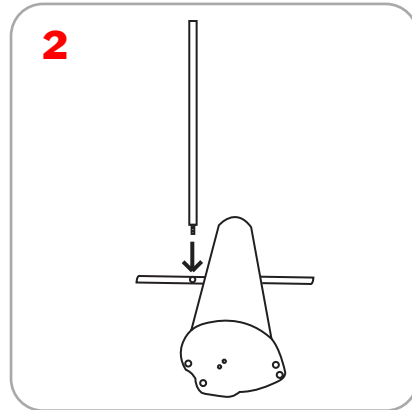
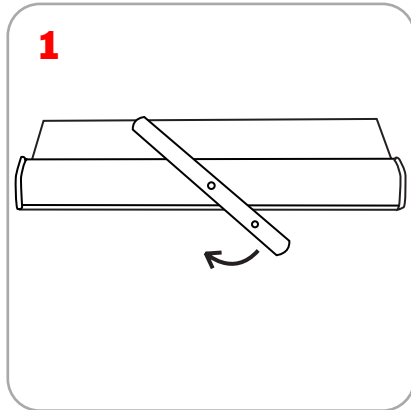
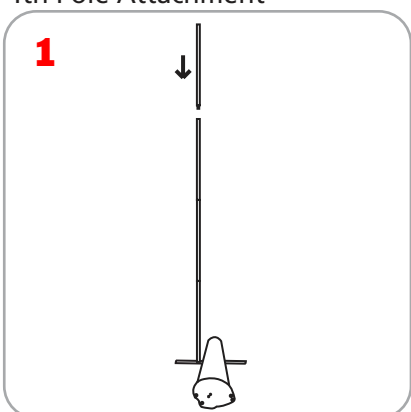


Assembly Instructions



4th Pole Attachment



Anatomy of a Contender

