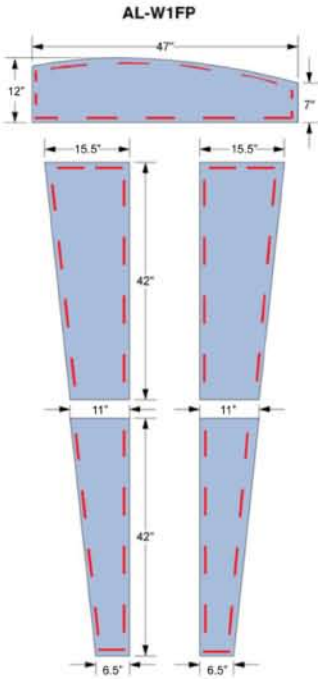


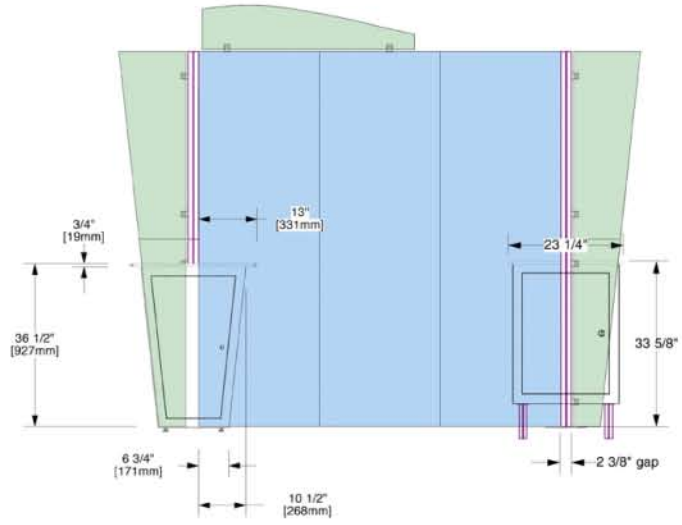
Panel Dimensions

Wings & Headers



** Please note that sizes shown include a 1/4" bleed to each panel that will be trimmed off. Please design artwork accordingly.**

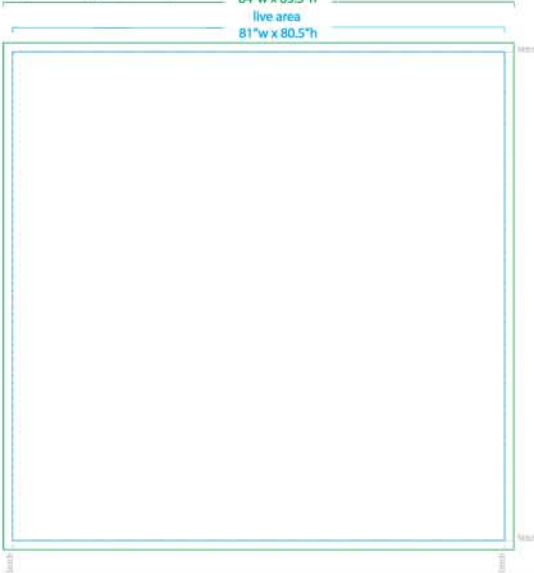
Fixed Counter Option



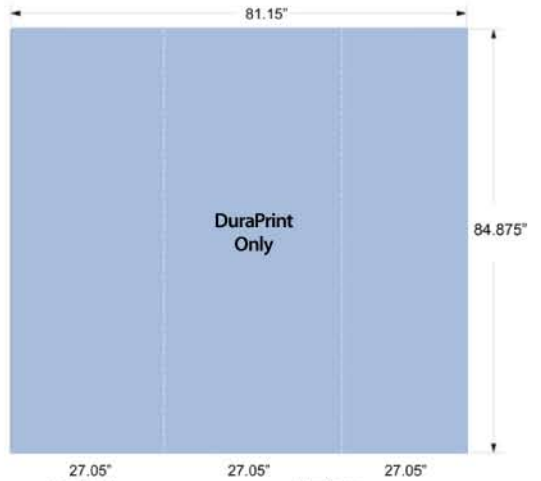
 = visible area

Dye Sub graphic panel

graphic w/ bleed
84" w x 83.5" h
live area
81" w x 80.5" h



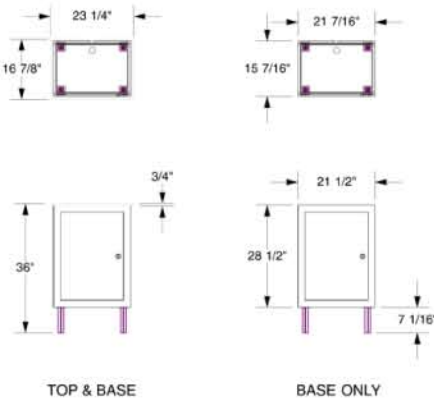
DuraPrint graphic panels



Front Panels:
Printing: Prepare file at 81.15"x84.875"
Cutting: Panels are cut at 27"x84"
Magnetting: Place right to edge on all 4 sides

Wing Panels:
Printing: Prepare file at size shown which include 1/4" bleed
Cutting: 1/4" from each side will trim off

Lineare Counter Dims



Alumalite Counter Dims

